

FPM-3171G

8U Rackmount, 17" SXGA Industrial Monitor with Resistive Touch Control, Direct VGA, DVI Ports, and a Wide Operating Temperature Range



Features

- 17" SXGA TFT LED LCD with 50K backlight lifetime
- Robust design with stainless steel chassis and aluminum front panel
- Anti-glare screen with tempered glass and IP65-certified front panel
- Lockable OSD control pad on rear cover
- Supports 24 V_{DC} power input
- Supports panel, wall, desktop, rack, or VESA arm mounting
- Supports 8U pre-drilled rackmount mounting holes

Introduction

FPM-3171G is a 17" color TFT LCD flat panel monitor specifically designed for industrial applications. With a display size of 17", FPM-3171G provides an adequate display area with sharp and vivid images. The monitor also supports direct VGA signal transmissions, allowing users to upgrade the displays without altering the existing infrastructure. The provision of OSD function keys makes it easy to adjust the onscreen display. Furthermore, the stainless steel chassis and IP65-rated aluminum front panel ensure suitability for industrial applications.

Specifications

General

- **OSD Controls** OSD control pad on front panel
- **Certification** BSMI, CCC, CE, FCC Class A, UL
- **Dimensions (W x H x D)** 482 x 354.8 x 63.5 mm (18.98 x 13.97 x 2.52 in)
- **Enclosure** Front panel: Aluminum with coating
Rear cover: Stainless steel chassis
- **Mount Options** Panel, wall, desktop, VESA arm, and 19" rackmount
- **Power Input** Phoenix Jack: 24 V_{DC} input
DC Jack: 12 V_{DC} Input
- **Power Consumption** 23W +20%
- **Video Port** VGA & DVI-D port
- **Weight (Net)** 9.25 kg (20.39 lb)

LCD Display

- **Display Type** 'SXGA TFT LCD with LED backlight
- **Display Size** 17"
- **Max. Resolution** 1280 x 1024
- **Max. Color** 16.7M
- **Viewing Angle (H/V °)** 160/140
- **Luminance (cd/m²)** 350
- **Backlight Life** 50,000 hr
- **Contrast Ratio** 1000:1

Touchscreen

- **Driver** Penmount 6000
- **Interface** RS-232 and USB
- **Lifespan** 35 million touches at a single point
- **Light Transmission** > 80%
- **OS Support** Windows XP,2000,Vista,7,8/8.1,10 , XP/7/8/10
Embedded,CE,Linux
- **Power Consumption** +5 V @ 100 mA
- **Touch Resolution** Linearity

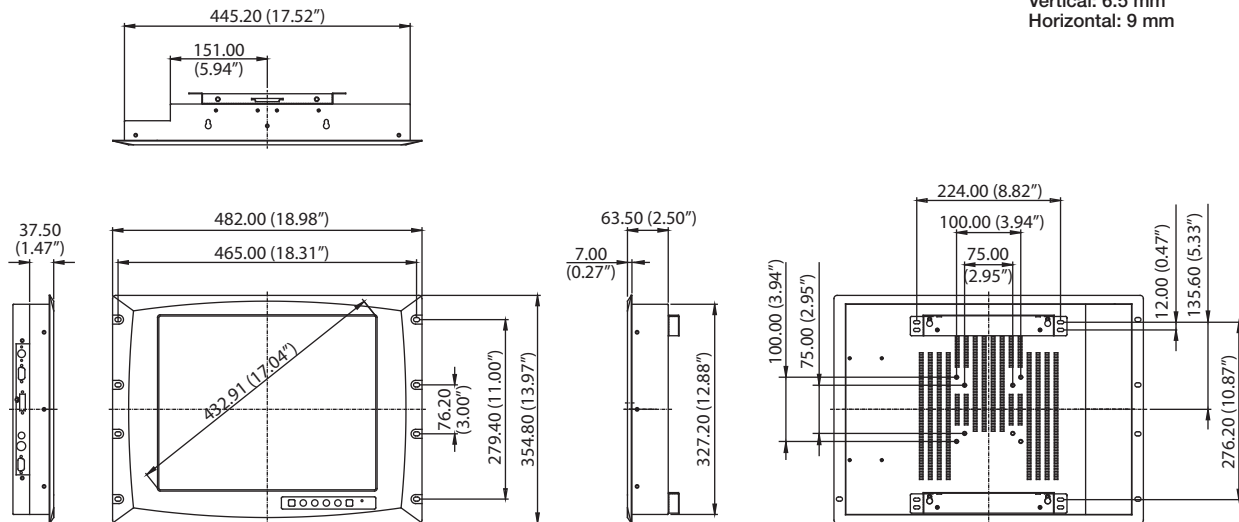
Environment

- **Operating Temperature** -20 ~ 60 °C (-4 ~ 140 °F)
- **Storage Temperature** -30 ~ 80 °C (-22 ~ 176 °F)
- **Humidity (Storage)** 90% @ 50 °C non-condensing
- **IP Rating** Front panel is IP65 compliant
- **Vibration** 5 ~ 500 Hz, 1 Grms (Operating, Random)

Dimensions

Unit: mm [inch]

Rackmount hole diameter
Vertical: 6.5 mm
Horizontal: 9 mm



Panel Cutout Dimensions: 447.2 x 329.2 mm (17.6 x 12.96 in)

Ordering Information

- FPM-3171G-R3BE 17"SVGA WT Ind. Monitor w/Resistive TS (Combo)

Optional Accessories

- 1702002600 Power Cable US Plug 1.8 M
- 1702002605 Power Cable EU Plug 1.8 M
- 1702031801 Power Cable UK Plug 1.8 M
- 1700000596-11 Power Cable China/Australia Plug 1.8 M (Direct rack mounting, no need accessory)
- 96PSA-A60W12V1-1 Adapter 100-240V 60W 12V 5A
- 96PSA-A60W24T2 Adapter 100-240V 60W 24V 2.5A
- FPM-3001G-ADKE Adapter bracket for FPM-3000 15"/17"/19"

I/O View

