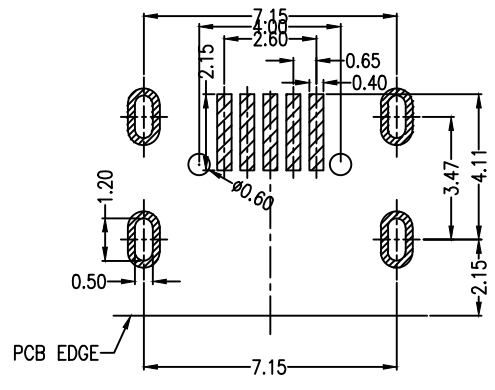
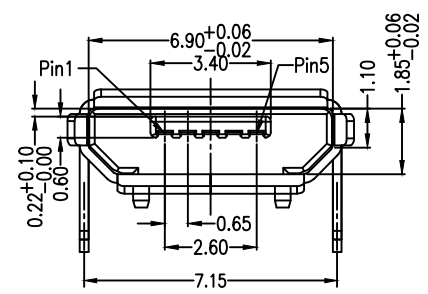
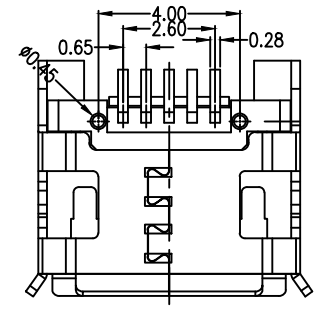
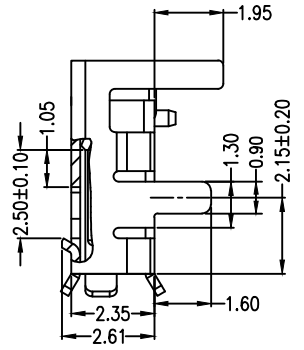
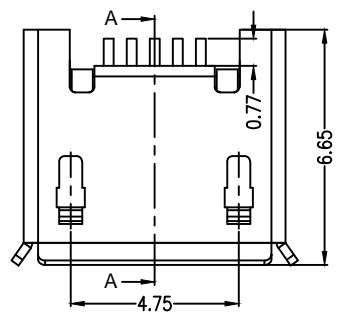
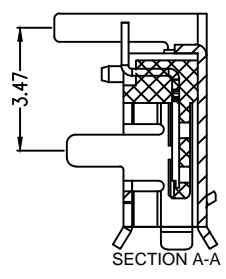
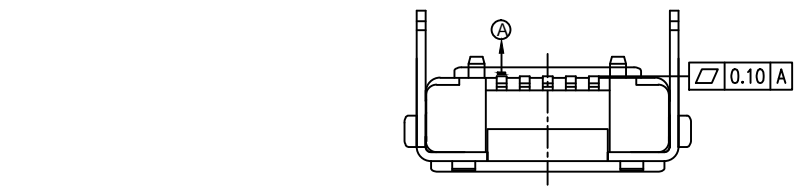


MAPX	MODIFICATION	DATE



- Note:
- Material:
    - Housing: High temperature thermoplastic with g.f,UL94v-0
    - Contact: copper alloy,t=0.20mm
    - Shell: copper alloy,t=0.25mm
  - Specification:
    - Current rating:1,5PIN 1.8A Max/2,3,4PIN 1A Max.
    - Dielectric withstanding voltage: 100 V(ac) for 1 min.
    - Contact resistance: 30 mΩ Max.
    - Insulation resistance: 100 MΩ Min.
    - Total mating force: 3.57 Kgf Max.
    - Total unmating force: 1.0 Kgf Min.
    - Temperature range: -30°C~80°C

产品图 PRODUCT CHART DWG		深圳市精拓金电子有限公司							
公差一览表 TOLERANCE UNLESS OTHERWISE		单位 UNITS	MM	制图 DRAWING	邱建辉	制图料号 PRODUCT PART NO.	920-A52A2021S10102		
X.	±0.35	X.	±5.°	比例 SCALE	1:1	审核 CHKD	郭治富	产品名称 PRODUCT NO.	MICRO 5S B型有边7.2四脚插板有柱前1.6后1.95端子加长0.75
.XX	±0.25	.XX	±1.°	日期 DATE	2012.09.24	核准 APPD	黄国荣	角法 VIEW	
.XXX	±0.15	.XXX	±0.5°					版本 VER	AD