

MAPX	MODIFICATION	DATE

SPECIFICATIONS:

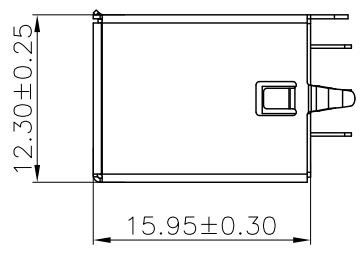
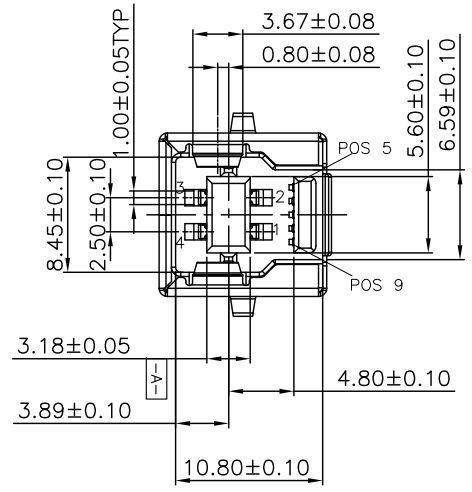
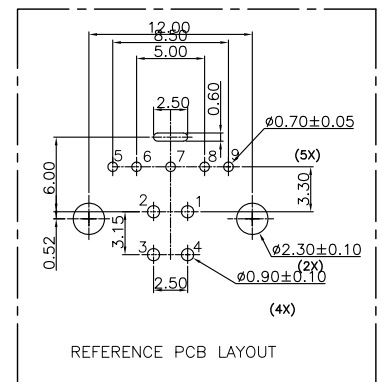
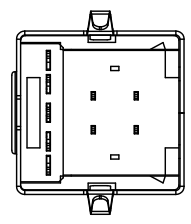
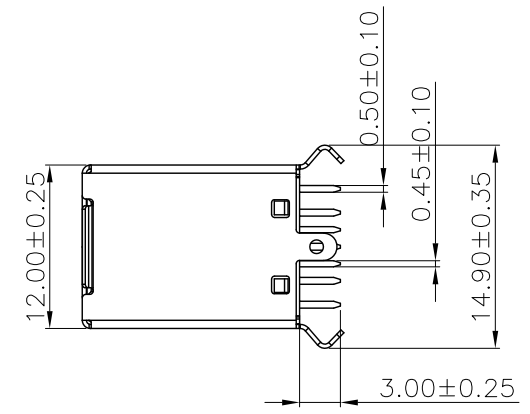
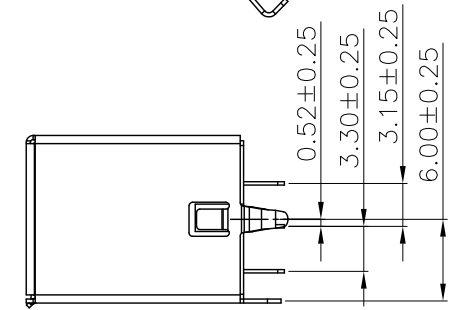
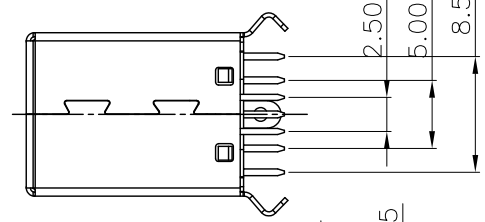
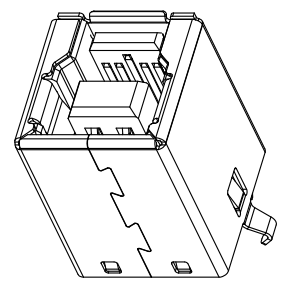
Contact current Rating:
 1.8 Amperes for pin1&pin4.
 0.25 Amperes other contacts

Dielectric Withstanding Voltage:AC 100V(RMS)
 Insulation resistance:100Megohms Minimum.
 Contact Resistance:
 30mΩ Max for pin1&pin4
 50mΩ Max for other contacts

Mechanical Characteristics:
 Mating Force:35 Newtons.Maximum
 Unmating Force:10 Newtons.MInimum.

MATERIAL: 8N Min After Durability
 Housing: PBT+30%GF 94V-0 COLOR:SEE TABLE
 Contact: copper alloy(T=0.25mm)
 Shell: SEE TABLE

PLATING:
 Contact: Au Plated(SEE TABLE) on contact area
 Tin Plated on solder area
 Nickel underplating over all
 Shell: Nickel Plated
 operating Temperature:-55° to+85°



产品图 PRODUCT CHART DWG		深圳市精拓金电子有限公司							
公差一览表 TOLERANCE UNLESS OTHERWISE		单位 UNITS	MM	制图 DRAWING	尹先华	制图料号 PRODUCT PART NO.	921-112A1050Y10200		
X.	±0.35	X.	±5°	比例 SCALE	1:1	审核 CHKD	郭治富	产品名称 PRODUCT NAME	BF 180度3.0弯脚铜壳蓝胶
.XX	±0.20	.XX	±1°	日期 DATE	2021-04-15	核准 APPD	黄国荣	角法 VIEW	版本 VER
.XXX	±0.10	.XXX	±0.5°					角法 VIEW	AD