



Frontier Electronics Corp.

667 E. COCHRAN STREET, SIMI VALLEY, CA 93065
 TEL: (805) 522-9998 FAX: (805) 522-9989
 E-mail: frontiersales@frontierusa.com
 Web: frontierusa.com

RF Signal Choke—3361I-series

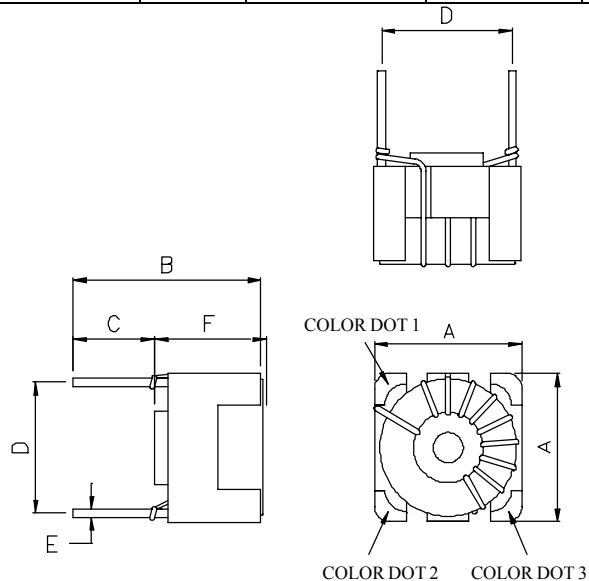
A. Specifications:

Part Number	Color Dots			Inductance (nH) ± 5%	Q	Test Freq. (MHz)	DCR(Ω) Max.	Rated Current (mA)
	1	2	3					
3361I-090	BLK	WHT	BLK	90	80	100	0.035	600
3361I-100	BRN	BLK	BLK	100	80	100	0.035	600
3361I-110	BRN	BRN	BLK	110	80	100	0.035	600
3361I-120	BRN	RED	BLK	120	80	100	0.035	600
3361I-130	BRN	ORG	BLK	130	80	100	0.035	600
3361I-140	BRN	YEL	BLK	140	80	100	0.045	600
3361I-150	BRN	GRN	BLK	150	80	100	0.045	600
3361I-165	BRN	BLU	GRN	165	80	100	0.045	600
3361I-180	BRN	GRY	BLK	180	80	100	0.045	600
3361I-200	RED	BLK	BLK	200	80	100	0.045	600
3361I-220	RED	RED	BLK	220	80	100	0.058	600
3361I-240	RED	YEL	BLK	240	70	100	0.058	600
3361I-280	RED	GRY	BLK	280	70	100	0.058	600
3361I-310	ORG	BRN	BLK	310	70	100	0.058	600
3361I-350	ORG	GRN	BLK	350	70	100	0.058	600

B. Mechanical Dimensions:

UNIT: mm

	DIM.	TOL.
A	6.0	±0.5
B	8.0	+1.0/-0.5
C	3.0	+1.0/-0.5
D	4.5	±0.5
E	0.5φ	±0.05
F	6.5	MAX.



C. General information:

1. For high frequency up to 1.0GHz.
2. High Q up to 150MHz.
3. Electrical specifications at 25°C.
4. Temperature stability: 155ppm/°C.
5. Operating temperature: -30°C TO +85°C.
6. Tolerance for ± 1% is available upon request.
7. For LC filter, CATV diplex filter.

★ Custom specifications are available.

Note: **RoHS** compliant; for the **ROHS** parts, we add “-LFR” at the end of the P/N.