



MEA-868-SM-LP

External 868 MHz ISM Screw Mount
Part #: 100-00172-01

Description

The MEA-868-SM-LP is a high gain & efficiency antenna to be used for 868MHz wireless applications. This external mount rugged antenna is ideal for high performance outdoor or indoor applications. It is designed for IOT, Telematics and remote metering mesh installations and systems. The high efficiency and gain along with the omni-directional properties provide this antenna a consistent and stable long range connectivity with high throughput data to devices for 868MHz needs. The antenna housing consist of black UV resistant rugged plastics and a heavy-duty metal base for optimal installations. The cable & connector are customizable.

Electrical Specifications

Parameter	Specification
Frequency Range	863-870 MHz
Band	868 MHz
Return Loss	-10.4 dB
VSWR	1.9:1
Efficiency	32.7%
Peak Gain	-0.8 dBi
Average Gain	-4.9 dB
Impedance	50 Ω
Polarisation	Linear
Radiation Pattern	Omni-Directional
Max. Input Power	25 W

Mechanical Specification

Parameter	Specification
Antenna Dimensions	\varnothing 50 x 50.8 mm
Operating Temperature	-40°C to 85°C
Connector Type	SMA-Male Standard
Mounting Type	Screw Mount
Random	ASA
Radome color	Black
Substance Compliance	RoHS
Certificates	IP67, IP69

*Mounted on Ground Plane of 30 x 30 cm

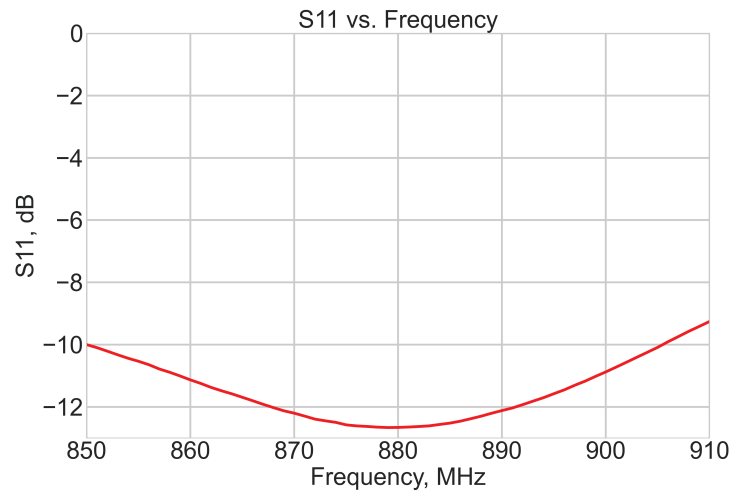
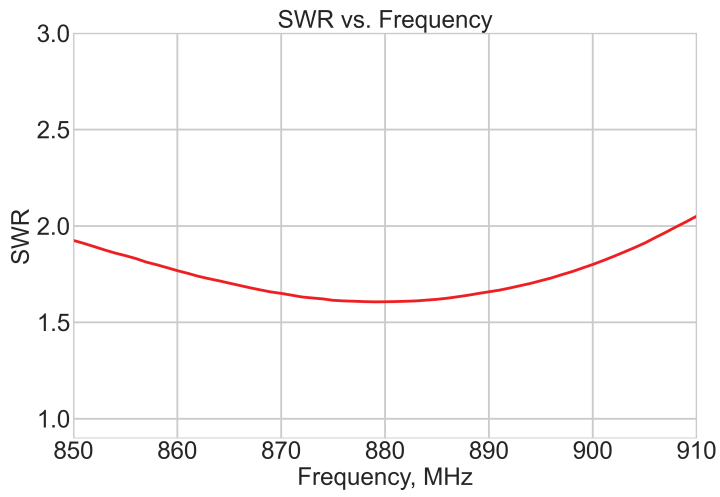


Features

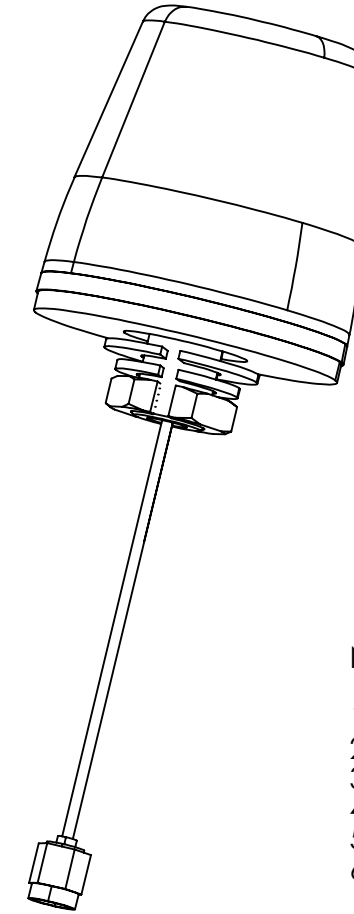
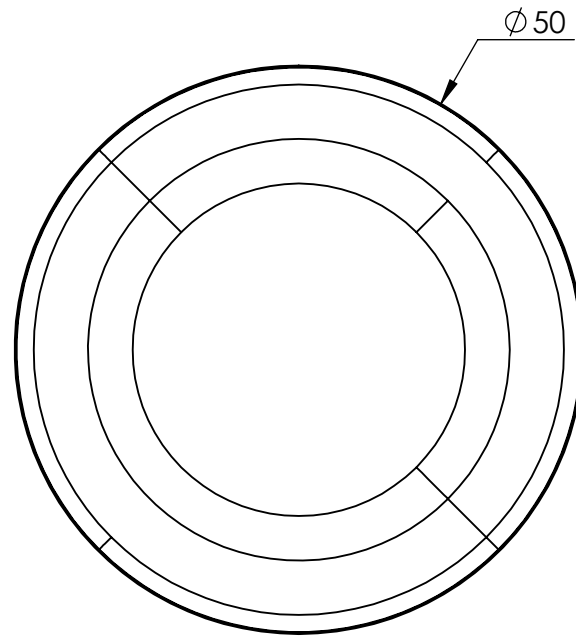
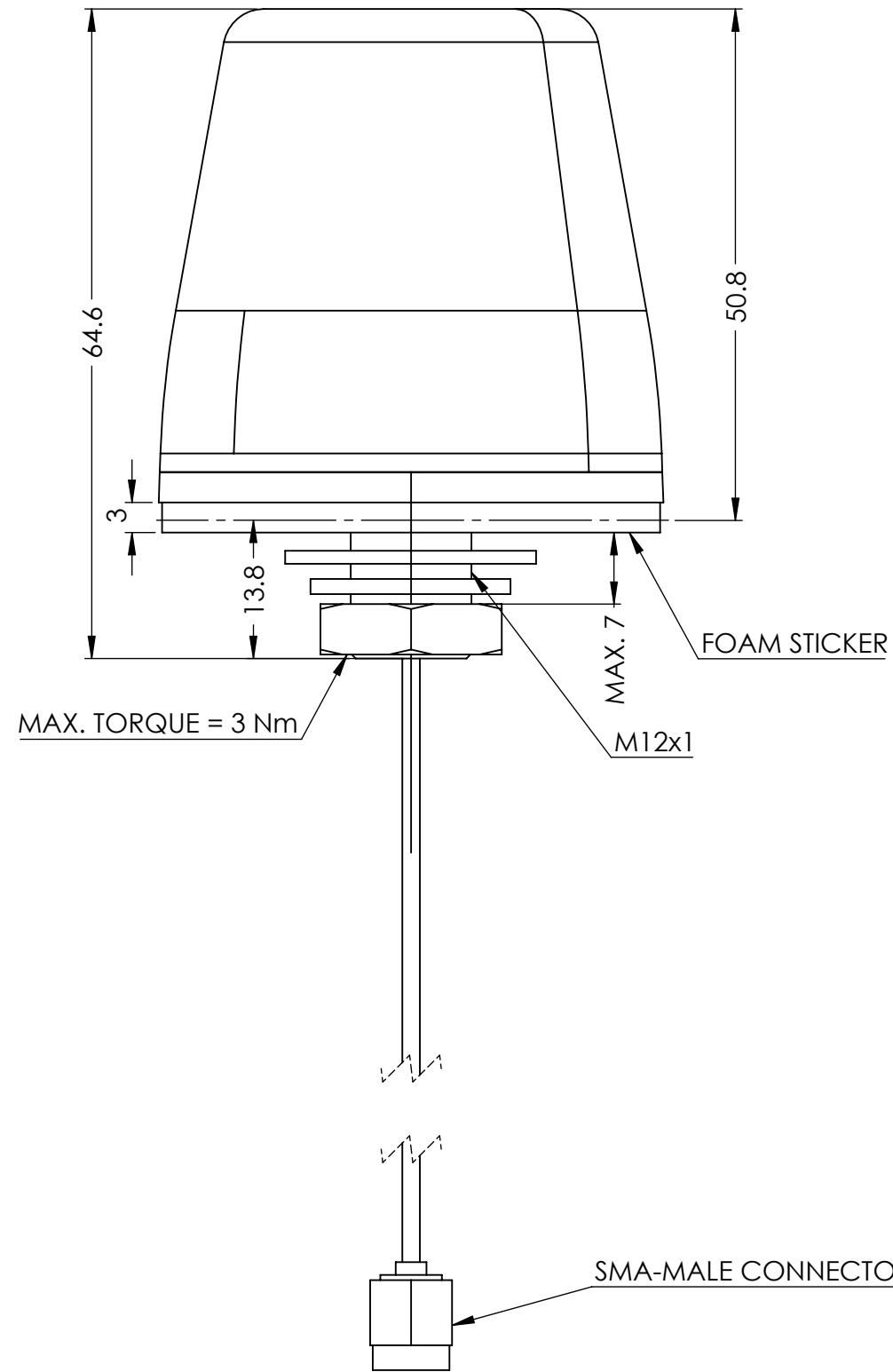
- 868 MHz ISM - 863-870 MHz
- Screw Mount
- Anti-Rotation Mechanism
- Ground Plane Independent
- Customizable Cable and Connector
- Dimensions: \varnothing 50 x 50.8 mm
- IP67, IP69

Applications

- Remote mesh networks
- Smart meters
- IOT
- Public Safety



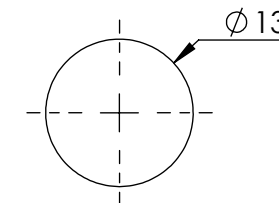
DRAWING REVISION HISTORY			
REV	DESCRIPTION	DATE	BY
A	INITIAL RELEASE	2021-07-15	SZ



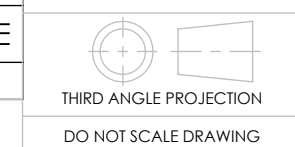
NOTES:

1. FREQUENCY: 863 - 870 MHz
2. DIMENSIONS ARE AFTER MOUNTING
3. CUSTOMIZABLE CABLE AND CONNECTOR TYPE
4. MOUNTING TYPE: SCREW MOUNT
5. MAX MOUNTING THICKNESS: 7 mm
6. MATERIALS:
 - RADOME: ASA
 - RADOME COLOR: BLACK
 - ANTENNA BASE: ZAMAK
 - GASKET: DOUBLE SIDED FOAM
7. OPERATING TEMPERATURE: -40 °C TO +85 °C
8. STORAGE TEMPERATURE: -40 °C TO +85 °C
9. CERTIFICATION: IP67, IP69

MOUNTING HOLE:



UNLESS OTHERWISE SPECIFIED:			
	NAME	DATE	
DIMENSIONS ARE IN MM	DRAWN	SZ	2021-07-15
TOLERANCES:	CHECKED	ZX	2021-07-15
FRACTIONAL: ±	ENG APPR.	NPC	2021-07-15
ANGULAR: MACH ± .5° BEND ±	MFG APPR.		
INTEGER ± 2	Q.A.		
ONE PLACE DECIMAL ± 1.0			
TWO PLACE DECIMAL ± .50			
INTERPRET GEOMETRIC TOLERANCING PER:			



CAD MAINTAINED. CHANGES SHALL BE INCORPORATED BY THE DESIGN ACTIVITY.

MAXTENA, INC
 TITLE: 100-00172
 MEA-868-SM-LP

SIZE	DWG. NO.	REV
B	117-00435-01	A
CAGE CODE: 5KQH7		SHEET 1 OF 1
SCALE: NONE		

ITEM 100-00172 REVISION HISTORY			
REV	DESCRIPTION	DATE	BY
A	INITIAL RELEASE	2021-07-15	SZ

100-00172 CONFIGURATION TABLE			
DASH NO	CABLE TYPE	CABLE LENGTH	CONNECTOR TYPE
-01	DACAR100	300 cm	SMA-MALE

PROPRIETARY AND CONFIDENTIAL
 THE INFORMATION CONTAINED IN THIS DRAWING IS THE SOLE PROPERTY OF MAXTENA, INC. ANY REPRODUCTION IN PART OR AS A WHOLE WITHOUT THE WRITTEN PERMISSION OF MAXTENA, INC IS PROHIBITED.