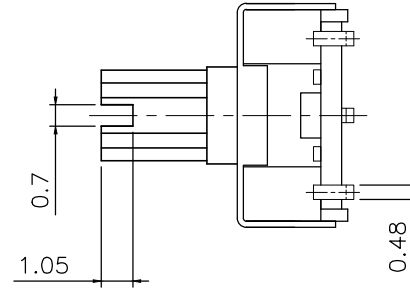
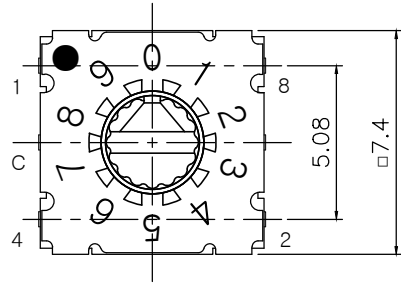
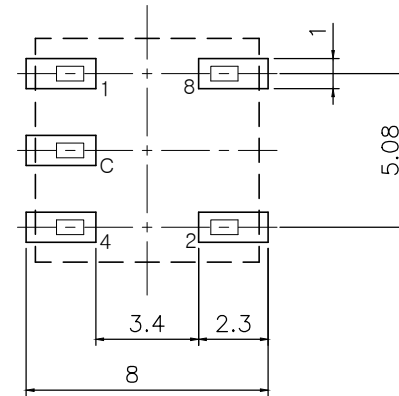
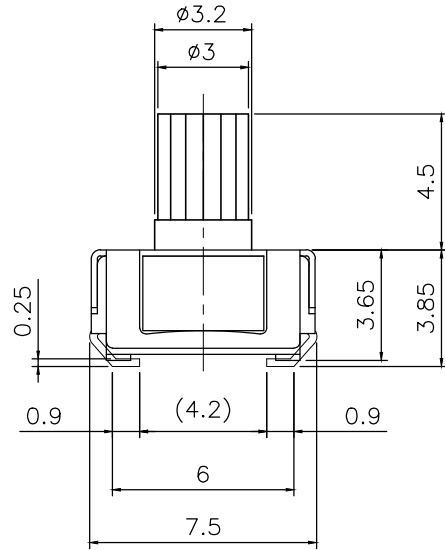


MRK.	DATE	REVISION	SIGN
△			



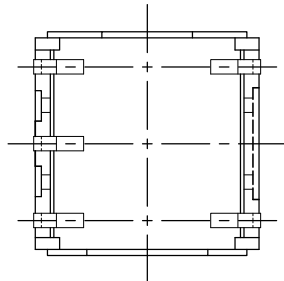
**SPECIFICATION**

- Operating Voltage : 42V  
(None-Switching : 400mA)  
(Switching : 100mA)
- Contact Resistance : 80mΩ Max
- Insulation Resistance : 100MΩ Min
- Operating Force : 120gf.cm ±30 Max
- Life Cycle : 25,000 steps
- Sealing : Comparable IP67



P.C.B DIMENSION

		Real Coded				
		C	1	2	4	8
10 P o s i t i o n	0	●				
	1	●	●			
	2	●		●		
	3	●	●	●		
	4	●			●	
	5	●	●		●	
	6	●		●	●	
	7	●	●	●	●	
	8	●				●
	9	●	●			
16 P o s i t i o n	A	●		●		●
	B	●	●	●		●
	C	●			●	●
	D	●	●			
	E	●		●	●	●
	F	●	●	●	●	●



DRAW/DESIGNED	CHECKED	APPROVED	G.TOL ±0.1	TITLE	MSDR-10JC		
				UNIT mm	SCALE 4:1	MODEL	MINI ROTARY SWITCH
2017-09-25			SIZE A4	DRAW NO.	MSSR-10JC-01	1/1	
SUNG MUN ELECTRONICS CO.,LTD							