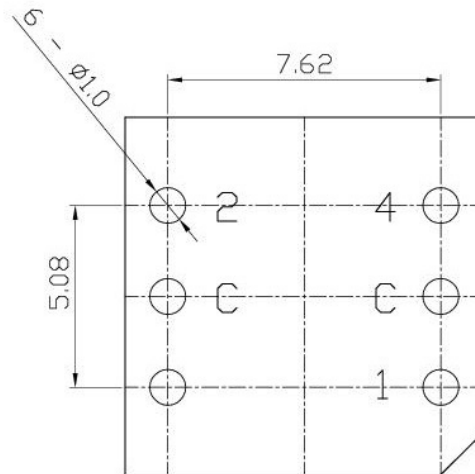
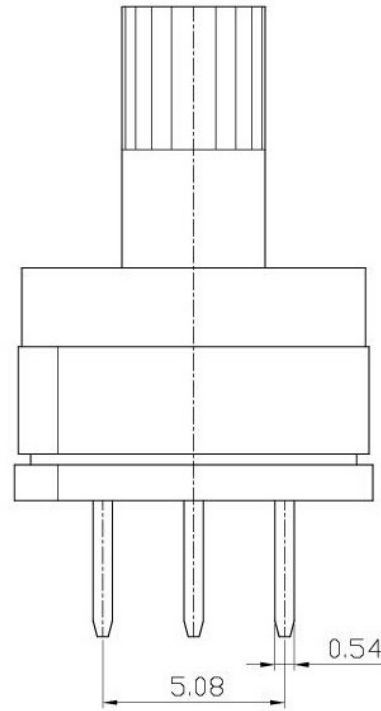
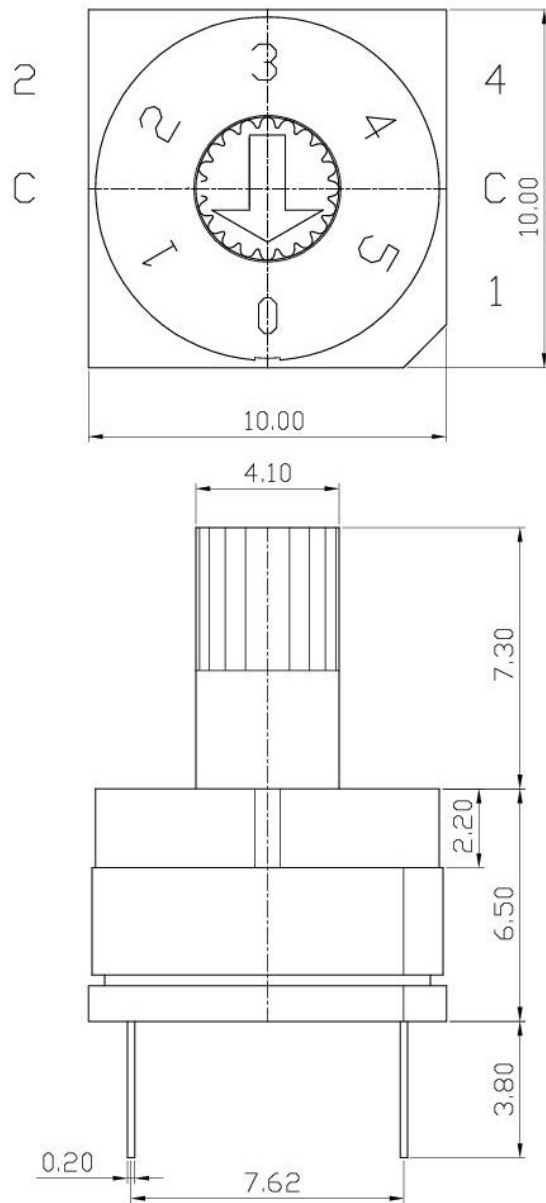


MARK	DATE	REMARKS
△		
△		



P.C.B DIMENSION

### SPECIFICATION

1. Rating : 150mA, 42V DC (Switching)  
200mA, 42V DC (None-Switching)
2. Contact Resistance : 80mΩ Max
3. Insulation Resistance : 100MΩ Min
4. Operating Force : 700gf Max
5. Life cycle : 10,000 steps

		Real Coded				
		C	1	2	4	8
P o s i t i o n	0	●				
	1	●	●			
	2	●		●		
	3	●	●	●		
	4	●			●	
	5	●	●		●	

APPD	CHKD	D'SGD	TITLE. ROTARY DIP SWITCH		
K.L LEE	J.P ROH	J.S SIN	MODEL NO.	TSR-06	REV A
SUNGUN ELECTRONICS CO., LTD.					