

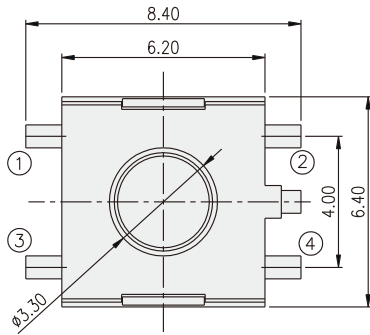


TACT SWITCH  
**DTS(G)(L)(F)-6** SERIES

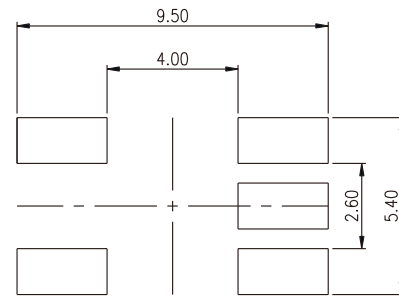
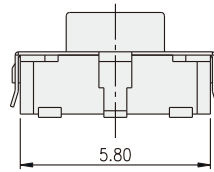
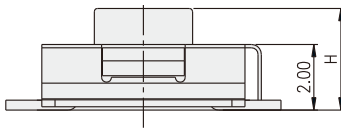
6x6 Thinner Type With Ground Terminal  
 (Pitch 4.0mm)



DTSGF-6



PART NO.	H
DTSGF-60	2.00
DTSGF-61	2.50
DTSGF-62	3.10



P.C.B. LAYOUT

TACT SWITCH