



MME-01-11-P

Wall mount Bracket

Part #: 311-00052-01

Mechanical Specifications

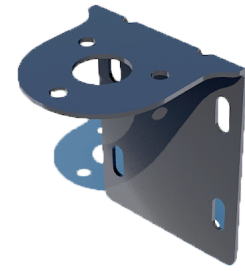
Parameter	Specification
Material	Aluminum
M4 Screw Material	Zn - Fe
Weight	30g
Operating environment	-40 to 85°C

Features

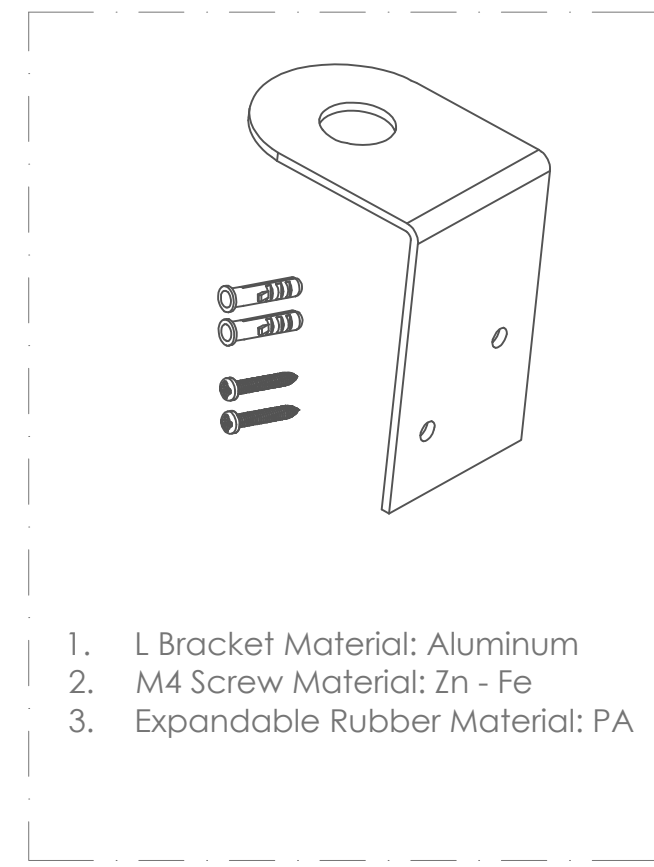
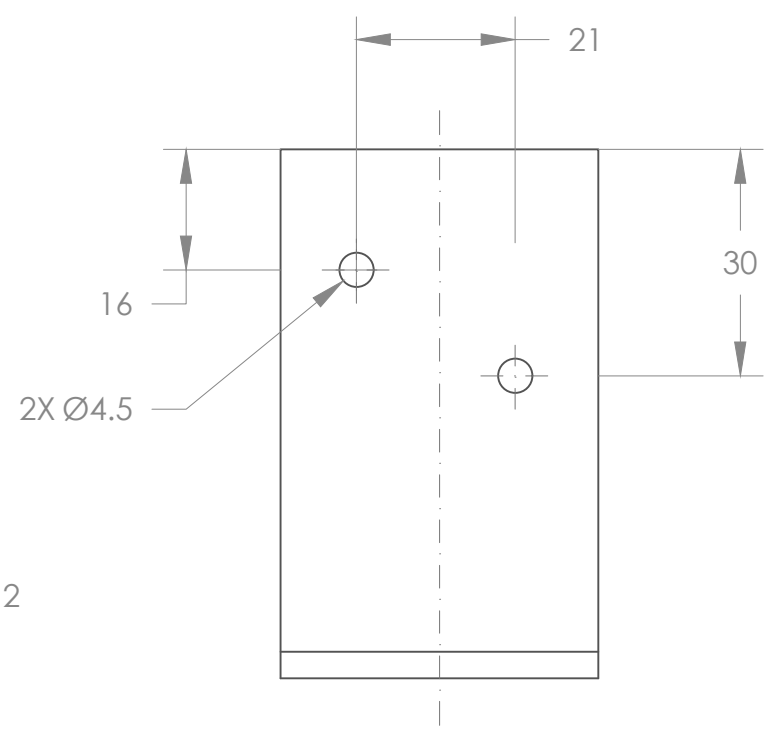
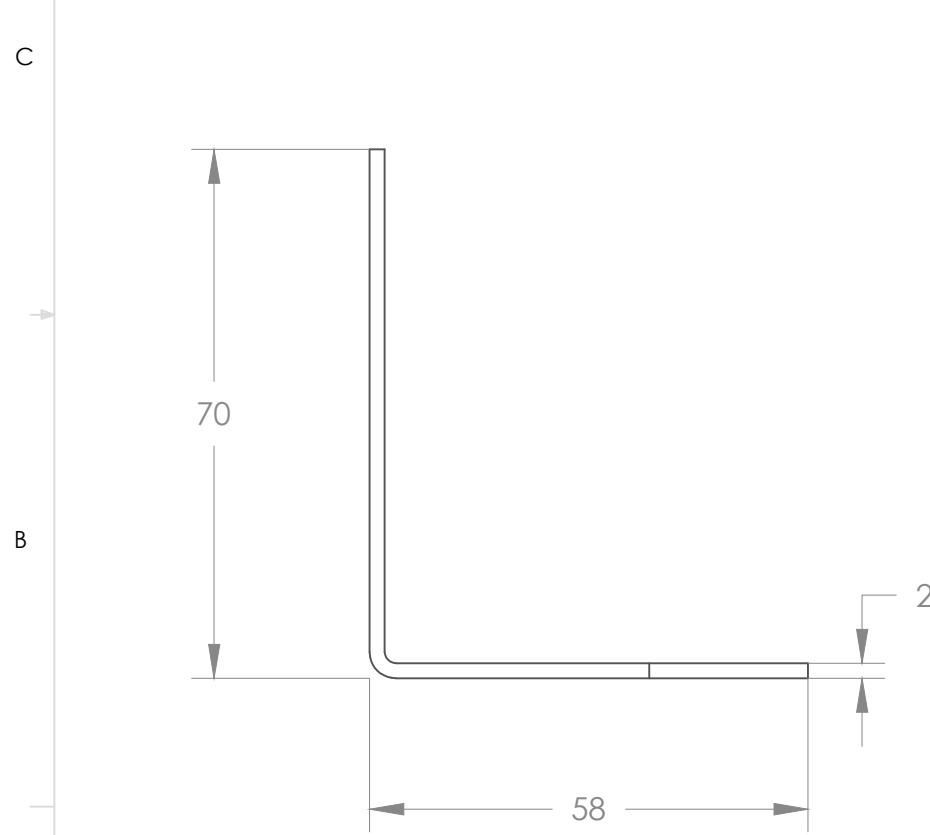
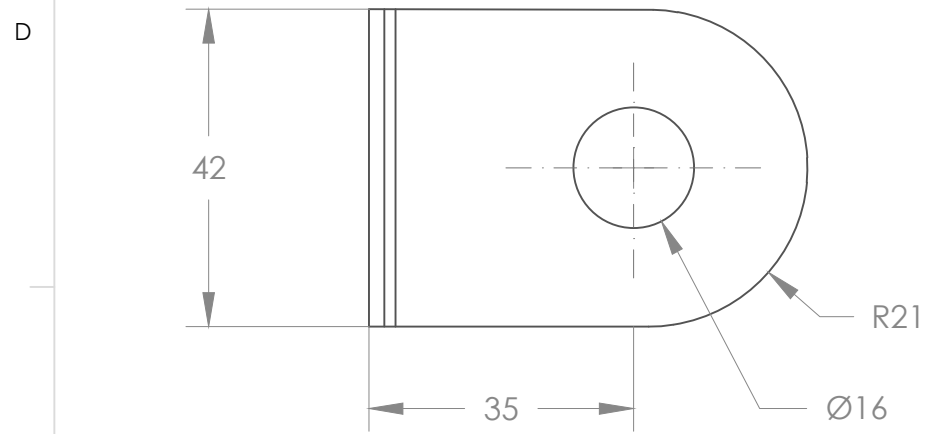
- Easy to mount
- Wall mount Antenna
- Very light: 30g
- ROHS Compliant
- Robust design
- Screws included

Application

- Wall mounting
- Fits a variety of antenna types



DRAWING REVISION HISTORY			
REV	DESCRIPTION	DATE	BY
A	INITIAL RELEASE	2021-04-15	OR



1. L Bracket Material: Aluminum
2. M4 Screw Material: Zn - Fe
3. Expandable Rubber Material: PA

ITEM 311-00052-01 REVISION HISTORY			
REV	DESCRIPTION	DATE	BY
A	INITIAL RELEASE	2021-04-15	OR

PROPRIETARY AND CONFIDENTIAL

THE INFORMATION CONTAINED IN THIS DRAWING IS THE SOLE PROPERTY OF MAXTENA, INC. ANY REPRODUCTION IN PART OR AS A WHOLE WITHOUT THE WRITTEN PERMISSION OF MAXTENA, INC IS PROHIBITED.

UNLESS OTHERWISE SPECIFIED:	NAME	DATE
DIMENSIONS ARE IN MM	DRAWN	OR 2021-04-15
TOLERANCES:	CHECKED	ZX 2021-04-15
FRACTIONAL ±	ENG APPR.	NPC 2021-04-15
ANGULAR: MACH ± .5° BEND ±	MFG APPR.	
ONE PLACE DECIMAL ± 1.0	Q.A.	
TWO PLACE DECIMAL ± 0.5		
INTERPRET GEOMETRIC TOLERANCING PER:		
	CAD MAINTAINED. CHANGES SHALL BE INCORPORATED BY THE DESIGN ACTIVITY.	
THIRD ANGLE PROJECTION		
DO NOT SCALE DRAWING		

MAXTENA, INC		
TITLE:		
311-00052-01		
MMB-01-11		
SIZE	DWG. NO.	REV
B	117-00448-01	A
CAGE CODE: 5KQH7	SCALE: NONE	SHEET 1 OF 1