



Total Power International, Inc.

DUAL SELECTABLE AC INPUT AC-DC 19" COMPATIBLE EUROCARD MULTI-OUTPUT 45-100 WATTS SWITCHING MODE POWER SUPPLIES TPSU45, TPSU60 & TPSU100 SERIES



FEATURES:

- DUAL INPUT RANGE USER SELECTABLE
- 19" COMPATIBLE EUROCARD FORMAT
- MEET THE SAFETY STANDARDS
- EMI MEET CISPR PUB. 22 & FCC CLASS B
- CE MARKING COMPLIANCE
- TPSU45: 3U x 6HP x 160MM VMEbus STANDARD
- TPSU60: 3U x 8HP x 160MM VMEbus STANDARD
- TPSU100: 3U x 10HP x 160MM VMEbus STANDARD

SPECIFICATION

INPUT SPECIFICATION

Input Voltage: 115Vac/230Vac dual selectable.
Input Connector: DIN 41612 at rear.
Input Frequency: 47-63Hz.
Inrush Current: Typ. 25A @230Vac.
Input Current: TPSU45 0.88A@115Vac/0.44A@230Vac.
 Use T2.0A/250Vac fuse.
 TPSU60 1.2A@115Vac/0.7A@230Vac.
 Use T2.5A/250Vac fuse.
 TPSU100 2.2A@115Vac/1.2A@230Vac.
 Use T3.15A/250Vac fuse.

Dielectric Withstand: Meet IEC 60950-1.
EMI: Meet CISPR PUB. 22 & FCC Class B.
Power Fail Signal: Installed.
Remote (Logic) Inhibit: Available.
Hold-up Time: Typ. 20mS @115Vac/50mS @230Vac.
Earth leakage: Typ. 0.3mA @230Vac.

OUTPUT SPECIFICATION

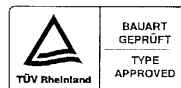
Output Voltage: See Ratings Chart.
Output Current: See Ratings Chart.
Output Wattage: Typ. 45 Watts for TPSU45.
 Typ. 60 Watts for TPSU60.
 Typ. 100 Watts for TPSU100.
Output Connector: DIN 41612 at rear.
Line Regulation: Typ. 0.4%.
Load Regulation: Main VO1 typ. $\pm 1.0\%$.
 Aux. VO2 typ. $\pm 2-3.0\%$ (PR).
 $\pm 2.0\%$ (Mag. Amp.)
 Aux. VO3 typ. $\pm 2-3.0\%$ (PR).
 Aux. VO4 typ. $\pm 2-3.0\%$ (PR).
Noise & Ripple: Typ. 1% peak to peak.
OVP: Built-in at main VO1 (latch).
Adjustability: Available at main output VO1 and
 Aux. output VO2 (Mag. Amp.).
Remote Sense: Installed in main VO1.
Overload Protection (OLP): Fully protected against
 output overload and short circuit.
 Consult the factory for OLP setting.

GENERAL SPECIFICATION

Efficiency: Typ. 70-75%.
Switching Frequency: Typ. 100K Hz.
Circuit Topology: Forward circuit.
Transient Response: Typ. 3mS following a 25% load-change.
Safety Standard: IEC 60950-1/UL 60950-1 Class I.
Power Density: 1.4 Watts/Cubic Inch for TPSU45 & TPSU60
 1.9 Watts / Cubic Inch for TPSU100.

Operating Temperature: 0 to +50°C at full load.
 Derates linearly to +70°C at half load.
Storage Temperature: -20 to +85°C.
Temperature Coefficient: Typ. 0.04%/°C.
Cooling: Free air convection cooling.
Construction format: 6,8,10HP(TE) X 3U X 160mm
 19" compatible Eurocard VMEbus standard.

Note: Due to requests in market and advances in technology, specifications subject to change without notification.



For the details of safety approval, please consult the factory.



Total Power International, Inc.

OUTPUT VOLTAGE / CURRENT RATINGS CHART

TPSU45 Series

SINGLE OUTPUT

MODEL NO.	MAIN VO1 ★@#	
	Typ.	Volt.
TPSU45-10/(E)	9.0A	5.0V
TPSU45-11	4.0A	12.0V
TPSU45-11/(E)	3.7A	12.0V
TPSU45-12/(E)	3.0A	15.0V
TPSU45-13/(E)	2.0A	24.0V

(E) With gas-tube for safety purpose.

DUAL OUTPUT

MODEL NO.	MAIN VO1 ★@#		AUX. VO2 ◇●	
	Typ.	Volt.	Typ.	Volt.
TPSU45-20	4.0A	5.0V	2.0A	12.0V
TPSU45-21	2.0A	12.0V	1.5A	12.0V
TPSU45-22	4.0A	5.0V	1.2A	15.0V
TPSU45-23	1.5A	15.0V	1.5A	15.0V
TPSU45-24	4.0A	5.0V	1.0A	24.0V
TPSU45-25	1.0A	24.0V	1.0A	24.0V

TRIPLE OUTPUT

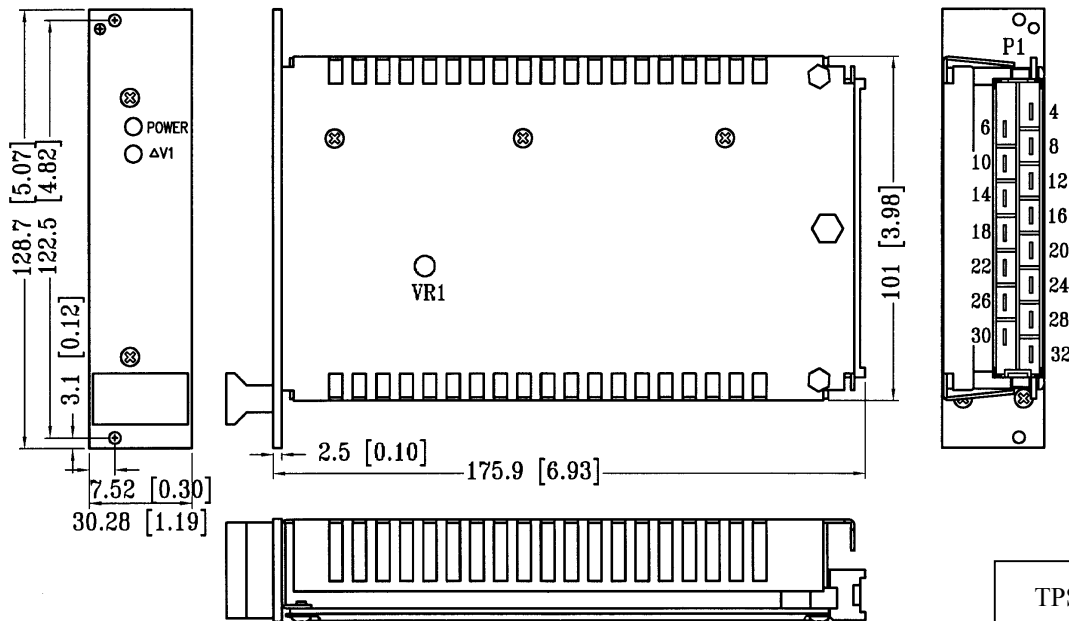
MODEL NO.	MAIN VO1 ★@#		AUX. VO2 ◇●		AUX. VO3 ◇●	
	Typ.	Volt.	Typ.	Volt.	Typ.	Volt.
TPSU45-30	3.0A	5.0V	2.0A	12.0V	0.5A	5.0V
TPSU45-31	3.0A	5.0V	2.0A	15.0V	0.5A	15.0V
TPSU45-32	3.0A	5.0V	2.0A	12.0V	0.5A	12.0V
TPSU45-33	3.0A	5.0V	1.0A	24.0V	0.5A	12.0V

Symbol: "★" OVP built-in. "@#" Adjustable. "#" Remote sensing. "▲" Magnetic Amplifier.

"●" Installed with Post Regulator. "◇" Floating (or isolated) output.

MECHANICAL DIMENSIONS: MM [INCHES]

WEIGHT: TPSU45 537.0g (18.94 Oz.)



TPSU45

INPUT & OUTPUT CONNECTORS PIN ASSIGNMENTS

ASSIGNMENT	AC INPUT			SINGLE/DUAL/TRIPLE OUTPUT							ASSORTED SIGNAL			
	AC-L	AC-N	AC-G	+VO1	-VO1	+VO2	-VO2	+VO3	-VO3	NC	LOG. INH.	+S	-S	POWER FAIL
TPSU45-1X	28	30	32	4,6	12,14	-	-	-	-	16,18,24,26	20	8	10	22
TPSU45-2X	28	30	32	4	6	8	10	-	-	12,14,16,18,24,26	20	-	-	22
TPSU45-3X	28	30	32	4,6,	8,10	12	14	16	18	24,26	20	-	-	22

Mating connector: DIN41612-H15 Female



Total Power International, Inc.

OUTPUT VOLTAGE / CURRENT RATINGS CHART

TPSU60 Series

SINGLE OUTPUT

MODEL NO.	MAIN VO1 ★@#	
	Typ.	Volt.
TPSU60-10	12.0A	5.0V
TPSU60-10B1	10.0A	6.0V
TPSU60-11	5.0A	12.0V
TPSU60-12	4.0A	15.0V
TPSU60-13	2.5A	24.0V
TPSU60-15	3.0A	19.0V

DUAL OUTPUT

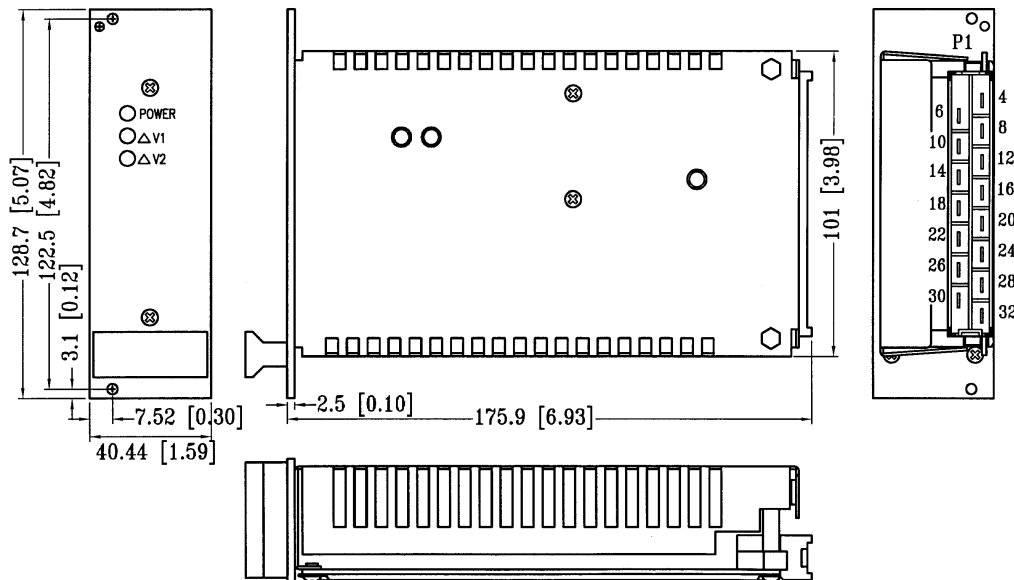
MODEL NO.	MAIN VO1 ★@#		AUX. VO2 ◇▲	
	Typ.	Volt.	Typ.	Volt.
TPSU60-20	5.0A	5.0V	3.0A	12.0V
TPSU60-21	2.5A	12.0V	2.5A	12.0V
TPSU60-22	5.0A	5.0V	2.5A	15.0V
TPSU60-23	2.0A	15.0V	2.0A	15.0V
TPSU60-24	5.0A	5.0V	1.5A	24.0V
TPSU60-25	1.4A	24.0V	1.4A	24.0V

TRIPLE OUTPUT

MODEL NO.	MAIN VO1 ★@#		AUX. VO2 ◇▲		AUX. VO3 ◇●	
	Typ.	Volt.	Typ.	Volt.	Typ.	Volt.
TPSU60-30	5.0A	5.0V	2.5A	12.0V	1.0A	5.0V
TPSU60-31	5.0A	5.0V	2.0A	12.0V	0.5A	15.0V
TPSU60-32	5.0A	5.0V	2.5A	12.0V	0.5A	12.0V
TPSU60-33	5.0A	5.0V	1.5A	24.0V	0.5A	12.0V

Symbol: "★" OVP built-in. "@# Adjustable. "# Remote sensing. "▲" Magnetic Amplifier.
 "●" Installed with Post Regulator. "◇" Floating(or isolated) output.

MECHANICAL DIMENSIONS: MM [INCHES]WEIGHT: TPSU60 707.0g (24.94 Oz.)



TPSU60

INPUT & OUTPUT CONNECTORS PIN ASSIGNMENTS

ASSIGNMENT	AC INPUT			SINGLE/DUAL/TRIPLE OUTPUT							ASSORTED SIGNAL			
	AC-L	AC-N	AC-G	+VO1	-VO1	+VO2	-VO2	+VO3	-VO3	NC	LOG. INH.	+S	-S	POWER FAIL
TPSU60-1X	28	30	32	4,6	12,14	-	-	-	-	16,18,24,26	20	8	10	22
TPSU60-2X	28	30	32	4	6	8	10	-	-	12,14,16,18,24,26	20	-	-	22
TPSU60-3X	28	30	32	4,6,	8,10	12	14	16	18	24,26	20	-	-	22

Mating connector: DIN41612-H15 Female



Total Power International, Inc.

OUTPUT VOLTAGE / CURRENT RATINGS CHART

TPSU100 Series

SINGLE OUTPUT

MODEL NO.	MAIN VO1 ★@# Typ. Volt.
TPSU100-10	20.0A 5.0V
TPSU100-11	8.0A 12.0V
TPSU100-12	7.0A 15.0V
TPSU100-13	4.2A 24.0V
TPSU100-16	3.6A 28.0V
TPSU100-18	2.0A 48.0V

DUAL OUTPUT

MODEL NO.	MAIN VO1 ★@# Typ. Volt.	AUX. VO2 ◇▲ Typ. Volt.
TPSU100-20	8.0A 5.0V	5.0A 12.0V
TPSU100-21	4.2A 12.0V	4.2A 12.0V
TPSU100-22	8.0A 5.0V	4.0A 15.0V
TPSU100-23	3.4A 15.0V	3.4A 15.0V
TPSU100-24	8.0A 5.0V	2.5A 24.0V
TPSU100-25	2.1A 24.0V	2.1A 24.0V
TPSU100-26E	8.0A 12.0V	0.5A 24.0V

TRIPLE OUTPUT

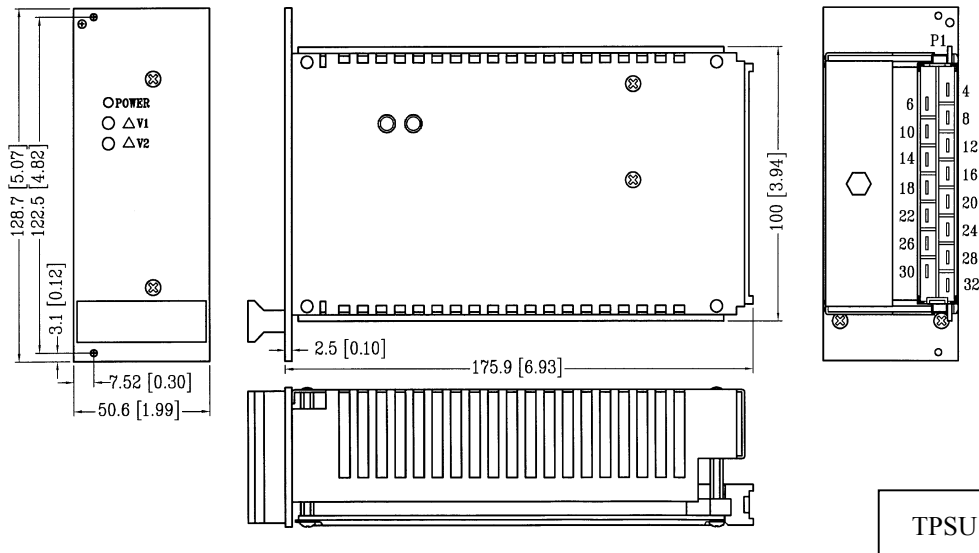
MODEL NO.	MAIN VO1 ★@# Typ. Volt.	AUX. VO2 ◇▲ Typ. Volt.	AUX. VO3 ◇● Typ. Volt.
TPSU100-30	7.0A 5.0V	5.0A 12.0V	1.0A 5.0V
TPSU100-31	6.0A 5.0V	4.0A 15.0V	0.6A 15.0V
TPSU100-32	7.0A 5.0V	5.0A 12.0V	0.5A 12.0V
TPSU100-33	7.0A 5.0V	2.5A 24.0V	0.5A 12.0V

QUAD OUTPUT

MODEL NO.	MAIN VO1 ★@# Typ. Volt.	AUX. VO2 ■† Typ. Volt.	AUX. VO3 ◇● Typ. Volt.	AUX. VO4 ◇● Typ. Volt.
TPSU100-48	4.0A 12.0V	2.0A 24.0V	0.5A 12.0V	0.5A 12.0V
TPSU100-Q050MII	10.0A 5.0V	1.0A 24.0V	1.0A 12.0V	1.0A 12.0V
TPSU100-Q050QII	10.0A 5.0V	1.0A 48.0V	0.5A 12.0V	0.5A 12.0V

Symbol: "★" OVP built-in. "@" Adjustable. "#" Remote sensing. "▲" Magnetic Amplifier. "●" Installed with Post Regulator.
 "†" Stacked on main output. "◇" Floating(or isolated) output. "■" Couple common choke.

MECHANICAL DIMENSIONS: MM [INCHES]WEIGHT: TPSU100 943.0g (33.26 Oz.)



INPUT & OUTPUT CONNECTORS PIN ASSIGNMENTS

ASSIGNMENT	AC INPUT			SINGLE/DUAL/TRIPLE/QUAD OUTPUT									ASSORTED SIGNAL			
	AC-L	AC-N	AC-G	+VO1	-VO1	+VO2	-VO2	+VO3	-VO3	+VO4	-VO4	NC	LOG. INH.	+S	-S	POWER FAIL
TPSU100-1X	28	30	32	4,6	12,14	-	-	-	-	-	-	16,18,24,26	20	8	10	22
TPSU100-2X	28	30	32	4	6	8	10	-	-	-	-	12,14,16,18,24,26	20	-	-	22
TPSU100-3X	28	30	32	4,6	8,10	12	14	16	18	-	-	24,26	20	-	-	22
TPSU100-4X	28	30	32	4	-	10	-	12	14	16	18	6,8,20,22,24	-	-	-	-

Mating connector: DIN41612-H15 Female