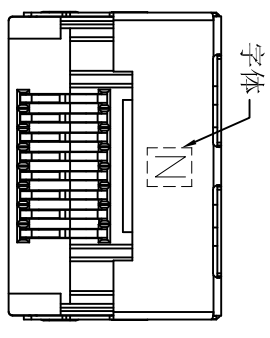
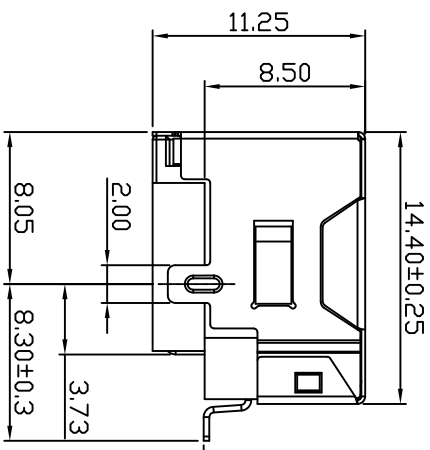
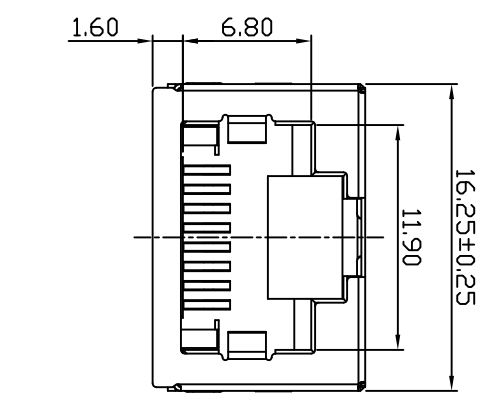
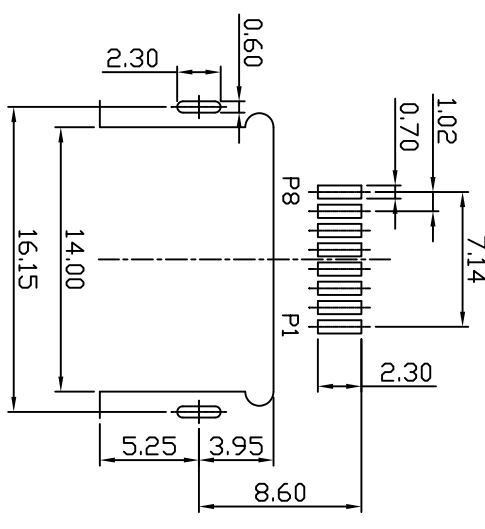


CATEGORY	DESCRIPTION	P/N #
CONNECTOR	RJ45 沉板H=8.5mm, SMT	MJ883-BX11-GLSVX-X

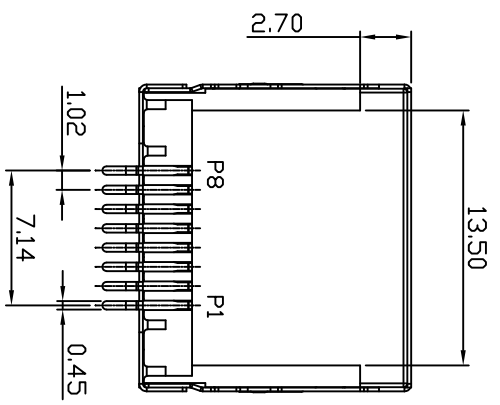
REV.	ECN NO	DESCRIPTION	REVISED	DATE
A01		New Release	XSY	2016.05.17
A02		修改包装数量	XSY	2018.12.13



- SPECIFICATION**
- VOLTAGE RATING: 150 VAC RMS.
 - CURRENT RATING: 1.5 AMP
 - CONTACT RESISTANCE: 40 mΩ MAX
 - INSULATION RESISTANCE: 500MΩ MIN.
 - WITHSTAND VOLTAGE: AC1000V RMS.
 - DURABILITY: 750 MATING CYCLES MIN.



Recommend PCB Layout
(Jack Top View)
Tolerance: ±0.05mm



X	Terminal Plating
0	Au 1u" Plating
1	Au 3u" Plating
2	Au 6u" Plating
3	Au 15u" Plating
4	Au 30u" Plating

X	字体选项
1	带 "N"
3	无带 "N"

X	包装方式
C	卷带包装自粘式300/卷盘
C1	卷带包装热封式300/卷盘
C2	卷带包装热封式300/卷盘
P	吸塑包装



UNLESS OTHERWISE SPECIFIED TOLERANCES		SCALE: 1/1		UNIT: mm	DWG. NO:
DECIMALS:	ANGLES:	SIZE: A3	PAGE: 1 OF 1	REV: A02	
X : ±0.5	X : ±2°	APPROVED BY	CHECKED BY	PREPARED BY	
XX : ±0.3	XX : ±1°	DICK	XSY	XSY	
XXX : ±0.2		CUSTOMER COPY			

东莞市合陵电子有限公司
 Dongguan Heling Electronic Co., LTD