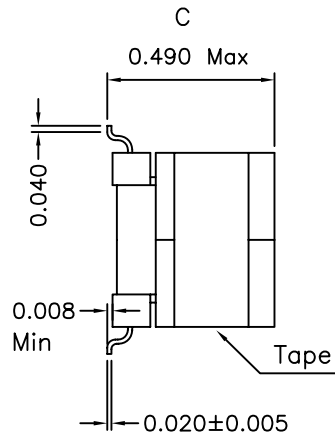
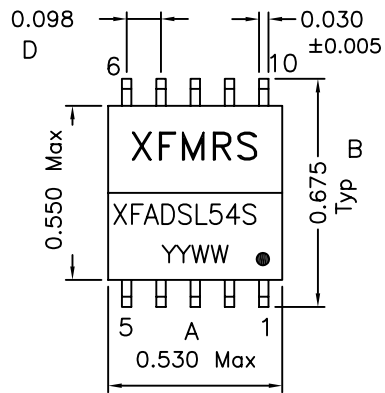
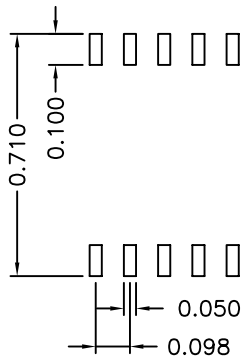


1. Dimensions:



CO-PLANARITY: 0.004 Max



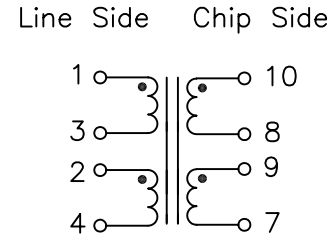
Suggested PCB Layout

Note:

1. Solderability: Leads shall meet MIL-STD-202, Method 208D for solderability.
2. Flammability: UL94V-0,
3. ASTM oxygen index: > 28% ,
4. Temperature rating: 155°C. UL file E151556,
5. Operating Temperature Range: 0°C to +70°C
6. Designed to meet the requirements of IEC 60950 Supplementary Insulation with 250 working volts.

DOC. REV A/1

2.Schematic:



3.Electrical Specifications: @25°C

OCL: P10-7 470uH±5% @10KHz, 0.1V Tie 8+9

LL: P10-7 14uH Max @100KHz, 0.1V
Tie 8+9, Short 1,2,3,4

DCR: P10-8 0.600±10% Ohms

DCR: P9-7 0.600±10% Ohms

DCR: P1-3 0.750±10% Ohms

DCR: P2-4 0.750±10% Ohms

Turns Ratio: P1-4:10-7 = 1.26:1±1%

Isolation Voltage: 1875VAC, P1-10

Isolation Voltage: 650VDC, All Wdgs. to Core

THD: -72dB Max @10KHz, 2Vrms Line:IC

THD: -80dB Max @30KHz, 2.5Vrms Line:IC

LB: -55dB Min @20KHz-1.1MHz

Cww: P1-8 7pF Max @100KHz, 0.1V
Tie 1,2,3,4 and 7,8,9,10

| | | | | |
|--------------|---|-----|----------------|--------|
| XFMRS Inc | Title: LINE TRANSFORMER | | | |
| | UNLESS OTHERWISE SPECIFIED TOLERANCES: .xxx ±0.010 Dimensions in INCH | | P/N: XFADSL54S | REV. A |
| | DWN. | 李小锋 | Mar-26-03 | |
| | CHK. | 廖玉坤 | Mar-26-03 | |
| SHEET 1 OF 1 | APP. | BW | Mar-26-03 | |