

APPLICATOR STYLE CONVERSION CHART table with columns for Part Number, Revision, Description, Feed Type, Convert To, and Part Numbers Required.

APPLICATOR DATA table with columns for Crimp Size, Wire Size, and Insulation Size.

TERMINAL DATA and SPECIFICATION table including wire strip length, insulation diameter range, and terminal application specifications.

WIRE SIZE and CRIMP HEIGHT REFERENCE SETTING table with columns for wire size, crimp height, and reference setting.

- List of instructions: 1. RECOMMENDED SPARE PARTS, 2. GREASE BEARING SURFACES LIGHTLY, 3. LUBRICATE DAILY PER THE APPLICATOR INSTRUCTION SHEET SUPPLIED WITH THE APPLICATOR, 4. APPLICATOR SPECIFIC DATA TO BE ENTERED INTO BLANK MEMORY CHIP AT ASSEMBLY... 5. ADJUSTMENT OF THE STRIPPER MAY BE REQUIRED WHEN MOVING THE APPLICATOR BETWEEN BENCH AND LEADMAKER APPLICATIONS.

\*WARNING ON INSTALLATION, SET WIRE DISC, ITEM 40 TO LARGEST WIRE SIZE SETTING. USE OF SETTINGS BELOW MINIMUM REQUIRED CRIMP HEIGHT SETTING WILL CAUSE DAMAGE TO CRIMP TOOLING.

Table with columns for Part No, Description, and Item No, listing items like APPLICATOR SHIM PACK, O-RING, and BUSHING.

ATLANTIC VERSION Shown on sheets 1 of 4 & 2 of 4 (Pacific version shown on sheets 3 of 4 & 4 of 4)

REVISIONS table with columns for Description, Date, and Drawn/Approved.

Large table with columns for Description, Date, Drawn, and Approved, listing various components like FEED CAM, DETENT PIN, SPRING, COMPRESSION, etc.

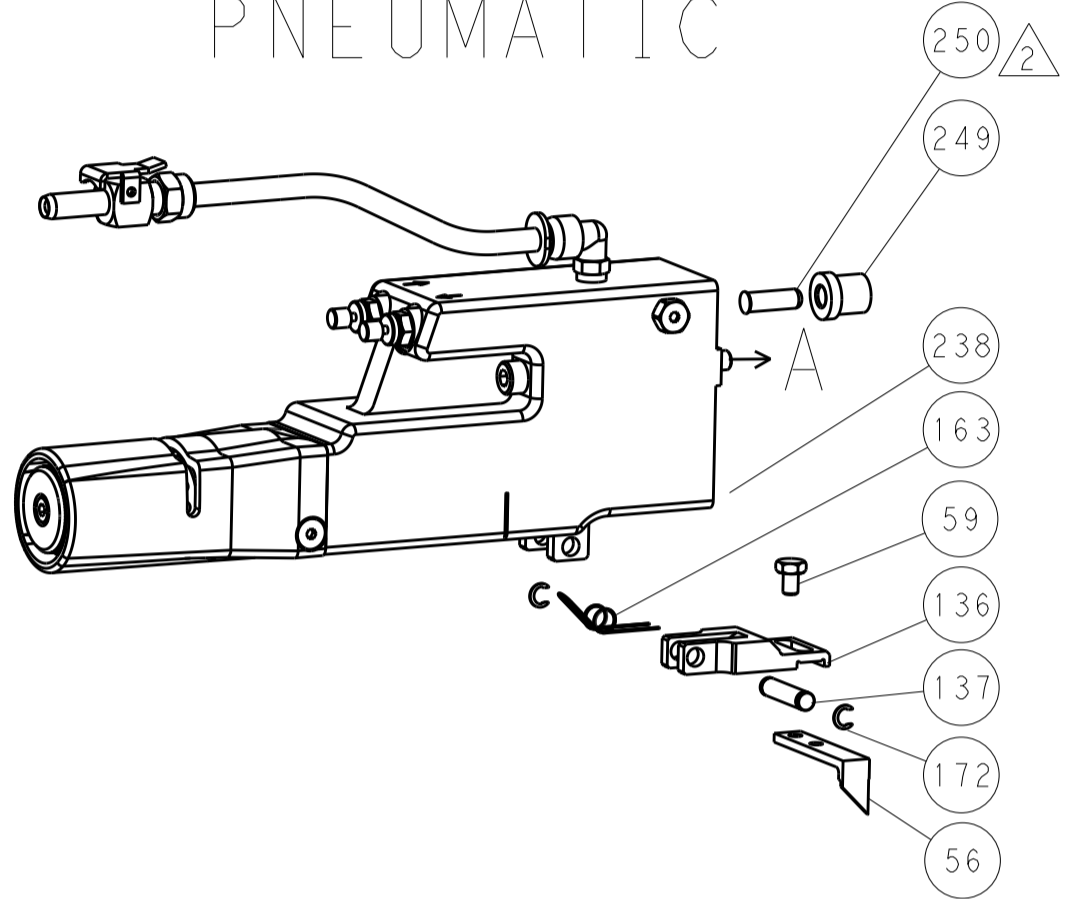
STC logo and product information for Ocean Side Feed Applicator, including dimensions, tolerances, and material specifications.

LOC		DIST		REVISIONS			
A	66	P	LTM	DESCRIPTION	DATE	DMN	APVD
		-	-	SEE SHEET 1	-	-	-

### FEED TYPE MECHANICAL



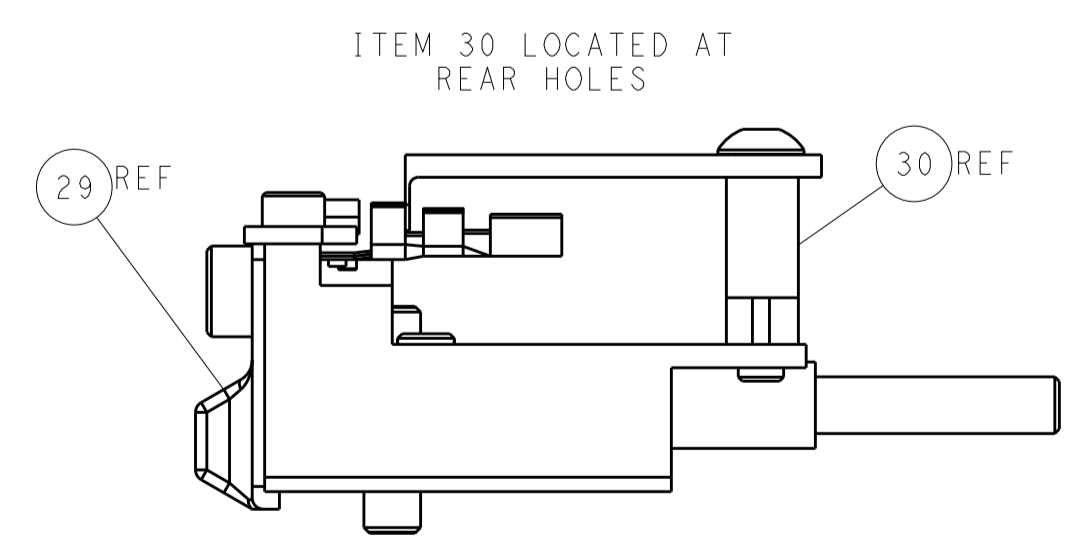
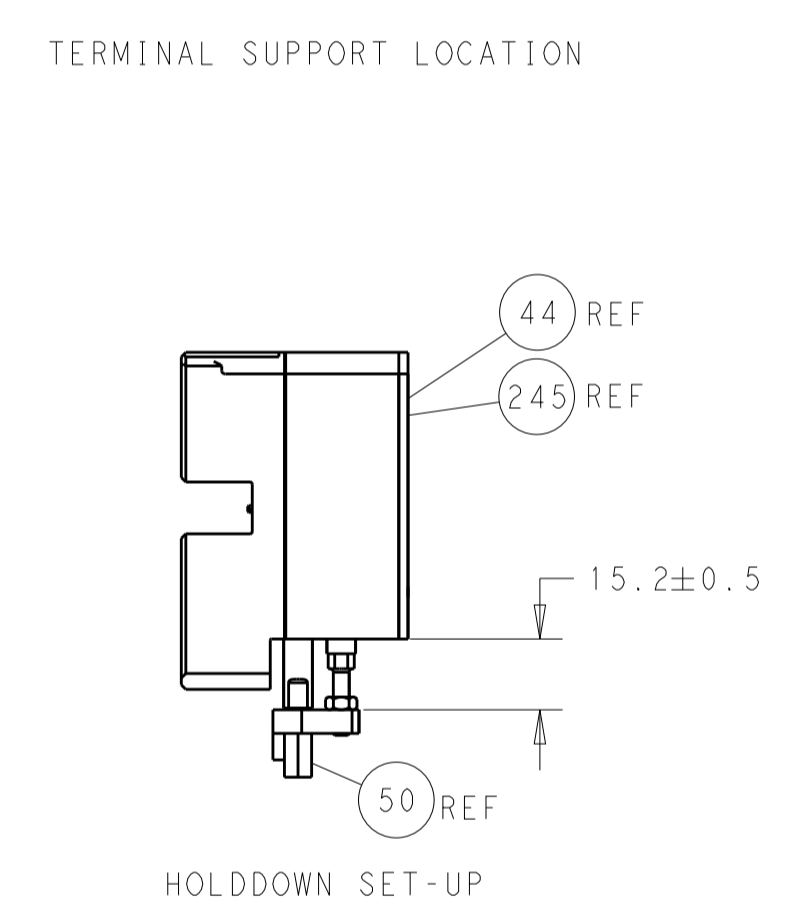
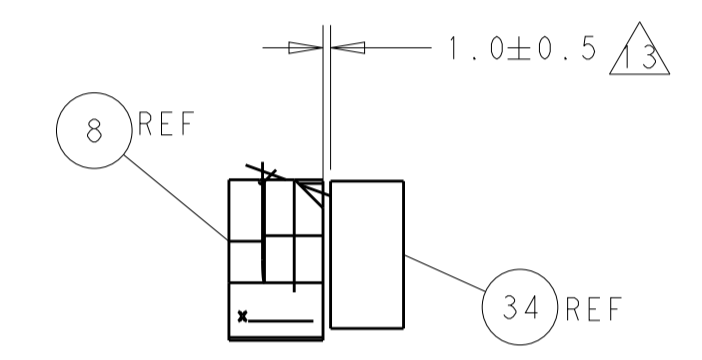
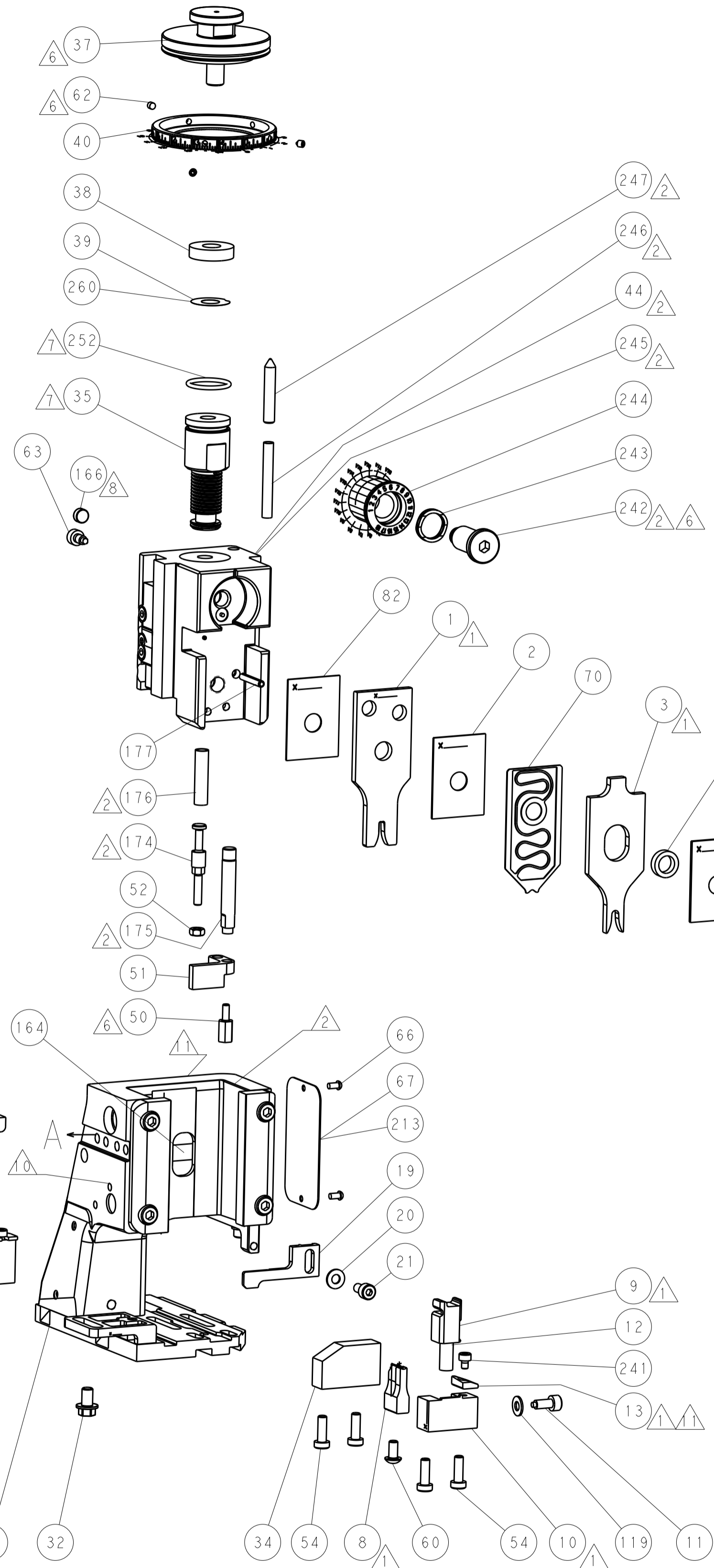
### PNEUMATIC



### SERVO LATCH PLATE



### CAM POSITIONS



**ATLANTIC VERSION**  
 Shown on sheets 1 of 4 & 2 of 4  
 (Pacific version shown on sheets 3 of 4 & 4 of 4)

DIMENSIONS:		TOLERANCES UNLESS OTHERWISE SPECIFIED:		DWG: Y. YIN 27SEP2011		TE Connectivity	
mm	0 PLC	±		CHK: G. BAILEY 27SEP2011	NAME	Ocean Side Feed Applicator	
	1 PLC	±		APVD: S. XI 27SEP2011	PRODUCT SPEC	SIZE	CAGE CODE DRAWING NO
	2 PLC	±			APPLICATION SPEC	A1	00779 ©=2151047
	3 PLC	±			WEIGHT	Customer Accessible Production Drawing	SCALE 1:2 SHEET 2 OF 4 REV D1
	4 PLC	±			FINISH		
MATERIAL							



LOC		DIST		REVISIONS			
A	66	P	LTM	DESCRIPTION	DATE	DMN	APVD
		-		SEE SHEET 1			

# FEED TYPE MECHANICAL



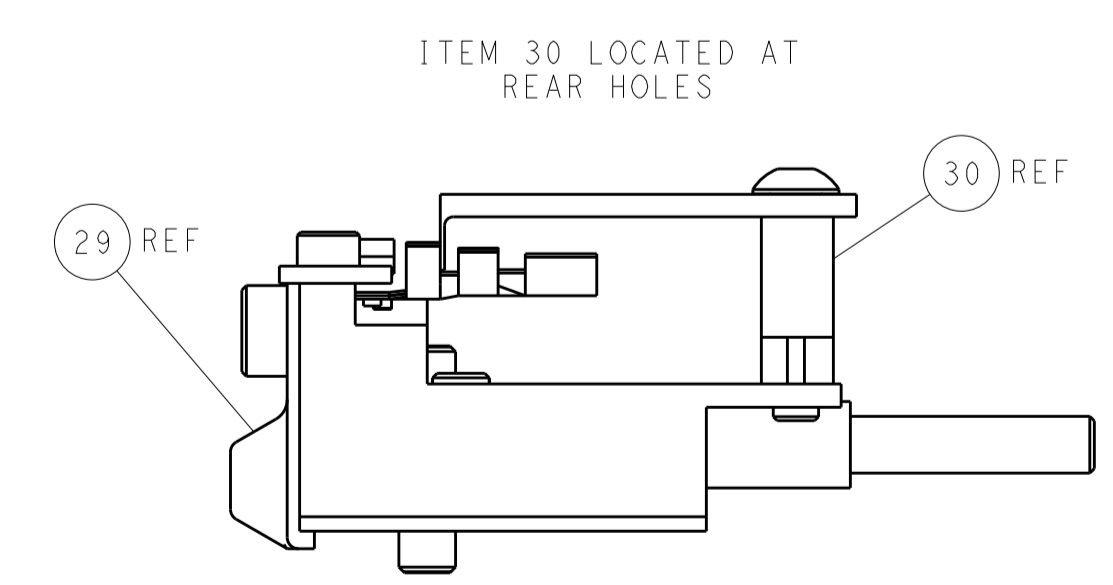
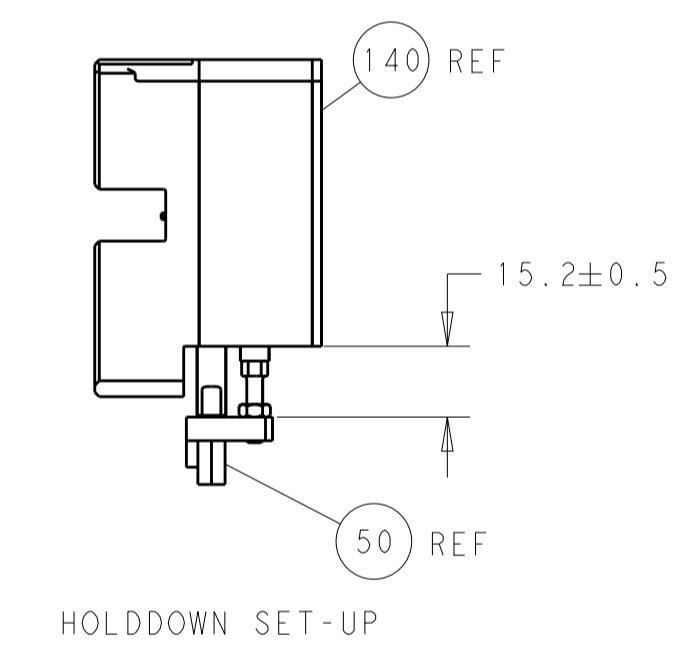
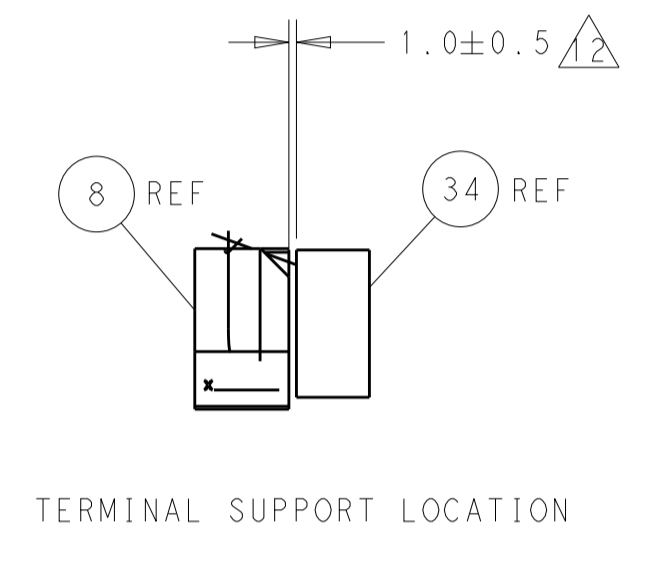
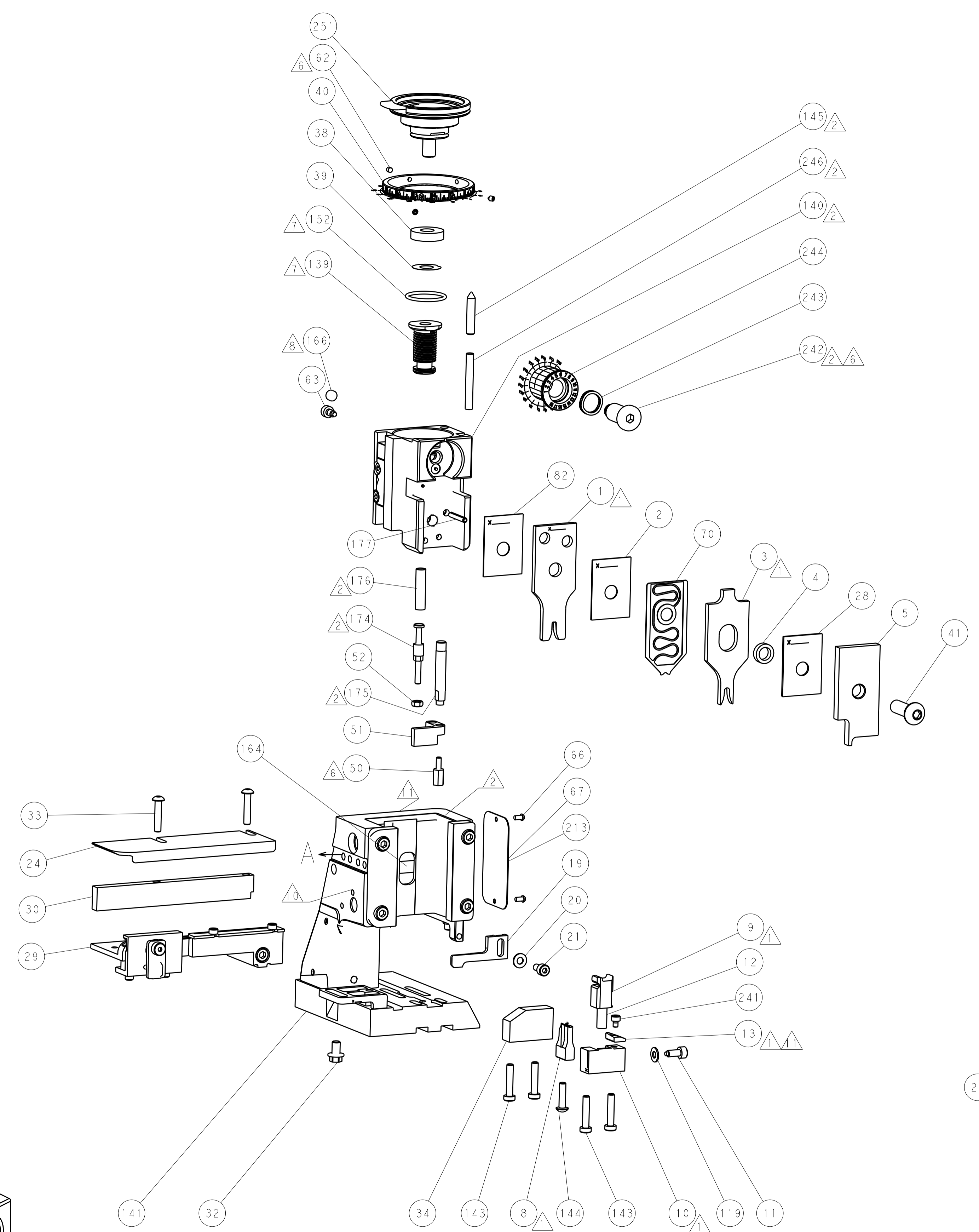
# PNEUMATIC



# SERVO LATCH PLATE



# CAM POSITIONS



**PACIFIC VERSION**  
 Shown on sheets 3 of 4 & 4 of 4  
 (Atlantic version shown on sheets 1 of 4 & 2 of 4)

DIMENSIONS:		TOLERANCES UNLESS OTHERWISE SPECIFIED:		DWG: Y. YIN 27SEP2011		NAME: Ocean Side Feed Applicator	
mm	0 PLC ±	1 PLC ±	2 PLC ±	3 PLC ±	4 PLC ±	5 PLC ±	6 PLC ±
	ANGLES	FINISH		CHK: G. BAILEY 27SEP2011	APVD: S. XI 27SEP2011	SIZE: A1	CAGE CODE: 00779
MATERIAL:				DRAWING NO: 2151047		SCALE: 1:2	SHEET 4 OF 4
Customer Accessible Production Drawing				RESTRICTED TO: REV D1			