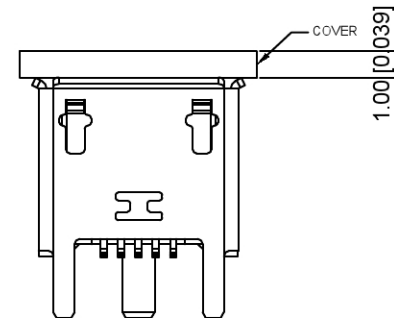


S:Scrolls

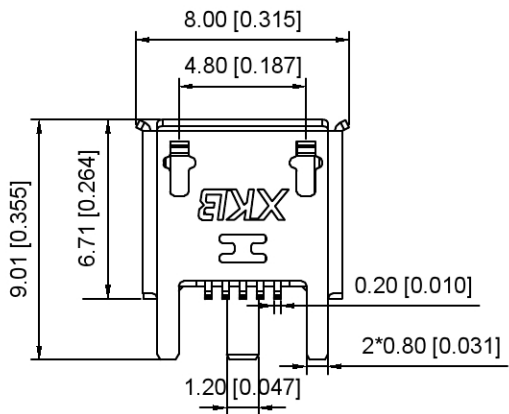
2.79 [0.110]

2.90 [0.114]

2.50 [0.096]



COVER
1.00 [0.039]



9.01 [0.355]

6.71 [0.264]

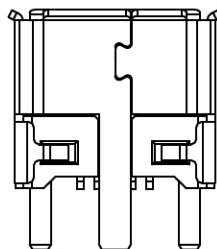
8.00 [0.315]

4.80 [0.187]

0.20 [0.010]

2*0.80 [0.031]

1.20 [0.047]



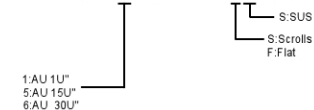
Notes:

Specifications:

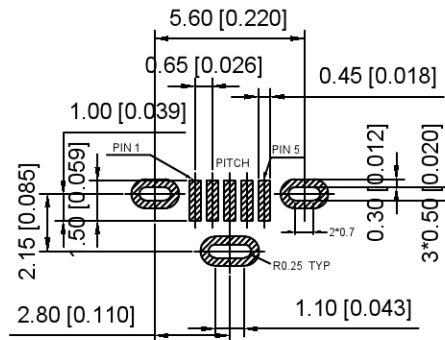
1. Current rating: 1 A Max.
2. Dielectric withstanding voltage: 100V(AC) for 1 min.
3. Contact resistance: 50m Ω Max.
4. Insulation resistance: 100M Ω Min.
5. Total mating force: 3.57 Kgf Max.
6. Total unmating force: 1.0 Kgf Min. 0.81~2.05 Kgf Min. after 10000 insertion/extraction cycles
7. Temperature range: -30°C~+80°C

Housing Material: LCP UL94V-0, black
Contact Terminal: PHOSPHOR BRONZE
Metallic Shell: SUS

U255-05XN-4BH74-XS



1:AU 1U"
5:AU 15U"
6:AU 30U"



5.60 [0.220]

0.65 [0.026]

0.45 [0.018]

1.00 [0.039]

0.50 [0.059]

2.15 [0.085]

2.80 [0.110]

PIN 1

PITCH

PIN 5

2*0.7

0.30 [0.012]

3*0.50 [0.020]

R0.25 TYP

1.10 [0.043]

RECOMMEND PCB LAYOUT (THICKNESS=1.6mm)
TOLERANCE: ±0.05

广东星坤科技股份有限公司

生	日期
发	日期

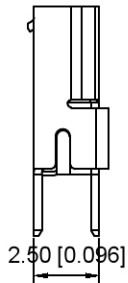
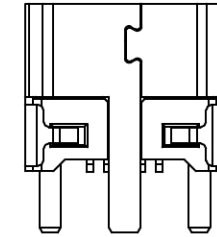
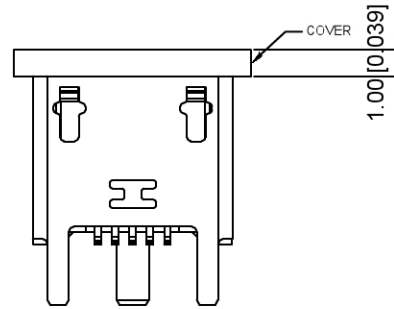
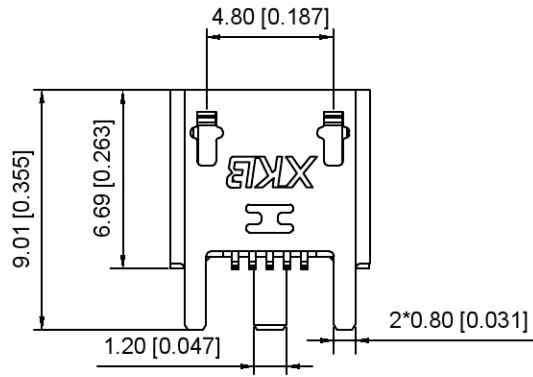
文件工程章

REVISIONS

www.xkcg.cn www.helloxkb.com www.helloxkb.cn

UNSPECIFIED TOLERANCES

DSND	DATE	SCALE: N/A	MODEL TYPE: MICRO USB
DWN	DATE	VIEW:	PART NO.:
CHKD	DATE	UNIT: mm/in	DWG NO.:
APPD	DATE	SIZE: A4	U254-05XN-4BH74-SS
XKB INDUSTRIAL PRECISION CO., LIMITED			WEIGHT 1.0g
			SHEET 1/1
			REVISION A0

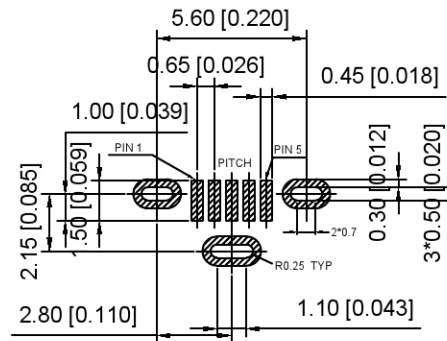
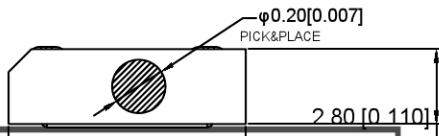


Notes:

Specifications:

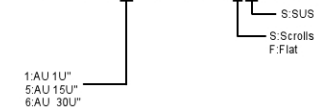
1. Current rating: 1 A Max.
2. Dielectric withstanding voltage: 100V(AC) for 1 min.
3. Contact resistance: 50m Ω Max.
4. Insulation resistance: 100M Ω Min.
5. Total mating force: 3.57 Kgf Max.
6. Total unmating force: 1.0 Kgf Min. 0.81~2.05 Kgf Min. after 10000 insertion/extraction cycles
7. Temperature range: -30°C~+80°C

Housing Material: LCP UL94V-0, black
 Contact Terminal: PHOSPHOR BRONZE
 Metallic Shell: SUS



RECOMMEND PCB LAYOUT (THICKNESS=1.6mm)
 TOLERANCE: ±0.05

U255-05XN-4BH74-XS



广东星坤科技股份有限公司

生	日期
发	日期

文件工程章	REVISIONS
DATE	REVISED
APPROVED	UNSPECIFIED TOLERANCES

www.xkcg.cn www.helloxkb.com www.helloxkb.cn

DSND	DATE	SCALE: N/A	MODEL TYPE: MICRO USB
DWN	DATE	VIEW:	PART NO.:
CHKD	DATE	UNIT: mm/in	DWG NO.: U254-05XN-4BH74-FS
APPD	DATE	SIZE: A4	WEIGHT SHEET REVISION
KXB INDUSTRIAL PRECISION CO., LIMITED			1.0g 1/1 A0