

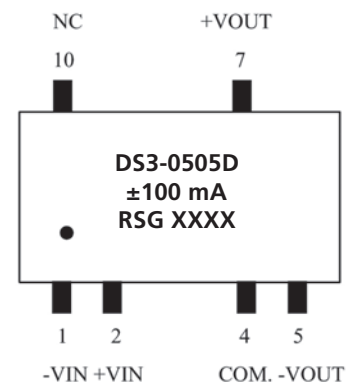
RSG Electronic Components GmbH  
 Spremlinger Landstr. 115  
 D-63069 Offenbach  
 Tel. +49 69 984047-0  
 Fax +49 69 984047-77  
 info@rsg-electronic.de

### DS3-XXXX-D(H3) series Dual output unregulated DC/DC converters 1W

[www.rsg-electronic.de](http://www.rsg-electronic.de)

#### ELECTRICAL SPECIFICATIONS

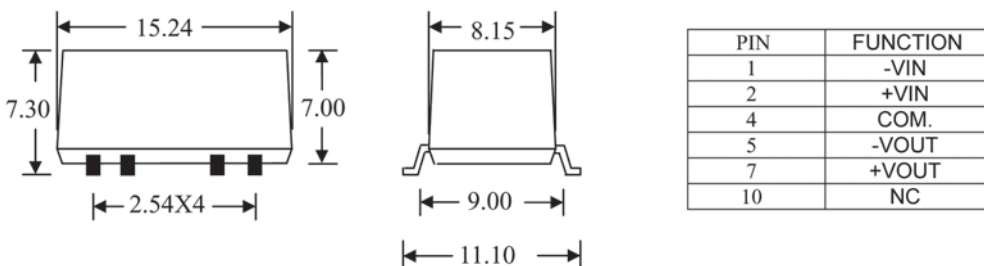
- Input voltage range  $\pm 10\%$
- Input filter capacitor
- Output voltage accuracy  $\pm 5\%$
- Line voltage regulation 1.2% typ. / 1% of  $V_{in}$
- Load voltage regulation (10%~100%) -  
 5V output types -> 15% max.  
 9V, 12V and 15V output types -> 10% max.
- Ripple & Noise / 20 MHz BW  $\pm 100$  mV p-p max.
- Efficiency at full load 70% min.
- Isolation voltage 1000 VDC min.
- Short circuit protection 1.0 sec.
- Operating temperature range  $-40^{\circ}\text{C} \sim 85^{\circ}\text{C}$
- Storage temperature range  $-55^{\circ}\text{C} \sim 125^{\circ}\text{C}$
- Isolation resistance 10 GOhm min.
- Isolation capacity 70 pF typ.
- Package weight 2.2 g
- ReFlow temp.  $230^{\circ}\text{C}$  (10 sec.)



Meet CE EN-60950-1 certified, measured @  $25^{\circ}\text{C}$  with the condition of  $V_{in}$  = nominal and full load

**Note:** Add/H3 after P/N for isolation 3kVDC

#### PACKAGE STYLE AND PINNING (mm)



Unit: mm  
 Tol.:  $\pm 0.25$  mm

#### SELECTION GUIDE

Part Number	Input Voltage (VDC)	Output Voltage (VDC)	Output Current (mA)	Efficiency (%)
DS3-XX3.3D	3.3, 5, 9, 12, 15, 24	$\pm 3.3$	$\pm 152$	68
DS3-XX05D	3.3, 5, 9, 12, 15, 24	$\pm 5$	$\pm 100$	70
DS3-XX09D	3.3, 5, 9, 12, 15, 24	$\pm 9$	$\pm 55$	75
DS3-XX12D	3.3, 5, 9, 12, 15, 24	$\pm 12$	$\pm 42$	78
DS3-XX15D	3.3, 5, 9, 12, 15, 24	$\pm 15$	$\pm 33$	80
DS3-XX24D	3.3, 5, 9, 12, 15, 24	$\pm 24$	$\pm 21$	80