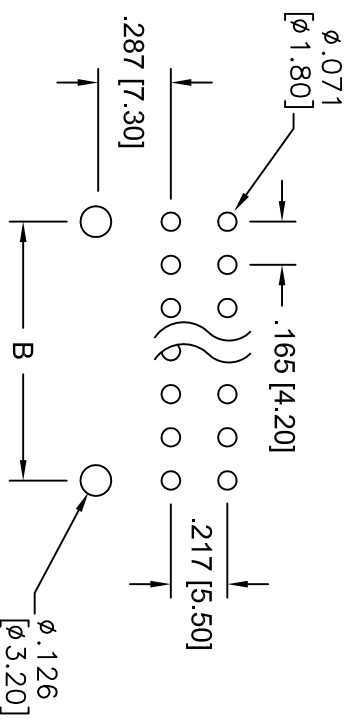
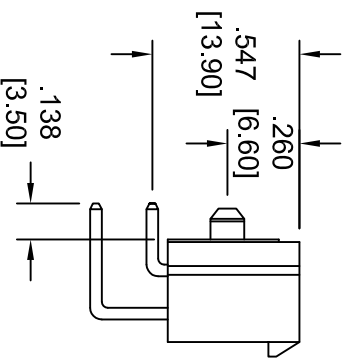
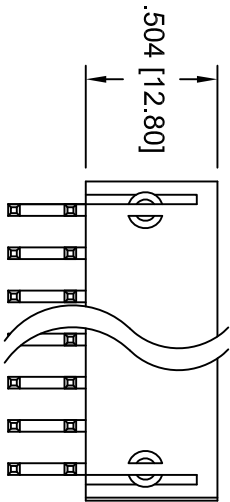
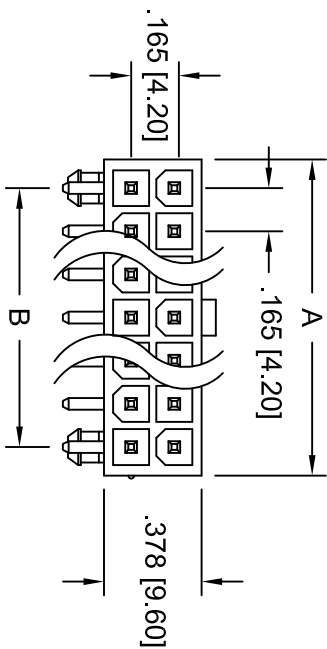


APPROVED: _____
 DATE: _____ TITLE: _____

Rev	AWO #	Description	Date	Appr
-		RELEASED	8/19/04	
A		REVISED SPEC.	7/04/11	



RECOMMENDED PCB LAYOUT

SPECIFICATIONS:
Material: Nylon 66, rated UL94V-0
 Insulator color: Natural
 Contacts: Brass
Plating: Tin over Copper underplate overall

A = .165 [4.20] x No. of Spaces + .213 [5.40]
 B = .165 [4.20] x No. of Spaces

Electrical:
 Operating voltage: 600V max.
 Current rating: 5 Amps
 Insulation resistance: 1000 MΩ min.
 Dielectric withstanding voltage: 1500 VAC
Temperature Rating:
 Operating temperature: -40°C to +105°C
 Environmental:
 Lead free, RoHS compliant.
 Recommended soldering temp: 235°C for 5 sec.



UNLESS OTHERWISE SPECIFIED
 ALL DIMENSIONS ARE MM [INCHES]
 TOLERANCES: EXCEPT AS NOTED
 INCHES

X	± .10	ØX	± .10
.XX	± .020	ØXX	± .015
.XXX	± .015	ØXXX	± .010

APPROVALS

DRAWN	SS	DATE	8/19/04
CHECKED			
APPROVED			

ADAM TECH
 909 Railway Avenue, Union, NJ 07083
 Phone: 908-687-5000 Fax: 908-687-5710

TITLE: RIGHT ANGLE HOUSING, MALE TERMINAL
 PCB MOUNT WITH PEGS

SIZE: PART NO. DMF-XX-R-N-P-V0
 SCALE: NTS SHEET 1 OF 2