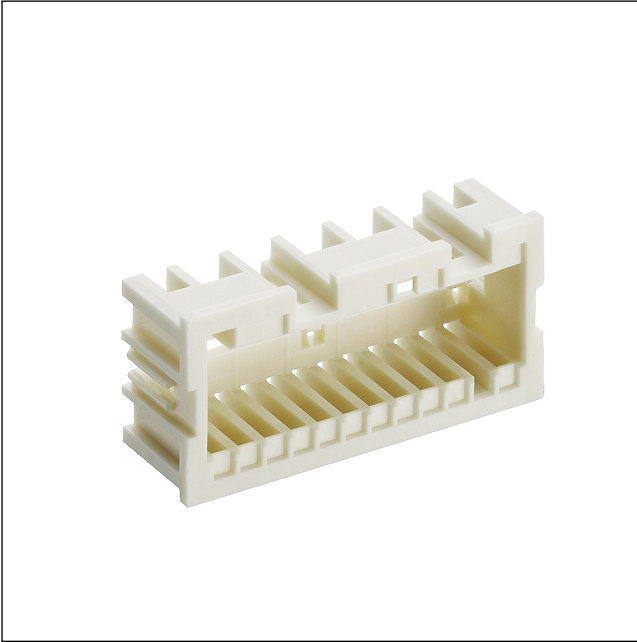


36


3602

RAST 5 connectors, pitch 5.0 mm



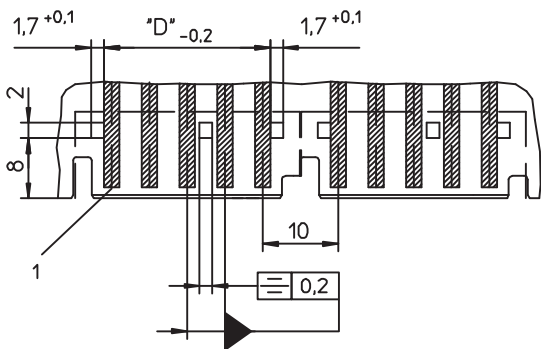
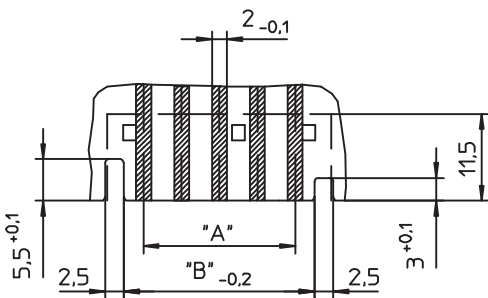
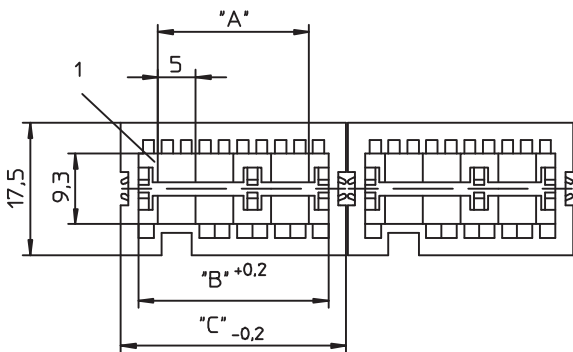
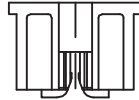
RAST 5 guide frame

State: Active

Approvals: 

36

3602



Environmental conditions

Temperature range -40 °C/+120 °C¹

¹ upper limit temperature (insulating body) RTI (electrical) of the UL Yellow Card

Materials

Insulating body PA GF, V-0 according to UL94

Mechanical data

Locking on Leiterplatte 1,5 ± 0,14 mm
Keying proposals at www.lumberg.com

Associated products

Accessories

☞ 3612

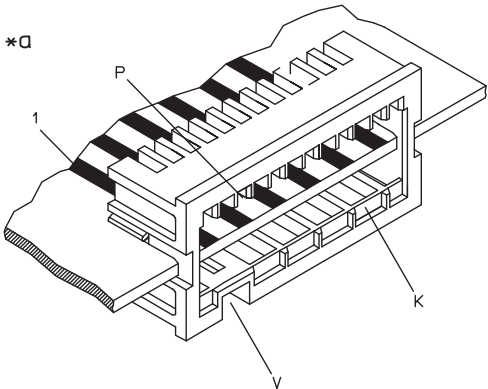
☞ 3612

☞ 3633

☞ 3633

36

3602



*a K = keying
P = positioning
V = space for lock

Designation	Pole Number	PU (Pieces)	MDQ (Pieces)	Dimensions			
				A (mm)	B (mm)	C (mm)	D (mm)
3602 02	2	250	2000	5	10.3	14.6	7
3602 03	3	250	2000	10	15.3	19.6	12
3602 04	4	250	2000	15	20.3	24.6	17
3602 05	5	250	2000	20	25.3	29.6	22
3602 06	6	250	2000	25	30.3	34.6	27
3602 07	7	250	2000	30	35.3	39.6	32
3602 08	8	250	2000	35	40.3	44.6	37
3602 09	9	250	2000	40	45.3	49.6	42
3602 10	10	250	2000	45	50.3	54.6	47
3602 11	11	250	2000	50	55.3	59.6	52
3602 12	12	250	2000	55	60.3	64.6	57

Designation to be completed by further details (e.g. for keying, color or material options).

Packaging:

in bulk, in a cardboard box