

0.8" Single Digit Display

FEATURES

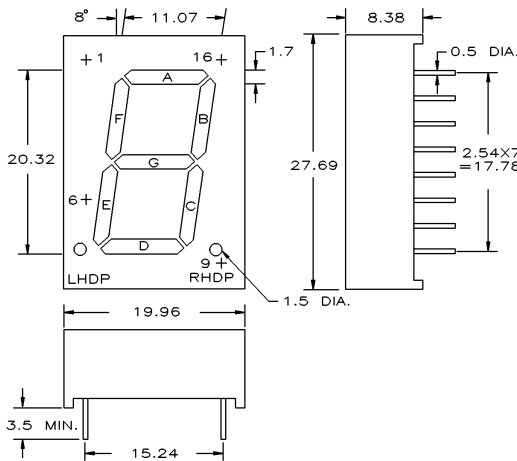
- 0.8" digit height
- Left and Right hand decimal point
- Additional colors/materials available

OPTO-ELECTRICAL CHARACTERISTICS (Ta = 25°C)

PART NO.	PEAK WAVE LENGTH (nm)	EMITTED COLOR	FACE COLORS		MAXIMUM RATINGS			OPTO-ELECTRICAL CHARACTERISTICS						PIN-OUT	
			SURFACE COLOR	EPOXY COLOR	IF (mA)	VR (V)	PD (mW)	VF(V)			IR(μA)		IV(μcd)		
								typ.	max.	@mA	max.	@VR	typ. per seg.		@mA
MTN2180-AG	567	Green	Grey	White	30	5	85	2.1	3.0	20	100	5	3300	10	1
MTN4180-AO	635	Orange	Grey	White	30	5	85	2.1	3.0	20	100	5	3800	10	1
MTN4180-AHR	635	Hi-Eff Red	Red	Red	30	5	85	2.1	3.0	20	100	5	3800	10	1
MTN7180M-11A	660	Ultra Red	Grey	White	30	4	70	1.7	2.2	20	100	4	20000	20	1
MTN2180-CG	567	Green	Grey	White	30	5	85	2.1	3.0	20	100	5	3300	10	2
MTN4180-CO	635	Orange	Grey	White	30	5	85	2.1	3.0	20	100	5	3800	10	2
MTN4180-CHR	635	Hi-Eff Red	Red	Red	30	5	85	2.1	3.0	20	100	5	3800	10	2
MTN7180M-11C	660	Ultra Red	Grey	White	30	4	70	1.7	2.2	20	100	4	20000	20	2

Operating Temperature: -25~+85, Storage Temperature: -25~+100. Other face/epoxy colors are available.

PACKAGE DIMENSIONS AND PIN FUNCTIONS



PINOUT 1

COMMON ANODE

PIN NO. FUNCTION

1. CATHODE A
2. CATHODE F
3. COMMON ANODE
4. CATHODE E
5. COMMON ANODE
6. CATHODE LHDP
7. NO PIN
8. NO PIN
9. CATHODE RHDP
10. CATHODE D
11. COMMON ANODE
12. CATHODE C
13. CATHODE G
14. CATHODE B
15. NO PIN
16. COMMON ANODE

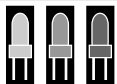
PINOUT 2

COMMON CATHODE

PIN NO. FUNCTION

1. ANODE A
2. ANODE F
3. COMMON CATHODE
4. ANODE E
5. COMMON CATHODE
6. ANODE LHDP
7. NO PIN
8. NO PIN
9. ANODE RHDP
10. ANODE D
11. COMMON CATHODE
12. ANODE C
13. ANODE G
14. ANODE B
15. NO PIN
16. COMMON CATHODE

1. ALL DIMENSIONS ARE IN mm, TOLERANCE IS ± 0.25 mm UNLESS OTHERWISE SPECIFIED.
2. THE SLOPE ANGLE OF ANY PIN MAY BE $\pm 5.0^\circ$ MAX.



marktech
optoelectronics

120 Broadway • Menands, New York 12204

Toll Free: (800) 98-4LEDS • Fax: (518) 432-7454

For up-to-date product info visit our web site at www.marktechopto.com

All specifications subject to change.