



## MAXIMUM RATINGS

### ORDERING INFORMATION

Package	Operating Junction Temperature Range	Part NO.
SOT-223	-25 to 125°C	CJT1117B-ADJ
		CJT1117B-1.8
		CJT1117B-2.5
		CJT1117B-3.3
		CJT1117B-5.0

### ABOSLUTE MAXIMUM RATINGS ( $T_a=25^{\circ}\text{C}$ unless otherwise noted)

Parameter	Symbol	Value	Unit
Input Voltage	$V_i$	20	V
Thermal Resistance from Junction to Ambient	$R_{\theta JA}$	100	$^{\circ}\text{C}/\text{W}$
Junction Temperature	$T_j$	150	$^{\circ}\text{C}$
Storage Temperature	$T_{stg}$	-55~+150	$^{\circ}\text{C}$
Lead Temperature (Soldering, 10s)	$T_L$	260	$^{\circ}\text{C}$
ESD Voltage (Machine Model)	$V_{ESD}$	400	V

Note: Stresses greater than those listed under "Absolute Maximum Ratings" may cause permanent damage to the device. These are stress ratings only, and functional of the device at these or any other conditions beyond those indicated under "Recommended Operating Conditions" is not implied. Exposure to "Absolute Maximum Ratings" for extended periods may affect device reliability.

### RECOMMENDED OPERATING CONDITIONS

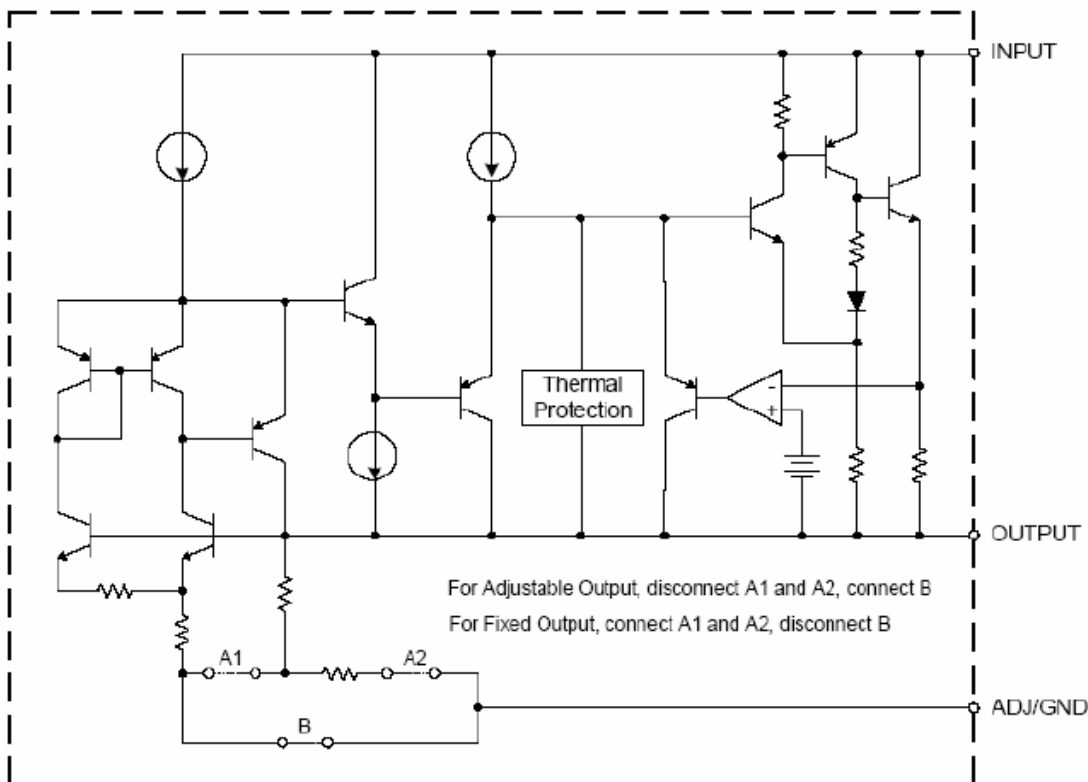
Parameter	Symbol	Value	Unit
Input Voltage	$V_i$	15	V
Operating Junction Temperature	$T_j$	-25~+125	$^{\circ}\text{C}$

# ELECTRICAL CHARACTERISTICS

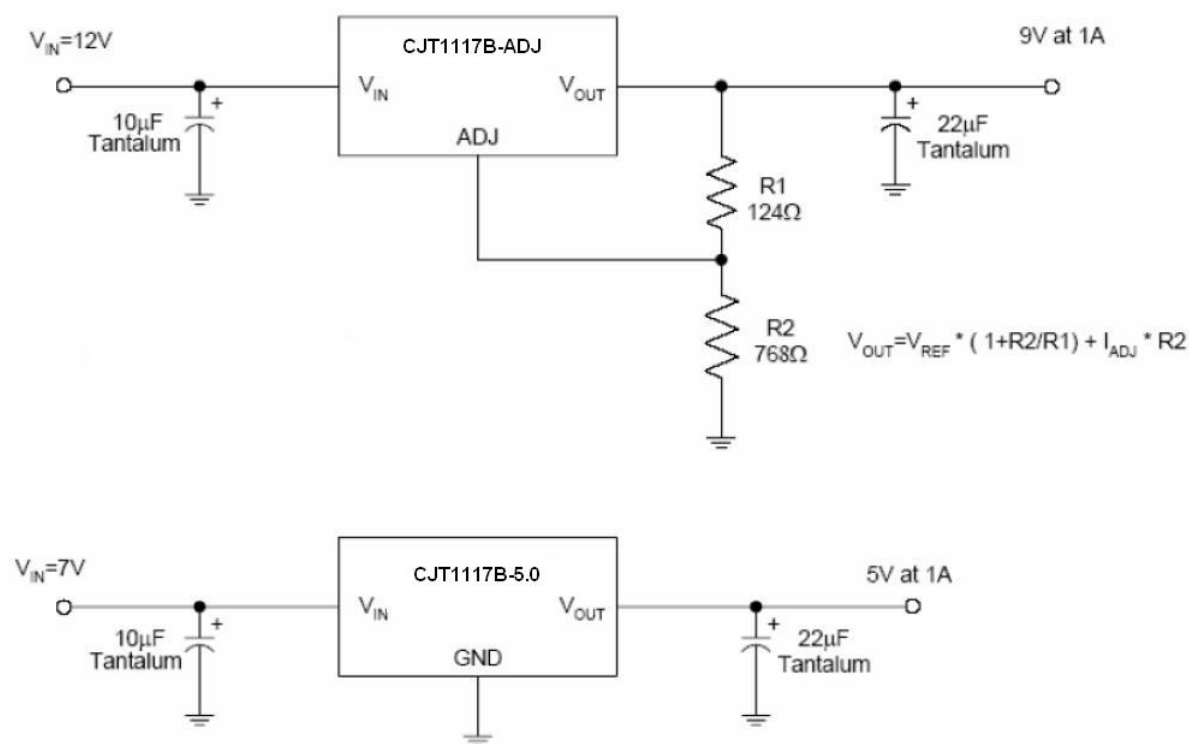
$V_{IN} \leq 10V$ ,  $T_J = 25^\circ C$  unless otherwise specified.

Parameter	Symbol	Part NO.	Test conditions	Min	Typ	Max	Unit
Reference Voltage	$V_{IROC}$	CJT1117B-ADJ	$I_{OUT} = 10mA$ , $V_{IN} = 3.23V$	1.231	1.250	1.269	V
			$10mA \leq I_{OUT} \leq 1A$ , $2.75V \leq V_{IN} - V_{OUT} \leq 13.25V$	1.225	1.250	1.275	
Output Voltage	$V_O$	CJT1117B-1.8	$I_{OUT} = 10mA$ , $V_{IN} = 3.8V$	1.773	1.8	1.827	V
			$10mA \leq I_{OUT} \leq 1A$ , $3.3V \leq V_{IN} \leq 12V$	1.764	1.8	1.836	
		CJT1117B-2.5	$I_{OUT} = 10mA$ , $V_{IN} = 4.5V$	2.463	2.5	2.538	
			$10mA \leq I_{OUT} \leq 1A$ , $4V \leq V_{IN} \leq 12V$	2.450	2.5	2.550	
		CJT1117B-3.3	$I_{OUT} = 10mA$ , $V_{IN} = 5.3V$	3.251	3.3	3.350	
			$10mA \leq I_{OUT} \leq 1A$ , $4.8V \leq V_{IN} \leq 12V$	3.234	3.3	3.366	
		CJT1117B-5.0	$I_{OUT} = 10mA$ , $V_{IN} = 7.0V$	4.925	5.0	5.075	
			$10mA \leq I_{OUT} \leq 1A$ , $6.5V \leq V_{IN} \leq 12V$	4.9	5.0	5.1	
Line Regulation	LNR	CJT1117B-ADJ	$I_{OUT} = 10mA$ , $1.5V \leq V_{IN} - V_{OUT} \leq 12V$			0.2	%
		CJT1117B-1.8	$I_{OUT} = 10mA$ , $1.5V \leq V_{IN} - V_{OUT} \leq 10.2V$			7	mV
		CJT1117B-2.5	$I_{OUT} = 10mA$ , $1.5V \leq V_{IN} - V_{OUT} \leq 9.5V$			7	
		CJT1117B-3.3	$I_{OUT} = 10mA$ , $1.5V \leq V_{IN} - V_{OUT} \leq 8.7V$			7	
		CJT1117B-5.0	$I_{OUT} = 10mA$ , $1.5V \leq V_{IN} - V_{OUT} \leq 7V$			10	
Load Regulation	LDR	CJT1117B-ADJ	$V_{IN} - V_{OUT} = 1.5V$ , $10mA \leq I_{OUT} \leq 1A$			0.4	%
		CJT1117B-1.8				7.2	mV
		CJT1117B-2.5				10	
		CJT1117B-3.3				13.2	
		CJT1117B-5.0				20	
Dropout Voltage	$V_D$		$\Delta V_{REF} = 1\%$ , $I_{OUT} = 1.0A$			1.3	V
Adjust Pin Current					60	120	$\mu A$
Minimum Load Current	$I_L$		$1.5V \leq V_{IN} - V_{OUT} \leq 12V$ (ADJ only)		1.7	5	$\mu A$
Quiescent Current	$I_q$		$V_{IN} = V_{OUT} + 1.25V$ (ADJ except)			10	mA
Ripple Rejection	RR		$f = 120Hz$ , $C_{OUT} = 22\mu F$ Tantalum, $V_{IN} - V_{OUT} = 3V$ , $I_{OUT} = 1A$	60	75		dB
Temperature Stability					0.5		%
Long-Term Stability			$T_A = 125^\circ C$ , 1000hrs		0.3		%
RMS Output Noise (% of VOUT)			$T_A = 25^\circ C$ , $10Hz \leq f \leq 10kHz$		0.003		%
Thermal Shutdown Hysteresis					25		$^\circ C$

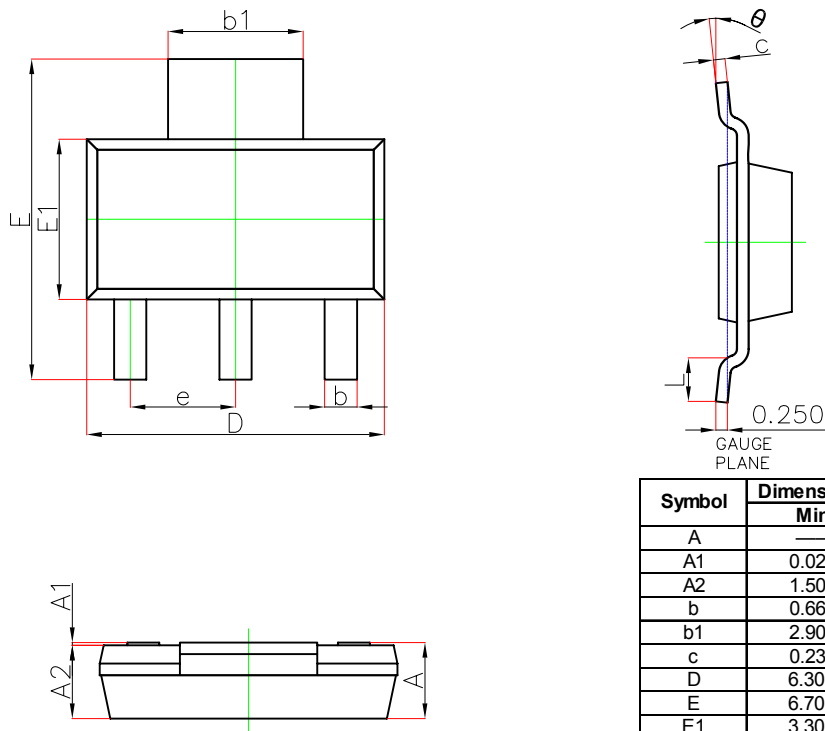
### FUNCTIONAL BLOCK DIAGRAM



### TYPICAL APPLICATION CIRCUIT

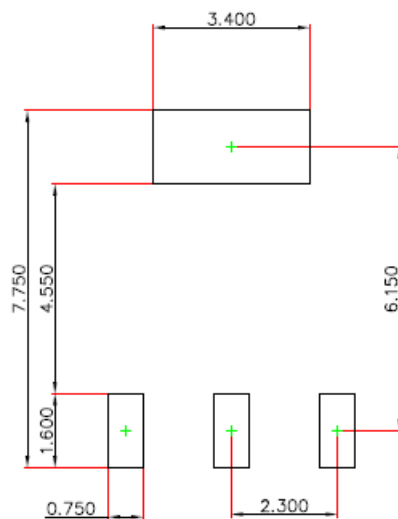


## SOT-223 Package Outline Dimensions



Symbol	Dimensions In Millimeters		Dimensions In Inches	
	Min.	Max.	Min.	Max.
A	—	1.800	—	0.071
A1	0.020	0.100	0.001	0.004
A2	1.500	1.700	0.059	0.067
b	0.660	0.840	0.026	0.033
$b_1$	2.900	3.100	0.114	0.122
c	0.230	0.350	0.009	0.014
D	6.300	6.700	0.248	0.264
E	6.700	7.300	0.264	0.287
$E_1$	3.300	3.700	0.130	0.146
e	2.300(BSC)		0.091(BSC)	
L	0.750	—	0.030	—
$\theta$	0°	10°	0°	10°

## SOT-223 Suggested Pad Layout



### Note:

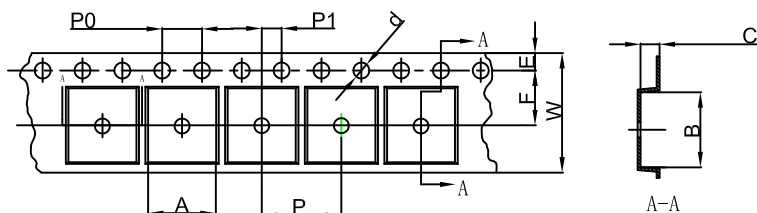
1. Controlling dimension: in millimeters.
2. General tolerance:  $\pm 0.050$  mm.
3. The pad layout is for reference purposes only.

### NOTICE

JCET reserve the right to make modifications, enhancements, improvements, corrections or other changes without further notice to any product herein. JCET does not assume any liability arising out of the application or use of any product described herein.

# SOT-223 Tape and Reel

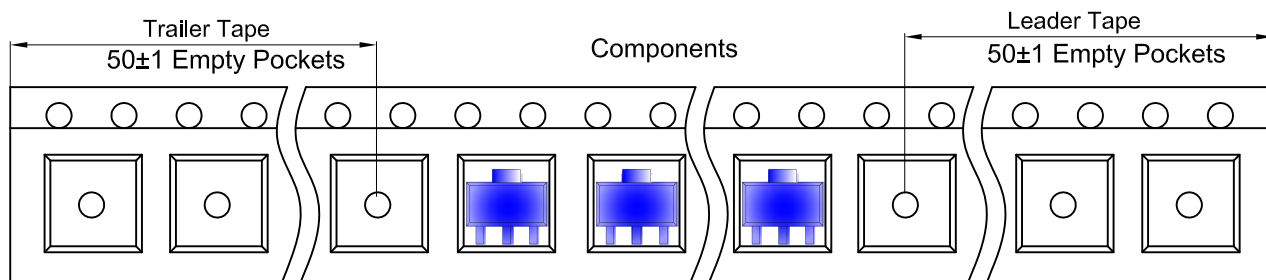
## SOT-223 Embossed Carrier Tape



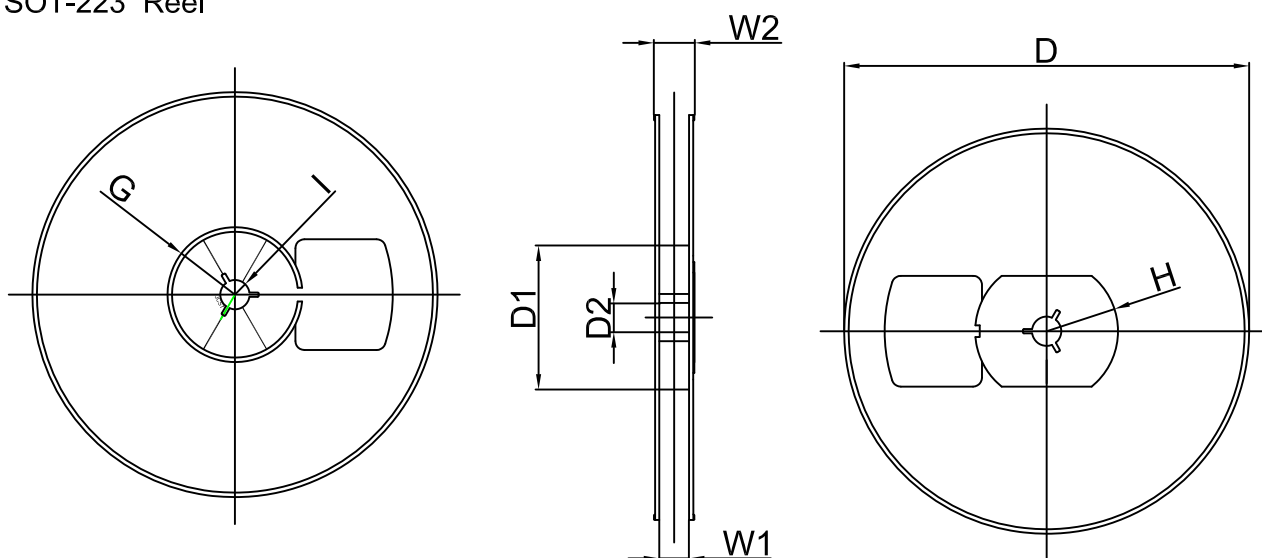
**Packaging Description:**  
 SOT-223 parts are shipped in tape. The carrier tape is made from a dissipative (carbon filled) polycarbonate resin. The cover tape is a multilayer film (Heat Activated Adhesive in nature) primarily composed of polyester film, adhesive layer, sealant, and anti-static sprayed agent. These reeled parts in standard option are shipped with 1,000 units per 7" or 18.0cm diameter reel. The reels are clear in color and is made of polystyrene plastic (anti-static coated).

Dimensions are in millimeter										
Pkg type	A	B	C	d	E	F	P0	P	P1	W
SOT-223	6.765	7.335	1.88	Ø1.50	1.75	5.50	4.00	8.00	2.00	12.00

## SOT-223 Tape Leader and Trailer



## SOT-223 Reel



Dimensions are in millimeter								
Reel Option	D	D1	D2	G	H	I	W1	W2
7" Dia	Ø180.00	60.00	13.00	R30.00	R32.00	R6.50	13.20	16.50

REEL	Reel Size	Box	Box Size(mm)	Carton	Carton Size(mm)	G.W.(kg)
1000 pcs	7 inch	10,000 pcs	203×203×195	40,000 pcs	438×438×220	