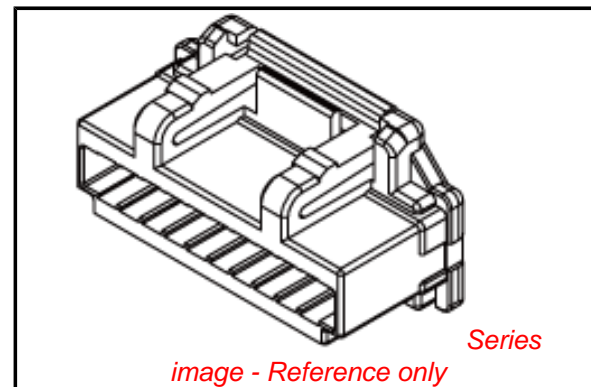


PLEASE CHECK WWW.MOLEX.COM FOR LATEST PART INFORMATION

Part Number: [5031103000](#)
Status: **Active**
Overview: [duoclassp](#)
Description: 1.25mm (.049") Pitch Duo-Clasp™ Wire-to-Board Housing, Dual Row, Positive Lock, 30 Circuits

Documents:

Application Specification (PDF)	Packaging Specification (PDF)
Drawing (PDF)	Product Specification PS-501931-002 (PDF)
3D Model	RoHS Certificate of Compliance (PDF)



General

Product Family	Crimp Housings
Series	503110
Overview	duoclassp
Product Name	Duo-Clasp™

Physical

Breakaway	No
Circuits (maximum)	30
Color - Resin	White
Gender	Plug
Glow-Wire Compliant	No
Keying to Mating Part	Yes
Lock to Mating Part	Yes
Number of Rows	2
Packaging Type	Bag
Panel Mount	No
Pitch - Mating Interface (in)	0.049 In
Pitch - Mating Interface (mm)	1.25 mm
Pitch - Term. Interface (in)	0.049 In
Pitch - Term. Interface (mm)	1.25 mm
Polarized to Mating Part	Yes
Ports	1
Stackable	No
Temperature Range - Operating	-25°C to +85°C

Electrical

Current - Maximum per Contact	1A
-------------------------------	----

Material Info

Reference - Drawing Numbers

Application Specification	AS-503110-001, AS-503110-002
Packaging Specification	PK-503110-001, SPK-503110-001
Product Specification	PS-501931-002, RPS-501931-002
Sales Drawing	SD-503110-001

EU RoHS

**ELV and RoHS
Compliant**
**REACH SVHC
Contains SVHC: No**
**Halogen-Free
Status**

China RoHS



**Need more information on product
environmental compliance?**

Email productcompliance@molex.com
 For a multiple part number RoHS Certificate of Compliance, [click here](#)

Please visit the [Contact Us](#) section for any non-product compliance questions.

Search Parts in this Series

[503110Series](#)

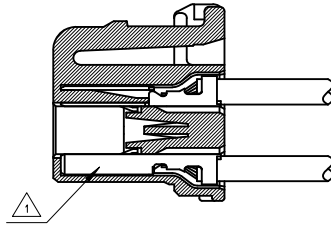
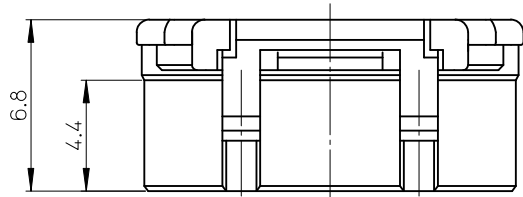
Mates With

[501931](#) PCB Receptacle . [502046](#) PCB Receptacle

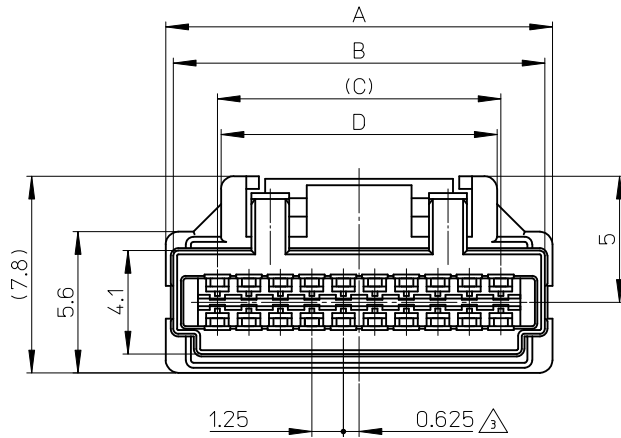
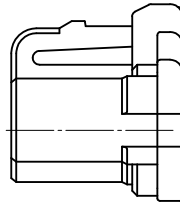
Use With

[501930](#) Crimp Terminal

10 9 8 7 6 5 4 3 2 1

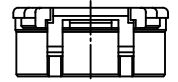
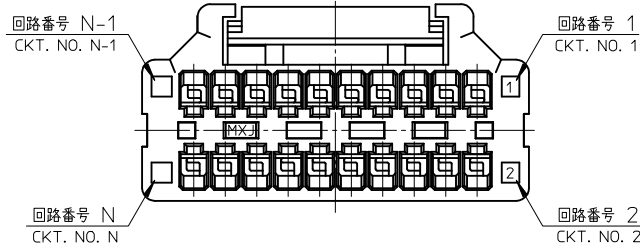


ターミナル装着図
TERMINAL ASSEMBLY DRAWING

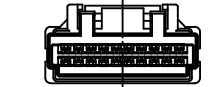


NOTES

- △ 適合ターミナル: 501930-****
APPLICABLE TERMINAL: 501930-****
- 2. 嵌合相手: 501931-****, 502046-****
MATE WITH: 501931-****, 502046-****
- △ 極数/2=偶数に適用。
APPLY FOR CKT. SIZE / 2 = EVEN.
- 4. アプリケーション仕様書(コネクタ取扱説明書)
AS-503110-001, AS-503110-002
APPLICATION SPECIFICATIONS (CONNECTOR MANUAL)
AS-503110-001, AS-503110-002
- 5. 製品仕様書: PS-501931-002
Product specification: PS-501931-002
- 6. ELV 及び RoHS 適合品
ELV AND RoHS COMPLIANT



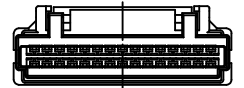
20ckt.



30ckt.

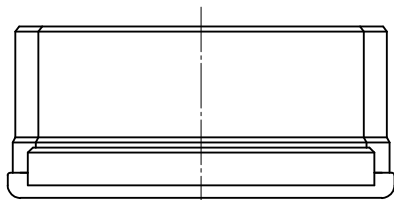


40ckt.



極数の種類 (正面図)

KIND OF CKT. NO. (FRONT VIEW)



23.45	23.75	27.25	27.85	503110-4000	40
17.2	17.5	21	21.6	503110-3000	30
10.95	11.25	14.75	15.35	503110-2000	20
D	C	B	A	PLASTIC BAG	極数
オーダー番号 ORDER No.					CIRCUITS

CONNECTOR SERIES No. 503110-***00

REVISED EC NO: J2010-1278 DRWN: YOSHIKAWA 2009/12/16 CHKD: K. ASAKAWA 2009/12/16 APPR: NUKITA 2009/12/16	GENERAL TOLERANCES (UNLESS SPECIFIED)		DIMENSION STYLE MM ONLY		SCALE 5:1	DESIGN UNITS METRIC	THIRD ANGLE PROJECTION
	10 UNDER	±0.2	DRAWN BY N. NISHI	DATE 2007/11/16	TITLE 1.25 W/B CONN.DUAL PLUG HOUSING		
	10 OVER 30 UNDER	±0.25	CHECKED BY K. ASAKAWA	DATE 2007/11/16	MOLEX INCORPORATED		
	30 OVER	±0.3	APPROVED BY Y.O. ITO	DATE 2007/11/16	DOCUMENT NO. SD-503110-001		
	ANGULAR ±3 °		MATERIAL NO. SEE TABLE		SHEET NO. 1 OF 1		
DRAFT WHERE APPLICABLE MUST REMAIN WITHIN DIMENSIONS		THIS DRAWING CONTAINS INFORMATION THAT IS PROPRIETARY TO MOLEX INCORPORATED AND SHOULD NOT BE USED WITHOUT WRITTEN PERMISSION					

部品 PART	材質 MATERIAL
ハウジング HOUSING	ポリエステル(PBT) UL94V-0 色: 白 POLYESTER(PBT) UL94V-0 COLOR: WHITE