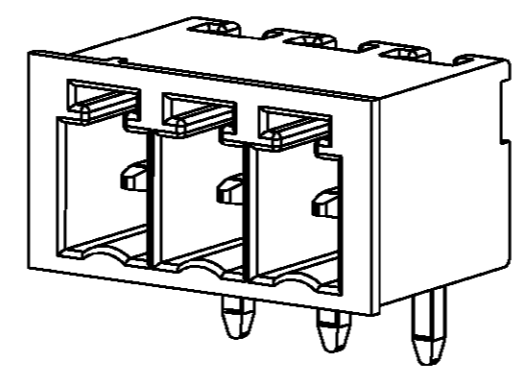
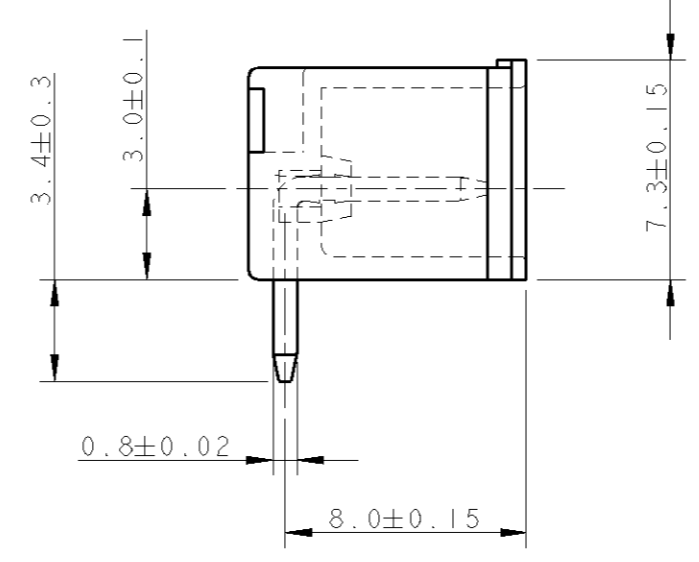
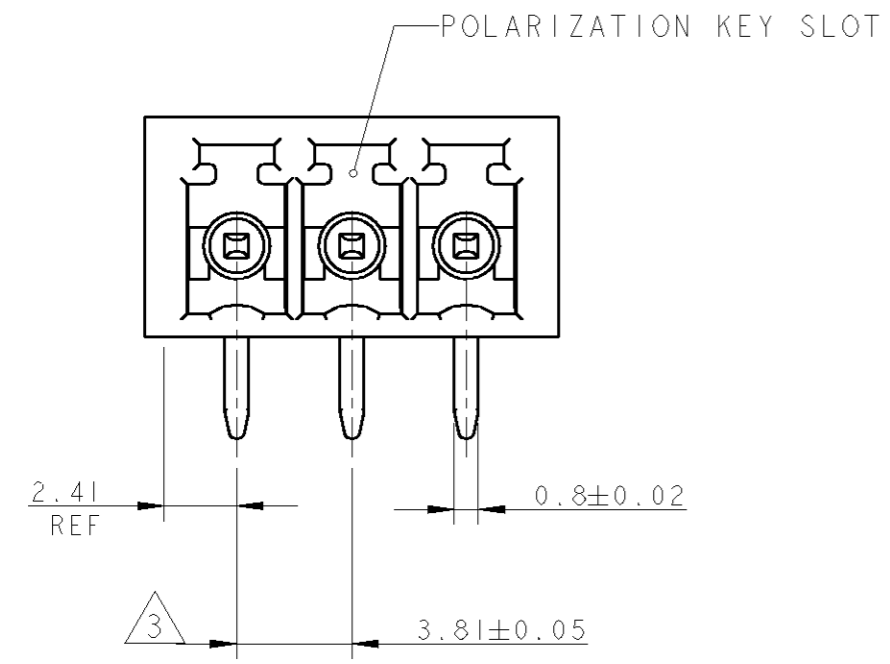
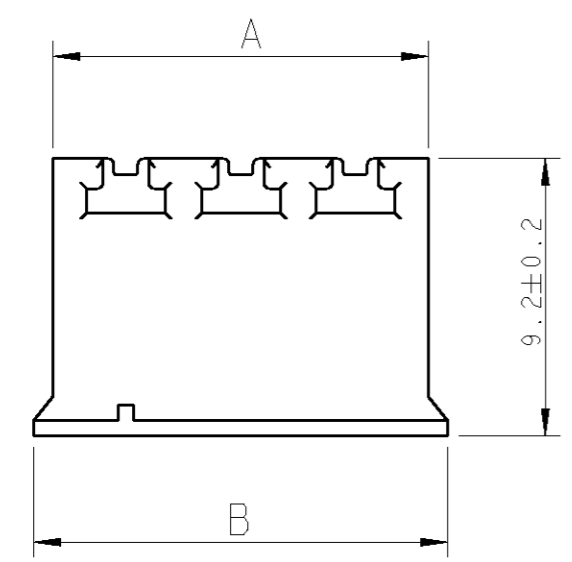


THIS DRAWING IS UNPUBLISHED. RELEASED FOR PUBLICATION 20  
 © COPYRIGHT 20 BY TYCO ELECTRONICS CORPORATION. ALL RIGHTS RESERVED.

LOC	DIST	REVISIONS			
P	LTR	DESCRIPTION	DATE	DWN	APVD
	B	REVISED PER 0G3B-0119-01	06FEB2002	EZ	DB
	C	REVISED EC 0G3B-0401-04	02JUN2004	SW	CR



284513-3 AS SHOWN

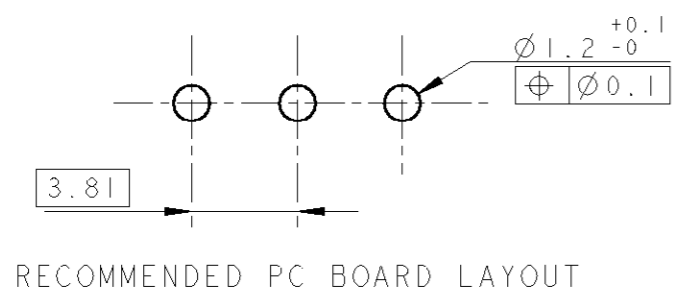


1 MATERIALS AND FINISH  
 HOUSING : PA 6.6, UL 94-V0, COLOR GREEN  
 TERMINAL : PHOSPHOR BRONZE, TIN PLATED

2 SUITABLE FOR 1.6-2.4 mm. PC BOARD THICKNESS

3 NOT CUMULATIVE TOLERANCE

97.54	96.26	25	2-284513-5
93.73	92.45	24	2-284513-4
89.92	88.64	23	2-284513-3
86.11	84.83	22	2-284513-2
82.30	81.02	21	2-284513-1
78.49	77.21	20	2-284513-0
74.68	73.40	19	1-284513-9
70.87	69.59	18	1-284513-8
67.06	65.78	17	1-284513-7
63.25	61.97	16	1-284513-6
59.44	58.16	15	1-284513-5
55.63	54.35	14	1-284513-4
51.82	50.54	13	1-284513-3
48.01	46.73	12	1-284513-2
44.20	42.92	11	1-284513-1
40.39	39.11	10	1-284513-0
36.58	35.30	9	284513-9
32.77	31.49	8	284513-8
28.96	27.68	7	284513-7
25.15	23.87	6	284513-6
21.34	20.06	5	284513-5
17.53	16.25	4	284513-4
13.72	12.44	3	284513-3
9.91	8.63	2	284513-2
B	A	NO OF POS	PART NUMBER



THIS DRAWING IS A CONTROLLED DOCUMENT FOR TYCO ELECTRONICS CORPORATION. IT IS SUBJECT TO CHANGE AND THE CONTROLLING ENGINEERING ORGANIZATION SHOULD BE CONTACTED FOR THE LATEST REVISION.

DIMENSIONS:	TOLERANCES UNLESS OTHERWISE SPECIFIED:	DWN	06FEB2002	<b>BUCHANAN</b> Tyco Electronics Harrisburg, PA 17105-3608
mm		CHK	06FEB2002	
		APVD	06FEB2002	
		PRODUCT SPEC	108-20166	
		APPLICATION SPEC	114-20079	NAME
MATERIAL	FINISH	WEIGHT	-	TERMINAL BLOCK, HEADER ASSEMBLY 90 DEGREES, CLOSED ENDS 3.81mm PITCH
		CUSTOMER DRAWING		SIZE A3 CAGE CODE 00779 DRAWING NO C-284513 RESTRICTED TO -
		SCALE	4:1	SHEET 1 OF 1 REV C