

# POS



## PA-3320

### Highly Integrated 15" POS Terminal

#### Features and Benefits:

- H Intel® Atom™ D525 CPU
- 15" True Flat Touch Screen
- Bezel Free Front Panel
- All-in-One POS with integrated 2" or 3" Thermal Printer
- Optional MSR / i-Button / Fingerprint
- Optional VFD / 2nd Display
- Optional integrated Wireless LAN / RFID



#### Protech Systems Co., Ltd.

No. 24, Lane 365, Yang Goang Street, Nei Hu District Taipei 114, Taiwan  
TEL: +886-2-8751-1111 FAX: +886-2-8751-1199  
E-mail: [sales@protech.com.tw](mailto:sales@protech.com.tw)  
<http://www.protech.com.tw>

#### Protech Technologies Inc.

950 Fee Ana St, Suite B Placentia, CA 92870  
TEL: +1-714-996-7200 FAX: +1-714-996-7300  
Sales: [sales@protech-usa.net](mailto:sales@protech-usa.net)  
<http://www.protech-usa.net>

#### Protech Japan Co., Ltd.

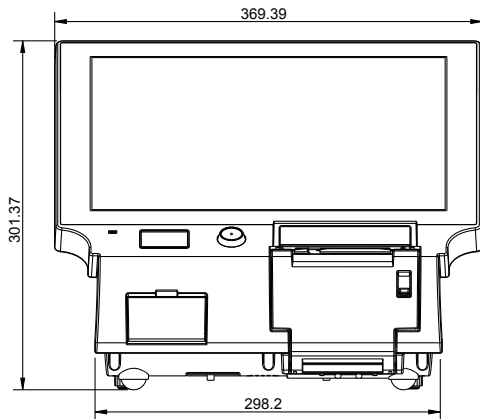
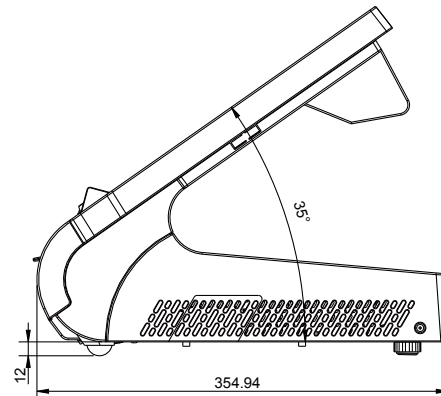
OSK Bldg, 6F, 6-25-14, Minami-ohi Shinagawa-ku, Tokyo, 140-0013  
TEL: +81-3-5753-8411 FAX: +81-3-3763-9282  
E-mail: [sam@protech-j.com](mailto:sam@protech-j.com)  
<http://www.protech-j.com>



ISO CERTIFIED  
9001 14001

# PA-3320

## Highly Integrated 15" POS Terminal

**Front View****Side View**

Unit: mm

**Specification****System**

<b>CPU Support</b>	Intel® Atom™ D525 CPU
<b>Memory</b>	1 x DDR3 SO-DIMM, Default 1GB (up to 4GB)
<b>Core Logic</b>	Intel® ICH8M
<b>Network</b>	10/100/1000 Base-T Fast Ethernet
<b>Power Supply</b>	120Watt power adapter
<b>System Weight</b>	9 kg
<b>Dimension (W x H x D)</b>	369 x 298 x 354 mm
<b>O.S. Support</b>	POSReady 2009 / POSReady 7 / Windows XP / Windows 7

**Storage**

<b>SSD</b>	1 x SATA SSD
<b>HDD</b>	1 x 2.5" SATA HDD

**I/O Ports**

<b>USB</b>	4 x USB 2.0 ports / 1 x USB 2.0 on side bezel
<b>Serial Ports</b>	2 x DB-9 (COM 2/3), 1 x RJ45 (COM 1), +5/12V Selectable (COM 1~3)
<b>PS/2</b>	1 x PS/2 ports (default at keyboard)
<b>LAN</b>	1 x RJ-45
<b>VGA</b>	1 x DB-15 VGA interface
<b>Audio</b>	1 x 2W speaker
<b>Cash Drawer</b>	1 x RJ11 (+12V or +24V selectable)

<b>Keyboard &amp; Mouse</b>	1 x PS/2 port
<b>Printer</b>	2" or 3" easy loading thermal printer with auto cutter
<b>Option</b>	1 x DB-25 Parallel Port, 1 x DB-9 Serial Port

**Display**

<b>LCD</b>	15" TFT LCD
<b>Max. Resolution</b>	1024 x 768
<b>Brightness</b>	250 cd/m <sup>2</sup>
<b>Touch Screen</b>	5-wire Analog resistive
<b>Viewing Angle</b>	30 ~ 40 degree

**Environment**

<b>EMC &amp; Safety</b>	CE / FCC
<b>Operating Temp.</b>	0 ~ 35° C
<b>Storage Temp.</b>	-20 ~ 60° C
<b>Humidity</b>	20 ~ 90%

**Ordering Information**

<b>PA-3320RA-A0B</b>	15" D525 All-in-One POS, 5W Flat Resistive Touch (black)
<b>PA-3350RZ-22A</b>	DDR3 2GB Memory / 2.5" HDD
<b>PA-3350RZ-30B</b>	PA-3350 Front Bezel
<b>PA-3350RZ-41B</b>	ID-Tech MSR
<b>52-002-02861001</b>	120W power adaptor
<b>PA-3350RZ-57B</b>	Embedded module, 3" Printer, USB Interface
<b>PA-3350RZ-61B</b>	Embedded VFD module
<b>PA-3350RZ-70B</b>	Bottom cover

All of trademarks and brand names are the property of their owners. Trademark "Protech" is the property of Protech Systems Co., Ltd. All information contained in this document is subject to change without any prior notice. This catalog is copyrighted in Dec. 2012.