



深圳市首韩科技有限公司

SHENZHEN SHOUHAN TECHNOLOGY CO.,LTD

Tel: 0755-27597601 Fax: 0755-27597491

承 认 书

SPECIFICATION FOR APPROVAL

客 户 Customer:

产品名称 Project:

USB插座

规格型号 Part No:

10.0 QTJ6.3 (10.0全贴卷边6.3)

贵公司承认印 Approval signatures

料 号/Part No.	签 章/Signatures

日期 Date:

拟制/Drawn	李春风	
审核/Check	刘学	
批准/Approved	罗孝金	



深圳市首韓科技有限公司

SHENZHEN SHOUHAN TECHNOLOGY CO.,LTD

Tel: 0755-27597601 Fax: 0755-27597491

Page

1/1

MODEL

10.0 QTJ6.3(10.0
全貼卷邊6.3)

產品名稱 Part Name	10.0短体系列	測試日期 Date of Testing	2012.04.03~ 2012.04.04	報告編號 Report NO.	MD20120403-02	
產品型號 Part Name	91-US01-424	樣品數量 Quantity	5PCS	測試環境 Measuring Environment	濕度Temp:18~21°C 相對濕度R.H.:49%~57%	

一.電性測試 ELECTRICAL TEST

序號 NO.	測試項目 Testing Item	測試條件 Testing Conditions	測試設備 Testing Equipment	規格 SPEC	測試記錄Testing Result					判定Judge	
					1	2	3	4	5	Pass	Fail
1	Contact resistance	Test current:150mA max	DIGITAL MICRO-OHMMETER	30 mΩ Max	16.58 mΩ	17.34 mΩ	18.57 mΩ	17.27 mΩ	19.60 mΩ	P	
2	Insulation resistance	Test voltage:500VDC Operation stated:1min	ULTRA HIGH RESISTANCE METER	1000 MΩ Min	1420 MΩ	1531 MΩ	1575 MΩ	1620 MΩ	1771 MΩ	P	
3	Dielectric withstand voltage	Test voltage:500VAC Cut-off current:0.5mA Operation stated:1 min	BREAKDOWN TESTER	No discharge or flashover occur	Pass	Pass	Pass	Pass	Pass	P	

二.機械特性測試 MECHANICAL TEST

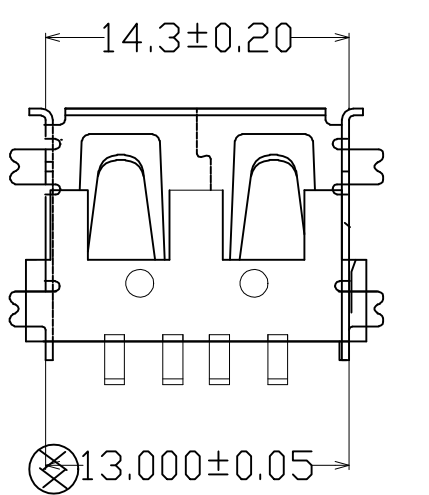
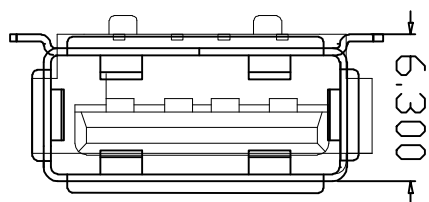
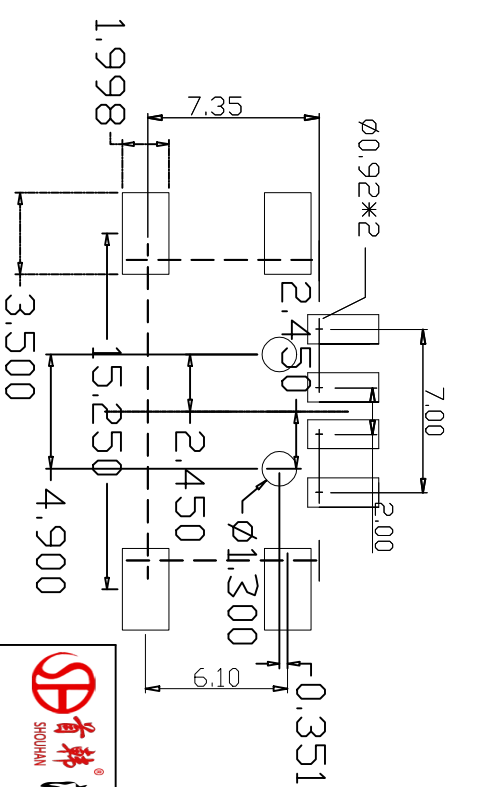
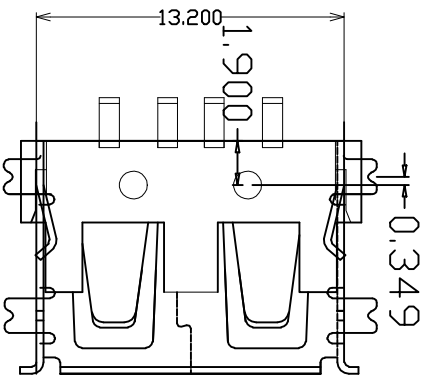
序號 NO.	測試項目 Testing Item	測試條件 Testing Conditions	測試設備 Testing Equipment	規格 SPEC	測試記錄Testing Result					判定Judge	
					1	2	3	4	5	Pass	Fail
1	Durability test	Rate:200cycles/hour Total: 1500 cycles	LIFE TESTER FOR CONNECTOR	No physical damage	Pass	Pass	Pass	Pass	Pass	P	
2	Mating Force	35 Newtons maximum at a maximum rare of 7.5mm per minute	Insertion force testing machine	No physical damage	Pass	Pass	Pass	Pass	Pass	P	
3	Un-Mating Force	10 Newtons minimum at a maximum rare of 7.5mm per minute	Insertion force testing machine	No physical damage	Pass	Pass	Pass	Pass	Pass	P	

三.環境特性測試 ENVIRONMENTAL TEST

序號 NO.	測試項目 Testing Item	測試條件 Testing Conditions	測試設備 Testing Equipment	規格 SPEC	測試記錄Testing Result					判定Judge	
					1	2	3	4	5	Pass	Fail
1	Humidity-Temperature cycle	Temperature: 40±2°C Humidity: 90~95% Duration:168H	PROGRAM CONTROLLED TEMP. & HUMIDTY CHAMBER	No physical damage	Pass	Pass	Pass	Pass	Pass	P	
2	Heat test	Temperature: 70±2°C Duration:168H	OVEN	No physical damage	Pass	Pass	Pass	Pass	Pass	P	

1		2		3		4		5		6		7		8	
NO.	PART NO.	NAME	MATERIAL	COLOR	QTY	REV	DESCRIPTION	DATE							
1	ADP-C002X3000	USB A/F 媒体1A 6P+1A 2X10.1 90°(GEN2.0)	Copper Alloy/SPCC		1PCS										
2	ADP-1000X1000	USB A/F 媒体1A 6P状态	PBT		1PCS										
3	ADP-2620X1000	USB A/F 90° 11P+1A 6P+1A (2.55间距)	Copper Alloy		4PCS										

NOTES:
 1. MATERIAL SPECIFICATION
 1) INSULATION MATERIAL THERMOPLASTIC.
 2) SHELL: COPPER ALLOY/SPCC, T: 0.30mm
 PLATING: NICKEL
 3) TERMINAL: COPPER ALLOY, T: 0.25mm
 PLATING: GOLD/TIN PLATED.
 2. ELECTRICAL CHARACTERISTIC:
 1) INSULATION RESISTANCE: 1000MΩ MIN.
 2) CONTACT RESISTANCE: 30mΩ MAX.
 3) WITHSTANDING VOLTAGE: 500V AC.
 3. MECHANICAL CHARACTERISTICS:
 1) INSERTION FORCE: 3.57kgf MAX.
 2) EXTRACTION FORCE: 1.02kgf MIN.
 ORDERING INFORMATION



TOLERANCE					
	I	II	III	IV	V
A	± 0.20	± 0.10	± 0.05	± 0.03	± 1°
B	± 0.50	± 0.20	± 0.10	± 0.05	± 2°
C					

MATERIAL:	UNIT:	THIRD ANGLE
SURFACES:	SCALE:	
KEY:	KEY:	



DRAWING BY	Brand/Model:
李春风	10.0 0716.3(10.0全脚卷边)
CHECK BY	PART NAME:
刘学	6.3
APPROVED	DRAWING NO.
罗孝金	
DATE:	USER'S OR TOOLING NO.