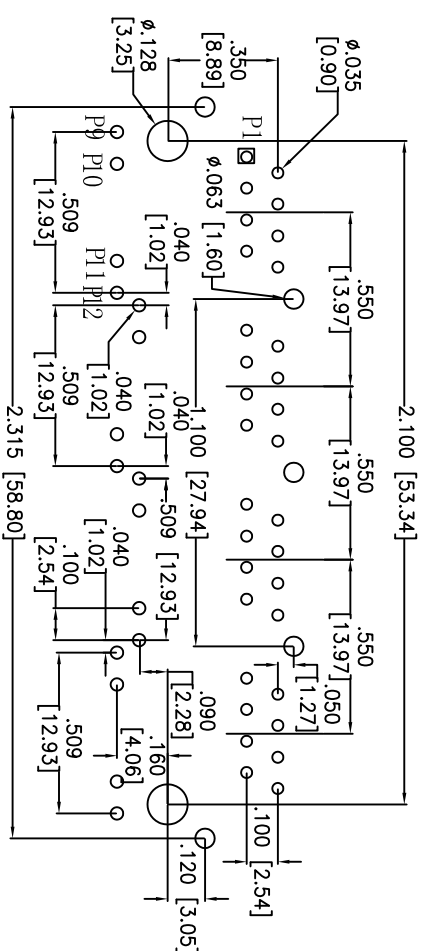
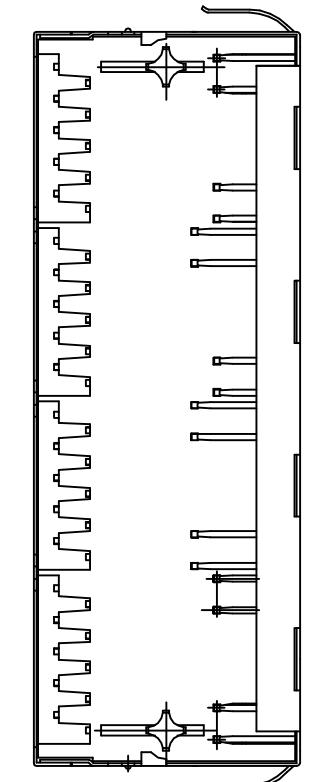
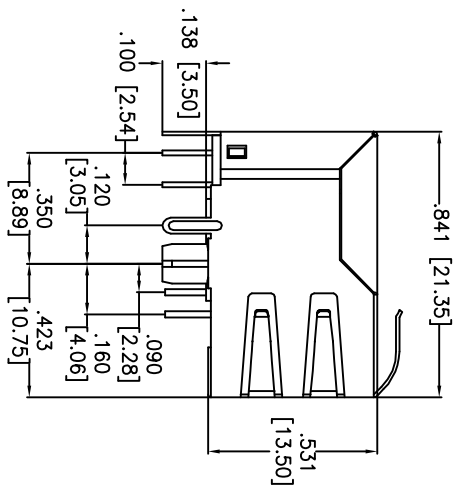
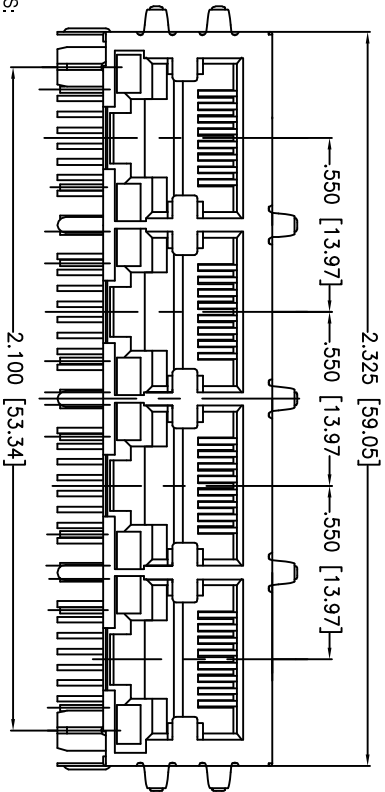


Rev	AWO #	Description	Date	Appr
-	10391	RELEASED	7/02/10	

APPROVED: \_\_\_\_\_  
 DATE: \_\_\_\_\_ TITLE: \_\_\_\_\_



RECOMMENDED PCB LAYOUT



X	PLATING
0	15 μin Gold
1	30 μin Gold
2	50 μin Gold

**SPECIFICATIONS:**

Material:

Insulator: PBT, glass reinforced, rated UL 94V-0

Insulator color: Black

Contacts: Copper Alloy

Shield: Copper Alloy, Nickel plated

Contact Plating:

Gold Flash over Nickel underplate on contact area,  
 Tin over Copper underplate on tails  
 (See chart for thickness).

Electrical:

Operating voltage: 150 VAC max

Current rating: 1.5 Amps max

Contact Resistance: 20 mohms max. initial

Insulation resistance: 500 Mohms min @ 500 VDC

Dielectric withstanding voltage: 1000 VAC for 1 minut

Temperature Rating:

Operating temperature: -40°C to +125°C

Environmental:

Lead free, RoHS compliant.  
 Recommended soldering temp: 235°C for 5 sec.



UNLESS OTHERWISE SPECIFIED  
 ALL DIMENSIONS ARE IN INCHES [MM]  
 TOLERANCES: EXCEPT AS NOTED  
 INCHES: .10, .020, .015  
 HOLES: .010, .015, .010  
 APPROVALS: \_\_\_\_\_ DATE: \_\_\_\_\_

**ADAM TECH**

909 Rahway Avenue, Union, NJ 07083  
 Phone: 908-687-5000 Fax: 908-687-5710

TITLE: MODULAR JACK GANGED, 4 PORT, 8P8C  
 W/LED1 GREEN, LED2 YELLOW

REV.	DATE	DESCRIPTION	BY	DATE
0			DY	7/02/10
1				
2				