

規格承認書

PECIFICATION FOR APPROVAL

客戶

CUSTOMER : 立创

項目

ITEM : 超声波传感器

型號

TYPE : GU1812B-40TR

描述

DESCRIPTION : $\phi 18 \times H12\text{mm}$ $40 \pm 1.0\text{KHz}$ 双角度 $80 \pm 15\%$ 1800PF 插针 收发

客戶料號

CUSTOMER NO. :

規格書號

SPECIFICATION NO.:

版本

EDITION NO. : V1.0

日期

DATE : 2017-5-4

客戶承認

CUSTOMER CONFIRM AND SIGN

| 檢查 TESTED BY | 審核 CHECKED BY | 承認 APPROVED BY |
|-----------------|------------------|-------------------|
| | | |

東莞市贏海電子有限公司

DONGUAN INGHAI ELECTRONICS CO.,LTD

| 製作 ISSUED BY | 審查 CHECKED BY | 確認 APPROVED BY |
|-----------------|------------------|-------------------|
| 周明 | 刘承成 | |

地址: 廣東省東莞市長安鎮上沙第五工业区新春 1 路新春科技园

電話 / TEL: 0769-83060958 傳真 / FAX: 0769-81608993

網址: [HTTP://WWW.INGHAI.COM](http://www.inghai.com)

A. Scope

This specification applies Ultrasonic sensor **GU1812B-40TR**

B. Characteristics

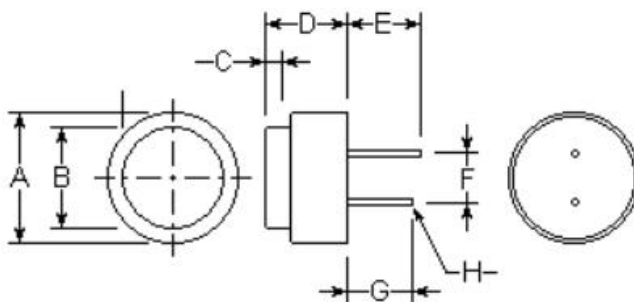
- 1.1) Open structure and separate use
- 1.2) Compact and light weight
- 1.3) High sensitivity and sound pressure
- 1.4) Less power consumption
- 1.5) High reliability



C. Technical terms

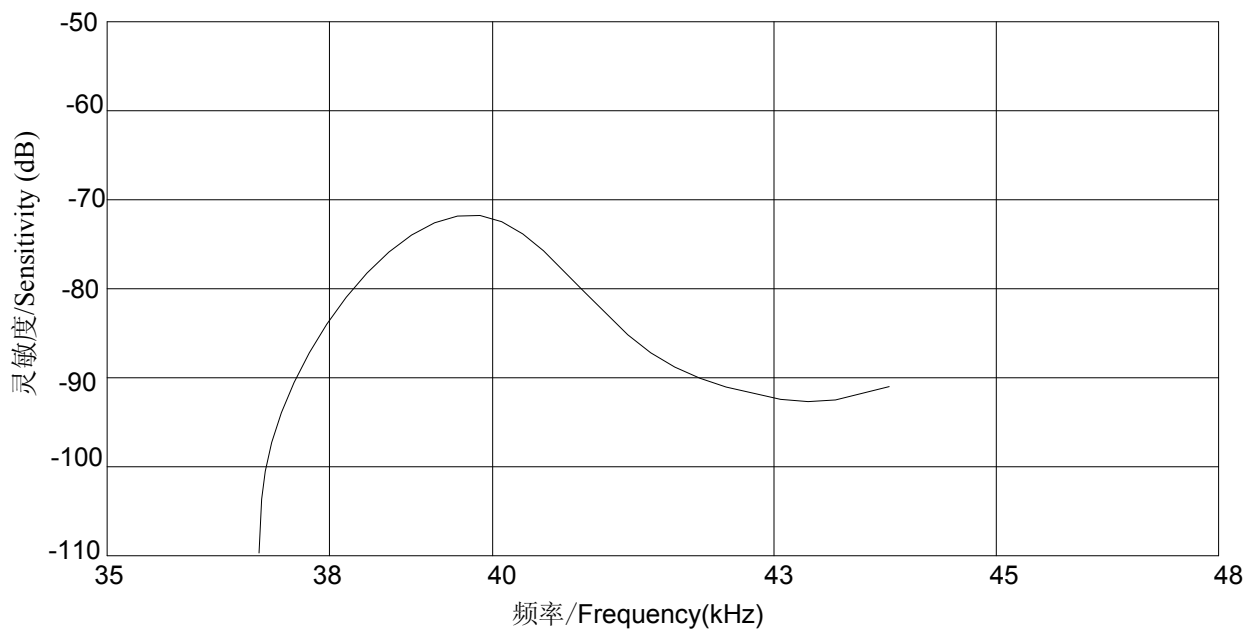
| | | |
|----|---------------------------------------|---|
| 1 | Center frequency(KHz) | 40±1.0 KHz |
| 2 | S. P. L | ≥105 dB |
| 3 | Echo Sensitivity | ≥250 mV |
| 4 | Decay Time | ≤1.2 ms |
| 5 | Directivity (deg) X-axis | 80±15 |
| 6 | Directivity (deg) Y-axis | 60±15 |
| 7 | Capacitance (pF) | 1800±20% |
| 8 | Allowable Maximum Input Voltage(Vp-p) | 120(40KHz) Pulse width 0.5ms, interval 20ms |
| 9 | Operating Temperature(°C) | -40~+80 |
| 10 | Storage temperature(°C) | -40~+85 |

D. Drawing

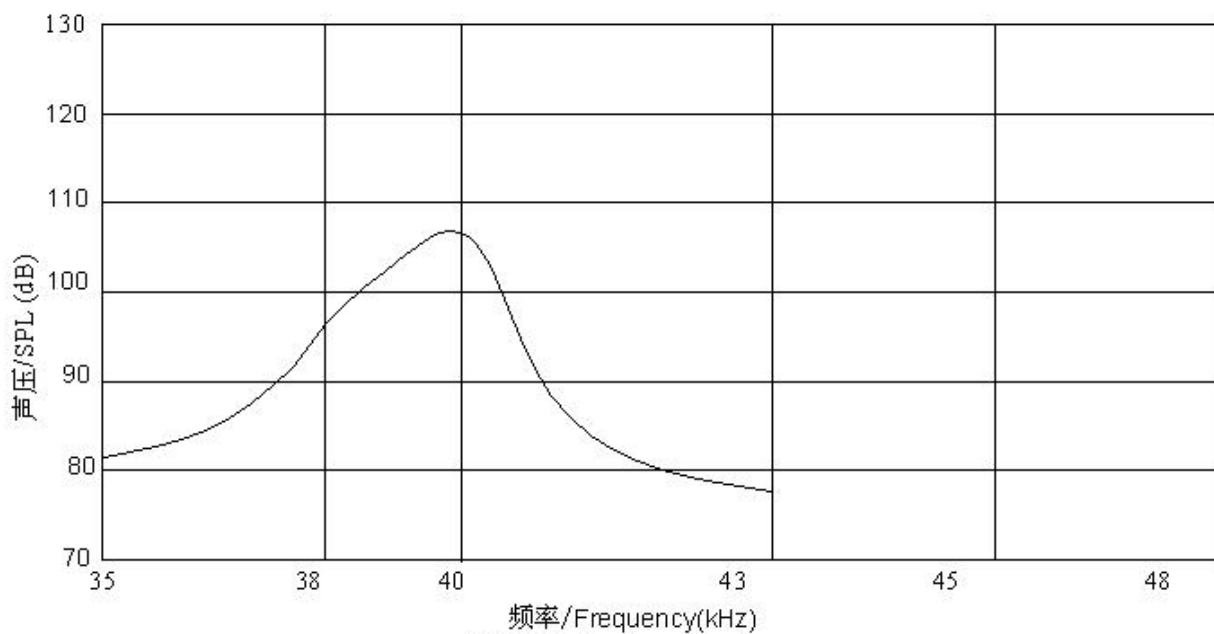


| | | |
|---|---|-----------|
| A | = | ∅16.0±0.5 |
| B | = | 12.5±0.5 |
| C | = | 3.0±0.5 |
| D | = | 10.0±0.5 |
| E | = | 9.0±0.5 |
| F | = | 5.0±0.5 |
| G | = | 7.0±0.5 |
| H | = | ∅0.6±0.1 |

E. Beam Pattern



灵敏度-频率特性图/Sensitivity-Freq.Characteristics



声压-频率特性图/SPL-Freq.Characteristics



指向性/Directivity in Sensitivity

F. Test Circuit

Receiver



RL: $3.9K\Omega$

U.S. :Ultrasonic Sensor

S.C.M:Standard Cappacitor Microphone

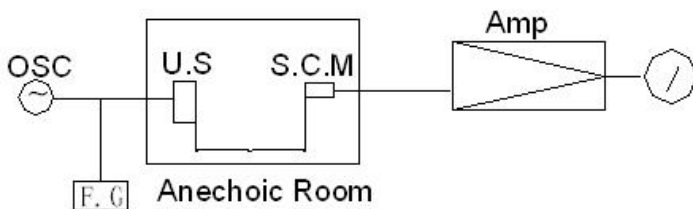
Amp. :Amplifier

OSC. :Oscillator

Sp :Tweeter

F.C. :Frequency Counter

Transmitter



U.S. :Ultrasonic Sensor

S.C.M:Standard Cappacitor Microphone

Amp. :Amplifier

Input voltage:10Vrms

F.C. :Frequency Counter