

CONNECTORS

Operation: SMT 沉板/导边型&卧式 (5PIN) MICRO-USB 连接器



LTEM NO.: MC-110-P4 (Series)

(L10.25×W7.50×H2.4 MICRO-USB CONNECTORS)



表面贴装 SMT

側向操作

精密部品 NICETY

可靠 STABILIZE

適合環保 RoHS

Technical parameter

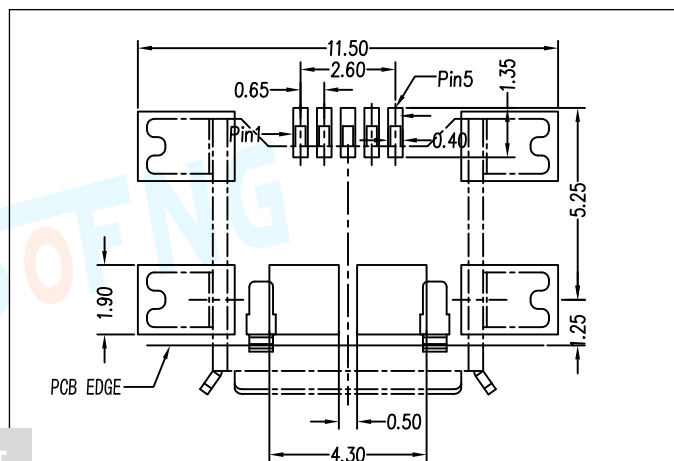
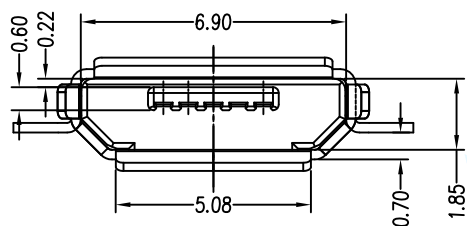
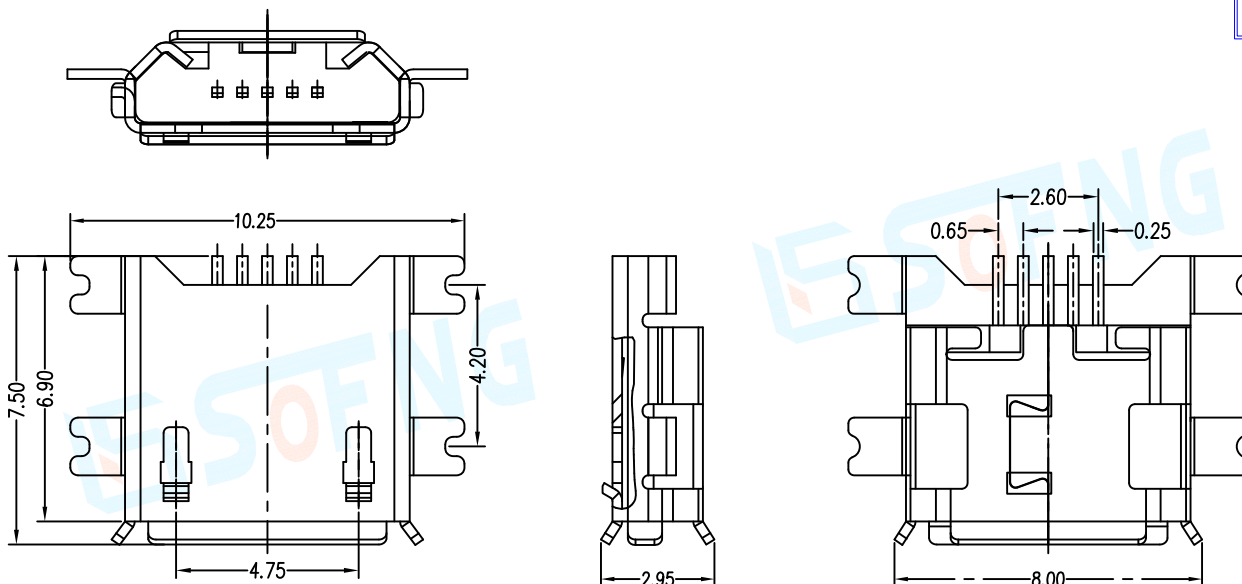
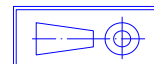
PROJECT	LEVEL	A[better product]	B[average product]
Electrical Properties	Contact Rating	0.5A, 24V DC	
	Initial Contact Resistance	50mΩ max.	
Durable Performance	Insulation Resistance	100MΩ min.500V DC	Skey/PD: 100MΩ min.300V DC
	Withstand Voltage	500V AC for 1 minute	350 V AC for 1 minut
	There No Load	6,000 Cycles	5,000 Cycles
	Rated Load	5,000 Cycles	4,000 Cycles
Storage temp.	-35℃~+75℃(Operating Temp:)		
Operating Force	IF: 35N MAX. (EF: 10. 0N MIN.)		
Heat Rrsistance	IR Ref low: 255℃, 5sec. Manual: 350℃, 3sec.		

Material declaration		
No.	NAME	Description
① A	基座	LCP (Gray) 耐高温塑胶 UL94V-0
② B	外壳	黄铜 C2680/SPCC(镀镍 50u" min)
③ C	动态端子	磷铜 C5191 (镀金 1u" / 焊区雾锡)

CIRCUIT DIAGRAM

1	V BUS	+5V
2	-DATA 0	Neagative Data Channel 0
3	+DATA 0	Positive Data Channel 0
4	ID	OTG
5	GND	Ground

Unit:mm



P.C.B LAYOUT