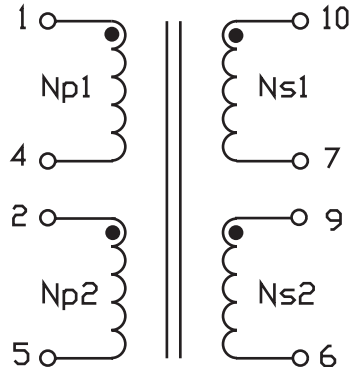


VDSL CO MAGNETICS

S560-6600-LT

ELECTRICAL CHARACTERISTICS (@25°C)

SCHEMATIC



4 : 3

NOMINAL TURNS RATIO:

<1-5> : <10-6> 4 : 3

CONNECT TERMINALS 2 TO 3 & 6 TO 7

DC RESISTANCE:

<1-5> 0.70 Ω MAX

<10-6> 0.50 Ω MAX

CONNECT TERMINALS 4 TO 2 & 7 TO 9

INDUCTANCE @ 10 kHz, 0.1 Vrms, 0 AMP DC:

<1-5> 2 mH MIN.

CONNECT TERMINALS 4 TO 2

LEAKAGE INDUCTANCE:

<1-5> 0.70μH MIN - 1.10μH MAX

CONNECT TERMINALS 4 TO 2

SHORT TERMINALS 10, 7, 9 & 6

TOTAL HARMONIC DISTORTION

-80 dB MAX

14.5 dBm, 138kHz - 12MHz, 100Ω LINE AND 56.3Ω LOAD.

MINIMUM DIELECTRIC RATING:

BETWEEN <1-5> & <10-6> 1500 Vrms

CONNECT TERMINALS 4 TO 2 & 7 TO 9

LINE WINDINGS <1-4> <2-5> ARE CAPABLE OF HANDLING 300mA DC

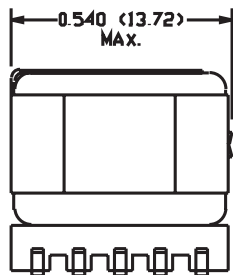
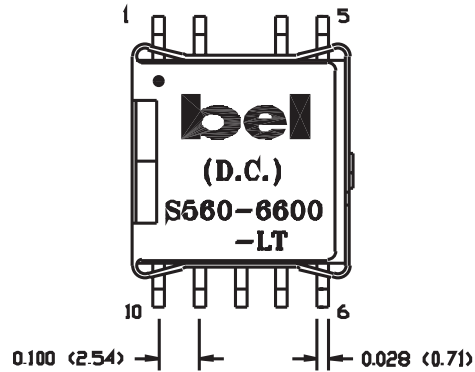
DESIGNED TO COMPLY WITH EN60950 WITH SUPPLEMENTARY INSULATION.

OPERATING TEMPERATURE RANGE:

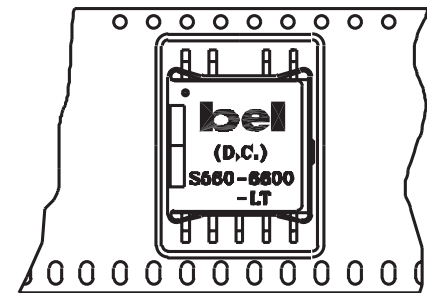
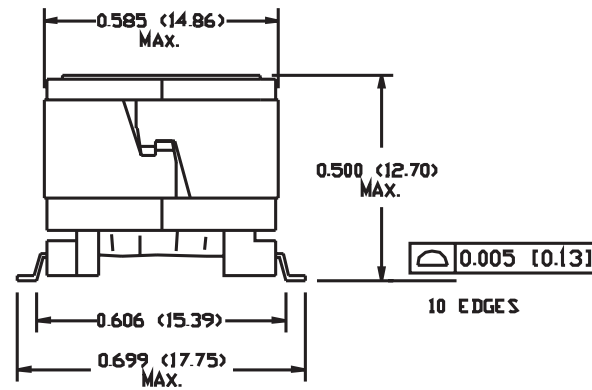
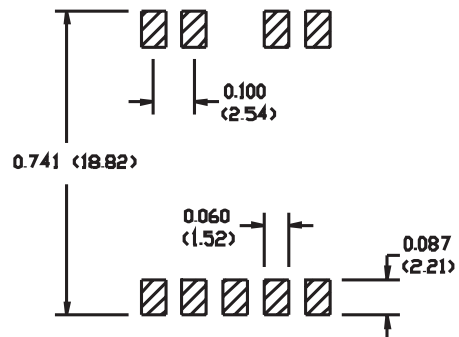
-40°C TO +85°C

VDSL CO MAGNETICS

S560-6600-LT



SUGGESTED PAD LAYOUT



USER FEED DIRECTION

ORIENTATION OF COMPONENT INSIDE POCKET

TAPE WIDTH	32MM
POCKET PITCH	24MM
QUANTITY OF COMPONENTS PER REEL	200
PLASTIC REEL OUTER DIAMETER	13 INCHES
PLASTIC REEL HUB DIAMETER	4 INCHES