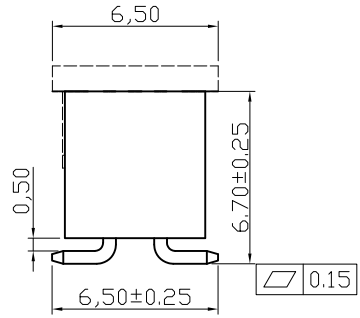
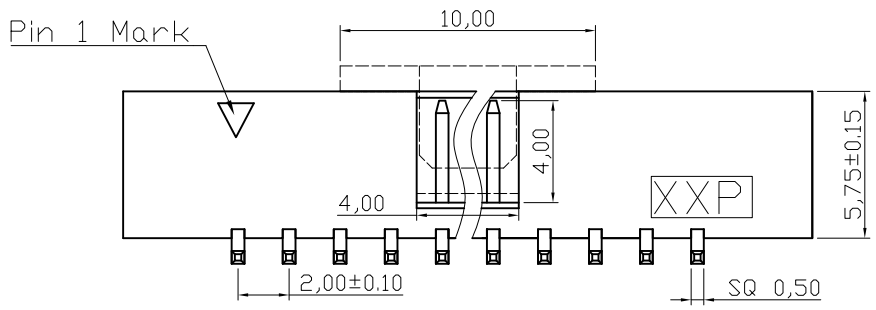
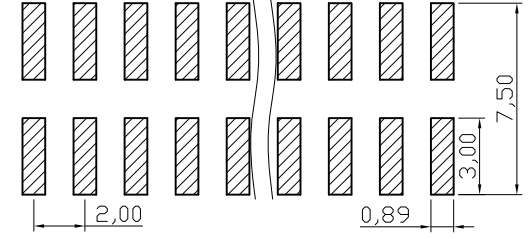


Recommended P.C.B Layout(Top Side)  
(PCB BOARD TOLERANCE±0.05)



**NOTES:**

**MATERIAL**

- 1.Insulator Material:PA6T+30%GF(UL94V-0),Black
- 2.Contact Material : Brass
- 3.Contact Plating : Gold flash Over 50μ"Ni

**ELECTRICAL**

- 1.Current Rating : 1.5AMP
- 2.Withstand Voltage : 500V AC/DC
- 3.Contact Resistance : 20mΩ max
- 4.Insulation Resistance: 1000MΩ min

**ENVIRONMENTAL**

- 1.Operation Temperature: -40°C to +105°C

**2.Packing :**

- AWHW xxG-SMD-200: Tube + Cap ③
- AWHW xxG-SMD-200-R: Tape&Reel + Cap

**Order Information :**

xx: 10,14,16,20,24,26,30,34,40,44,50,60

**RoHS compliant**  
Unit:mm

Scale	Free					Date	Name	Customer-No.
TOLERANCE						Drawn	25.01.2006	Alex
X.X	±0.40					Approved	21.02.2012	Hellwig
X.XX	±0.25							
X.XXX	±0.15	③	Add new P/N	21.02.2012	Lucas			ASSMANN WSW-No. AWHW xxG-SMD-200 ③ AHWW xxG-SMD-200-R
Angle°	±3°	②	Update	29.06.2009	Dean			Drawing-No.
		①	Drawn	25.01.2006	Alex			<b>ASS 2319 CO</b>
		Id.	Modification	Date	Name			rev03
								Replace



**ASS 2319 CO** rev03

Replace Sheet