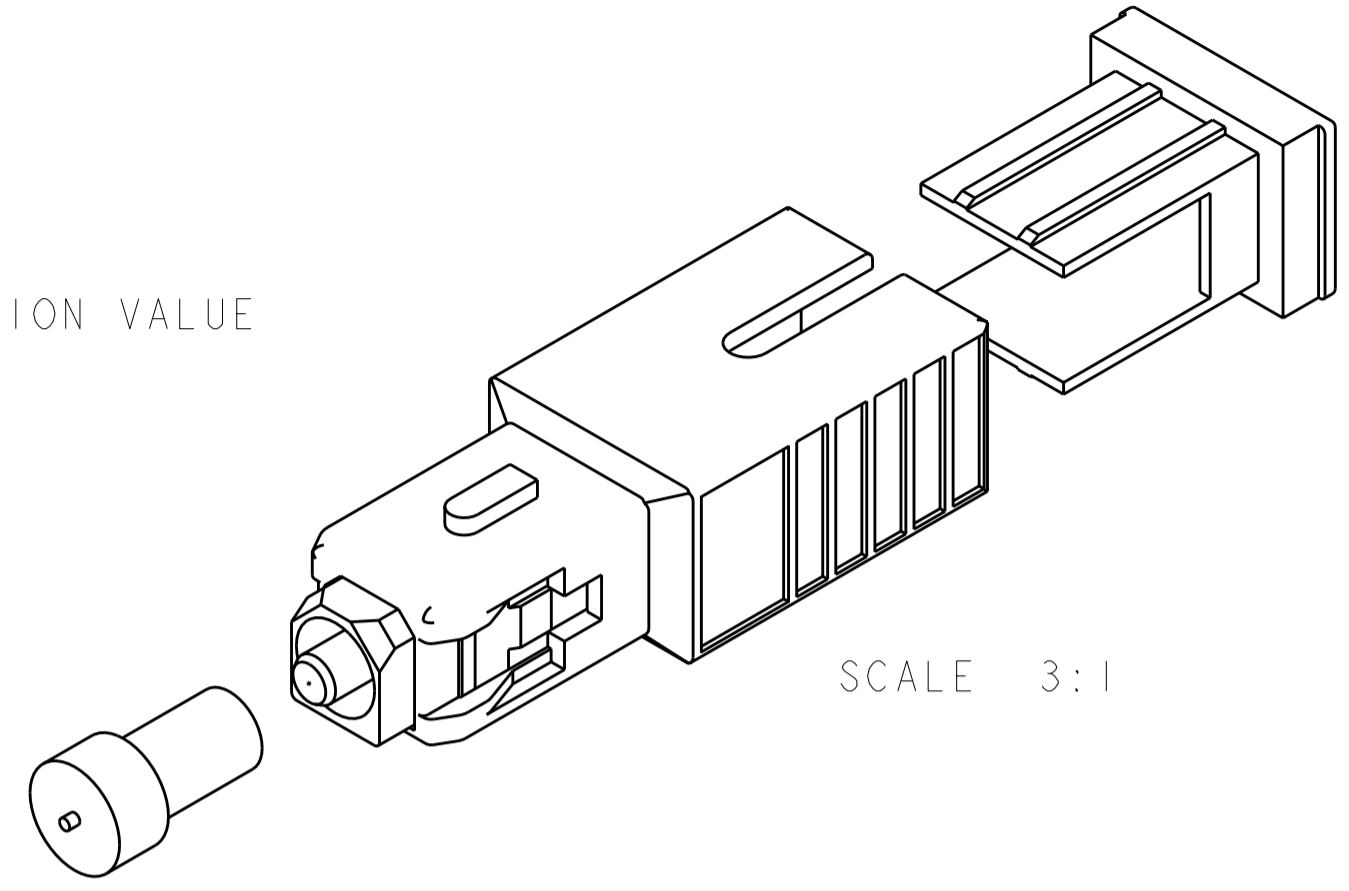


THIS DRAWING IS UNPUBLISHED. RELEASED FOR PUBLICATION 20
 © COPYRIGHT 20 BY TYCO ELECTRONICS CORPORATION. ALL RIGHTS RESERVED.

LOC	DIST	REVISIONS					
CE	00	P	LTR	DESCRIPTION	DATE	DWN	APVD
			BI	ADD -16/17/19/21/22/23/24	26MAR2009	JZ	RZ

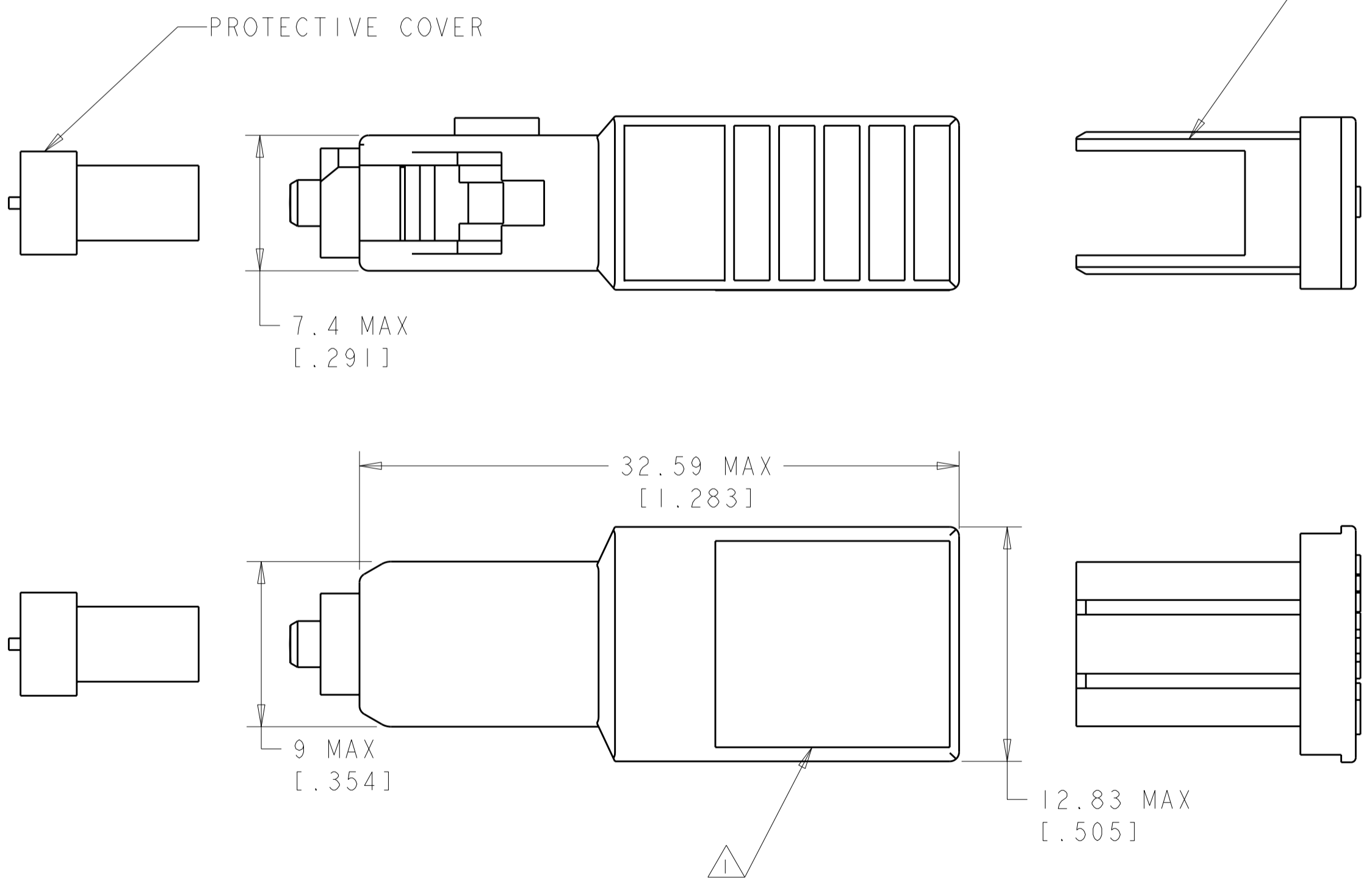
PERFORMANCE REQUIREMENTS:
 OPERATING WAVELENGTH : 1260-1360 & 1430-1625nm
 REFLECTANCE : ≤ -55dB
 OPERATING TEMPERATURE : -40°C TO +75°C
 ATTENUATION TOLERANCE, AMBIENT :
 FOR 0 dB ATTENUATORS : + 0.50dB MAX
 FOR ATTENUATORS ≤ 5dB : ± 0.50dB
 FOR ATTENUATORS >5dB : ± 10% OF NOMINAL ATTENUATION VALUE
 MEASURED WITH REFERENCE QUALITY LAUNCH LEADS

ENDFACE GEOMETRY:
 R.O.C: 10-25mm
 APEX OFFSET: <50um
 FIBER HEIGHT: ±50nm



SCALE 3:1

NOMINAL ATTENUATION VALUE (dB)	PART NUMBER
0	9-5209250-9
0.5	7-5209250-0
1	5209250-1
1.5	7-5209250-1
2	5209250-2
2.5	7-5209250-2
3	5209250-3
3.5	7-5209250-3
4	5209250-4
4.5	7-5209250-4
5	5209250-5
5.5	7-5209250-5
6	5209250-6
6.5	7-5209250-6
7	5209250-7
7.5	7-5209250-7
8	5209250-8
9	5209250-9
10	1-5209250-0
11	1-5209250-1
12	1-5209250-2
13	1-5209250-3
14	1-5209250-4
15	1-5209250-5
16	1-5209250-6
17	1-5209250-7
18	1-5209250-8
19	1-5209250-9
20	2-5209250-0
21	2-5209250-1
22	2-5209250-2
23	2-5209250-3
24	2-5209250-4
25	2-5209250-5



TYCO LOGO, ATTENUATION VALUE, PART NUMBER, AND SERIAL NUMBER ARE PRINTED ON THE LABEL.

THIS DRAWING IS A CONTROLLED DOCUMENT FOR TYCO ELECTRONICS CORPORATION. IT IS SUBJECT TO CHANGE AND THE CONTROLLING ENGINEERING ORGANIZATION SHOULD BE CONTACTED FOR THE LATEST REVISION.		DWN: 05DEC2005 E. HOPKINS	Tyco Electronics Corporation Shanghai, China	
DIMENSIONS: mm [INCHES]		CHK: 05DEC2005 E. HOPKINS	NAME: ATTENUATOR, FOPC BOA SC/UPC BP SM	
TOLERANCES UNLESS OTHERWISE SPECIFIED:		APVD: 05DEC2005 S. BUCHTER	SIZE: A2	
0 PLC ± 1 PLC ± 2 PLC ± 3 PLC ± 4 PLC ± ANGLES ± FINISH -		PRODUCT SPEC: - APPLICATION SPEC: - WEIGHT: -	CAGE CODE: 00779	
MATERIAL: -		DRAWING NO: 5209250		RESTRICTED TO: -
CUSTOMER DRAWING		SCALE: 4:1		SHEET 1 OF 1 REV BI