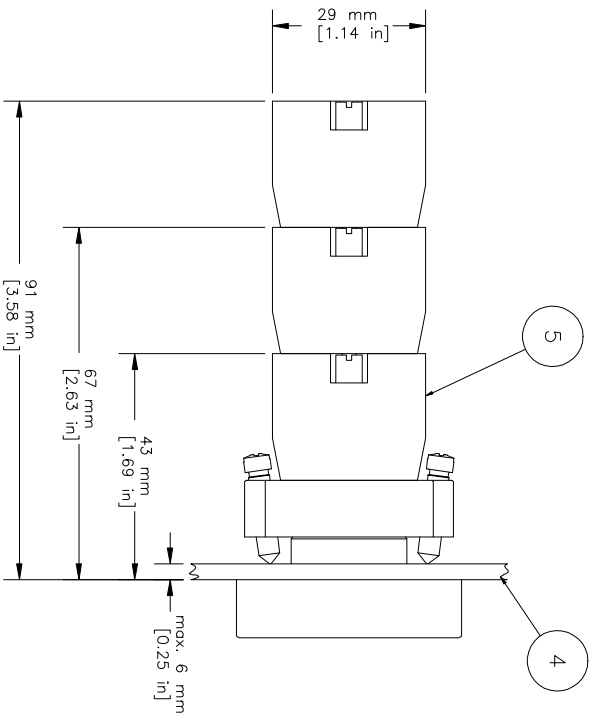
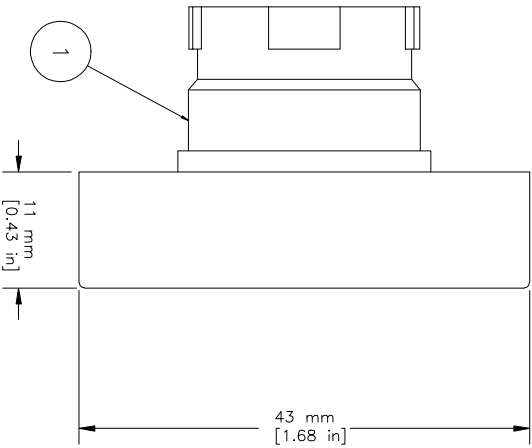
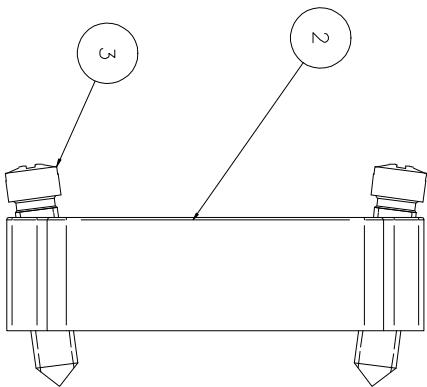
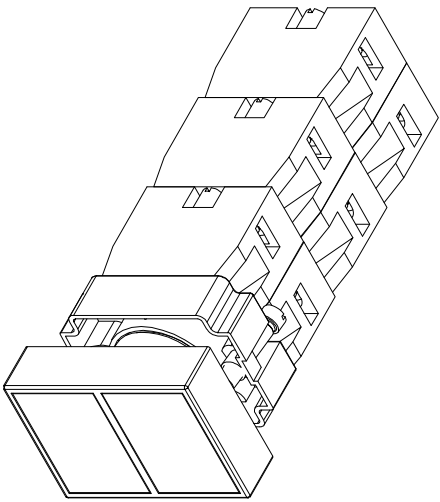


| REVISIONS FOR DWG # 1PB-2ATFX-FX |                 |          |            |
|----------------------------------|-----------------|----------|------------|
| REV. CH. NO.                     | DESCRIPTION     | DATE     | REVISED BY |
| -                                | ORIGINAL DESIGN | 10/25/07 | Phil E.    |



| ITEM | DESCRIPTION                                     | CAT. NO.                         | COLOR                                    | MIN. QTY.        | MAX. QTY.        |
|------|---|----------------------------------|--|------------------|------------------|
| 1    | Twin Touch/ Not marked, flush (comes with 2BRK) | 2ATF3-F4<br>2ATF8-F2<br>2ATF1-F1 | Green-Red<br>Yellow-Black<br>White-Black | 1<br>1<br>1      | 1<br>1<br>1      |
| 2    | Mounting Bracket                                | 2BRK                             | -  | 1                | 1                |
| 3    | Mounting Bracket Screws                         | incl. in 2BRK                    | -  | 2                | 2                |
| 4    | Panel   | S1<br>S2<br>S3<br>S4             | Green<br>Red<br>Green/Gray<br>Red/Gray   | 1<br>1<br>1<br>1 | 6<br>6<br>6<br>6 |
| 5    | Switch Contacts                                 |                                  |  | 1                | 6                |

TITLE: 22mm Twin Touch Metal Non-Illuminated Operators Flush 2ATFX-FY (X=Color)

UNLESS OTHERWISE SPECIFIED  
 • ALL DIMENSIONS ARE IN MILLIMETERS  
 • THIRD ANGLE PROJECTION

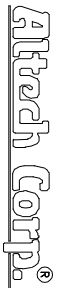
TOLERANCE  
 XX ±1 mm  
 XX X ±0.5 mm  
 XX.XX ±0.2 mm  
 ALL - mm

AND IS A CONFIDENTIAL DISCLOSURE  
 LENT WITHOUT CONSIDERATION OTHER  
 THAN THE BORROWER'S AGREEMENT  
 THAT IT SHALL NOT BE REPRODUCED,  
 COPIED, LENT, OR DISPOSED OF  
 DIRECTLY OR INDIRECTLY NOR USED  
 FOR ANY PURPOSE OTHER THAN THAT  
 FOR WHICH IT IS SPECIFICALLY  
 FURNISHED.

DRAWN BY: Philipp Ernstberger 10/25/07  
 CHECKED BY: Laszlo Gyorgypal 10/25/07  
 RELEASED BY: Laszlo Gyorgypal 10/25/07

DRAWING NO.: 1PB-2ATFX-FX  
 SCALE: - SHEET: 1 OF: 1

REV: -



This Drawing is the property of  
 Attech Corp.  
 35 Royal Road  
 Flemington NJ 08822-6000  
 (908) 806-9400 • Fax (908) 806-9490

M-H-R-C