

PLEASE CHECK WWW.MOLEX.COM FOR LATEST PART INFORMATION

Part Number: [130060026](#)
Status: **Active**
Overview: [minichange_products](#)
Description: Mini-Change® MPIS, 3 Pole Female, 8 Ports, with 12 Pole Male Home Run Connector, with LEDs

Documents:

[Drawing \(PDF\)](#) [RoHS Certificate of Compliance \(PDF\)](#)

Agency Certification

CSA LR6837
 UL E46237

General

Product Family Passive Distribution Boxes
 Series [130060](#)
 IP Rating IP67
 NEMA Rating NEMA 6
 Overview [minichange_products](#)
 Product Name Mini-Change®

Physical

Bus I/O Mini-Change®
 Cable Connector Orientation Straight
 Cable Length N/A
 Home Run Cable Length N/A
 Home Run Connector Mini-Change® - 12 pole
 Home Run Interface N/A
 Keyway Single
 LED Indicator Yes
 Material - Cable Jacket N/A
 Material - Housing PBT
 Material - Metal Copper Alloy
 Material - Plating Mating Gold over Nickel
 Orientation Side Mount
 Poles 3
 Poles (wired) 3
 Ports 8
 Temperature Range - Operating -25°C to +90°C
 Wiring Configuration Single I/O per Port

Electrical

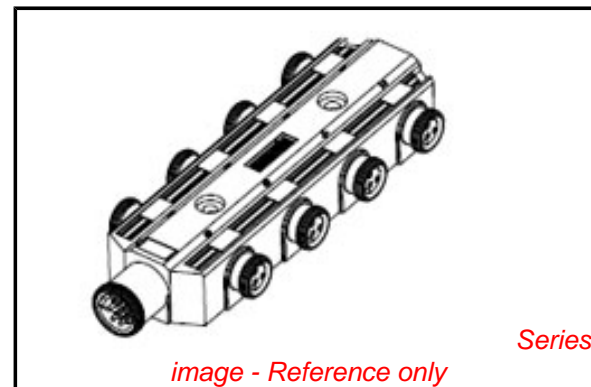
Current - Maximum per Contact 7A
 Functional Wiring Parallel
 Voltage - Maximum 600V AC/DC

Material Info

Old Part Number 410P801

Reference - Drawing Numbers

Sales Drawing SD-130060-007



EU RoHS

Not RoHS Compliant
REACH SVHC
Not Reviewed
Halogen-Free
Status
Not Reviewed

China RoHS



Need more information on product environmental compliance?

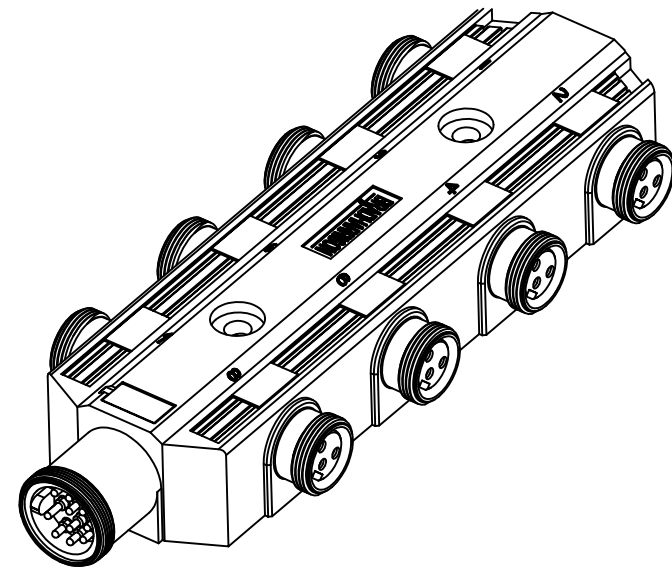
Email productcompliance@molex.com
 For a multiple part number RoHS Certificate of Compliance, [click here](#)

Please visit the [Contact Us](#) section for any non-product compliance questions.

Search Parts in this Series

130060Series

13	12	11	10	9	8	7	6	5	4	3	2	1
MATERIAL NUMBER	ENGINEERING NUMBER											
1300600026	410P801											



③

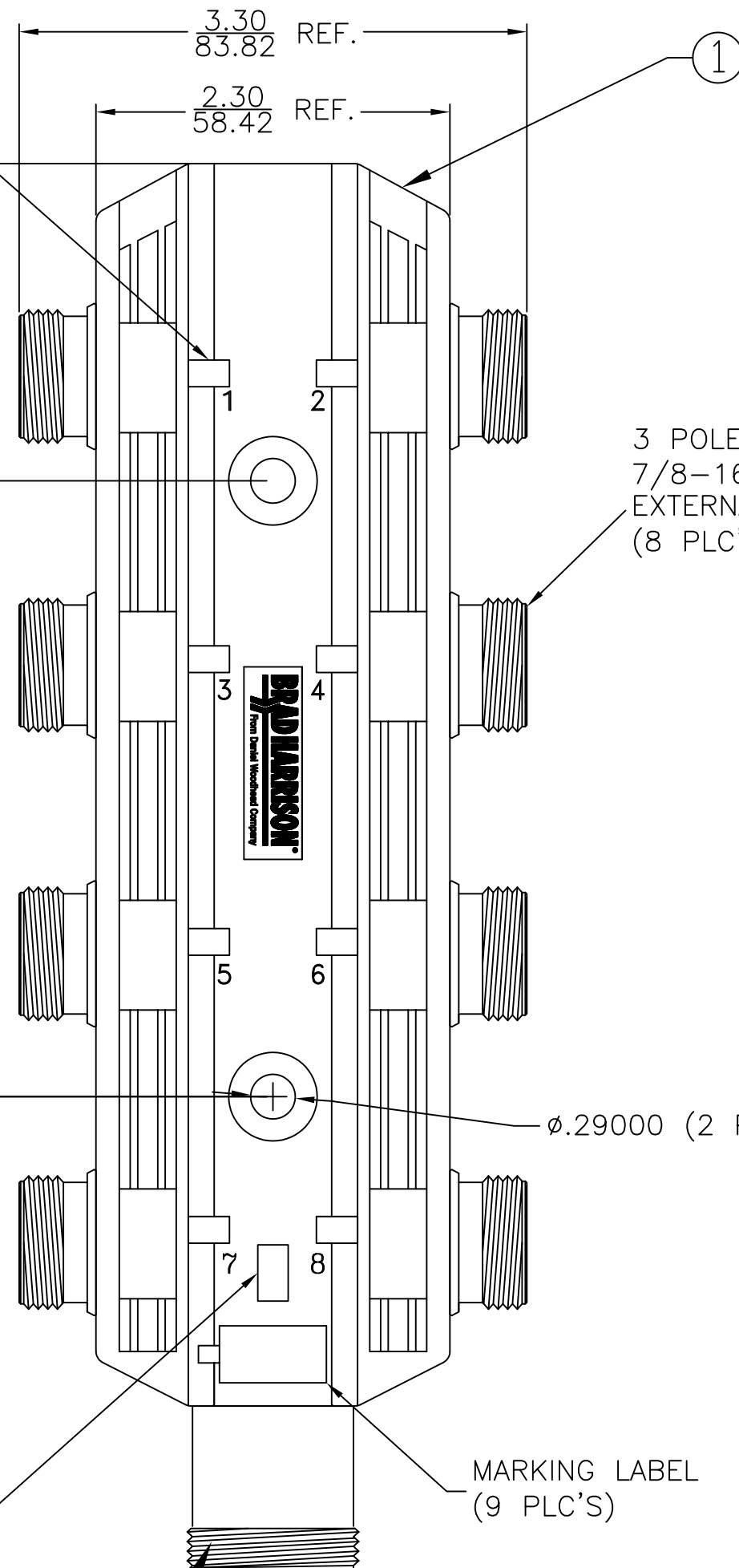
⑤

YELLOW LED
OUTPUT INDICATION ⑥

9.13
231.9 REF.

4.00
101.6 REF.

3.07
77.98 REF.



PIN 1 GROUND
PIN 2 LOAD (L2)
PIN 3 COMMON (L1)
JUNCTION 1

PIN 1 GROUND
PIN 2 LOAD (L2)
PIN 3 COMMON (L1)
JUNCTION 3

PIN 1 GROUND
PIN 2 LOAD (L2)
PIN 3 COMMON (L1)
JUNCTION 5

PIN 1 GROUND
PIN 2 LOAD (L2)
PIN 3 COMMON (L1)
JUNCTION 7

PIN 1 GROUND
PIN 2 LOAD (L2)
PIN 3 COMMON (L1)
JUNCTION 2

PIN 1 GROUND
PIN 2 LOAD (L2)
PIN 3 COMMON (L1)
JUNCTION 4

PIN 1 GROUND
PIN 2 LOAD (L2)
PIN 3 COMMON (L1)
JUNCTION 6

PIN 1 GROUND
PIN 2 LOAD (L2)
PIN 3 COMMON (L1)
JUNCTION 8

①

②

③

④

⑤

⑥

⑦

⑧

⑨

⑩

⑪

⑫

⑬

⑭

⑮

⑯

⑰

⑱

⑲

⑳

㉑

㉒

㉓

㉔

㉕

㉖

㉗

㉘

㉙

㉚

㉛

㉜

㉝

㉞

㉟

㊱

㊲

㊳

㊴

㊵

㊶

㊷

㊸

㊹

㊺

㊻

㊼

㊽

㊾

㊿

PIN 6 ORNG/BLK LOAD J8 (L2)
PIN 4 RED/BLK LOAD J6 (L2)
PIN 2 BLUE/BLK LOAD J4 (L2)
PIN 1 ORANGE LOAD J2 (L2)
PIN 11 WHITE COMMON (L1)
PIN 7 BLUE/BLK LED RETURN (L2)
PIN 9 GREEN GROUND
PIN 10 RED LOAD J1 (L2)
PIN 12 BLK LOAD J3 (L2)
PIN 5 GRN/BLK LOAD J5 (L2)
PIN 8 BLK/WHI NO CONNECTION

NOTES:

- 1) MATERIAL: SEE TABLE
- 2) FINISHES: SEE TABLE
- 3) ELECTRICAL DATA:
VOLTAGE: 600V AC/DC
AMPERAGE: 7AMPS PER MPIS UNIT
- 4) ENVIRONMENTAL:
PROTECTION IP67
OPERATING TEMPERATURE RANGE: -25 TO 90C
- 5) LABEL IS MARKED WITH P/N, DATE CODE, AND SCHEMATIC
- 6) CERTIFICATION:
UL: UL RECOGNIZED
CSA: CSA CERTIFIED

ITEM	QTY.	DESCRIPTION	MATERIAL	FINISH
6	9	LENS	POLYCARBONATE	CLEAR
5	9	INSERT	PVC	YELLOW
4	10	PIN CONTACT	COPPER ALLOY	GOLD PLATED
3	24	SOCKET CONTACT	COPPER ALLOY	GOLD PLATED
2	9	RECEPTACLE SHELL	E-COATED ZINC ALLOY	BLACK
1	1	HOUSING	PBT	YELLOW

RELEASE EC NO: WNA2010-0456 DRWN: TWOLDEGE 2010/01/22 CH'KD: BWOODMAN APPR: JFMURPHY 2010/01/29	DESCRIPTION A	QUALITY SYMBOL ▽=0 ∇=0	GENERAL TOLERANCES (UNLESS SPECIFIED)		DIMENSION STYLE		SCALE	DESIGN UNITS	THIRD ANGLE PROJECTION				
			4 PLACES	mm	INCH	----	----	1:1	INCH				
			3 PLACES	±---	±---	----	----			TITLE			
			2 PLACES	±0.13	±0.010	----	----			8PORT S. MOUNT MPIS LED 8PORT 3-POLE FEMALE W/ 12P MALE HOME RUN CONN.			
		ANGULAR ±1/2°		APPROVED BY		DATE		MOLEX INCORPORATED					
		DRAFT WHERE APPLICABLE MUST REMAIN WITHIN DIMENSIONS		JFMURPHY		2010/01/29		DOCUMENT NO. SD-130060-007					
				MATERIAL NO.		SEE CHART		SHEET NO. 1 OF 1					
				SIZE		C		THIS DRAWING CONTAINS INFORMATION THAT IS PROPRIETARY TO MOLEX INCORPORATED AND SHOULD NOT BE USED WITHOUT WRITTEN PERMISSION					