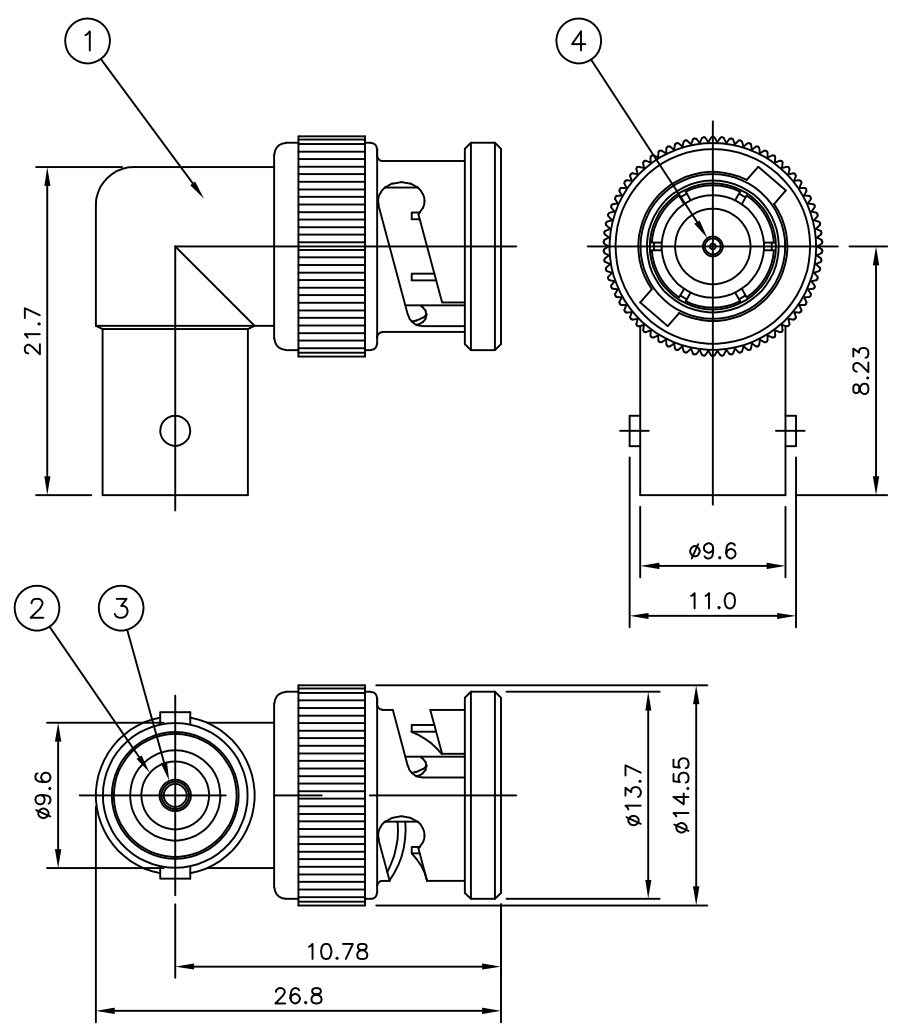


THIS DRAWING IS UNPUBLISHED. RELEASED FOR PUBLICATION MAR , 2006.  
 © COPYRIGHT 2006 By - ALL RIGHTS RESERVED.

LOC	DIST	P	LTR	DESCRIPTION	DATE	DWN	APVD
E	B		B1	REVISED PER ECO-11-005033	01APR11	RK	HMR
			C	REVISED PER ECO-12-010042	29MAY2012	TITAN	MARTIN

- NOTES**
- 1 100 TRAY PACK IN ACCORDANCE WITH AMP SPEC 107-3275
  - 2 SINGLE PACK IN ACCORDANCE WITH AMP SPEC 107-3275
  - 3 Au PLATING
  - 4 Ni PLATING
  - 5. FOR TECHNICAL DATA REFER TO YOUR LOCAL TE CONNECTIVITY SALES OFFICE
  - 6. ALL DIMENSIONS ARE NOMINAL FOR REFERENCE ONLY UNLESS OTHERWISE STATED



QTY	PLC	DESCRIPTION	ITEM
1	1	BRASS	MALE CONTACT 4
1	1	PHOS BRONZE	FEMALE CONTACT 3
1	1	PE-606	INSULATOR 2
1	1	ZINC ALLOY	BODY 1
5--1	5--0	MATERIAL	DESCRIPTION
			ITEM

Obsolete

THIS DRAWING IS A CONTROLLED DOCUMENT.		DWN RITA ZUO 10 Mar 09	<b>STE</b> TE Connectivity	
DIMENSIONS: mm		CHK ANSON MA 10 Mar 09		
TOLERANCES UNLESS OTHERWISE SPECIFIED:		APVD BOB ZHAO 10 Mar 09	NAME	
0 PLC ± 0.5		PRODUCT SPEC	BNC ELBOW ADAPTOR PLUG - JACK	
1 PLC ± 0.3		108-112000	50 OHMS	
2 PLC ± 0.2		APPLICATION SPEC	-	
3 PLC ± -		WEIGHT -	SIZE A3	CAGE CODE 00779
4 PLC ± -		MATERIAL	DRAWING NO C-1634526	RESTRICTED TO -
ANGLES ± -		FINISH -	SCALE NTS	SHEET 1 OF 1
MATERIAL SEE TABLE		FINISH -	CUSTOMER DRAWING	REV C