



3 dB Fixed Attenuator, 7/16 DIN Male to 7/16 DIN Female Brass Tri-Metal Body Rated to 5 Watts Up to 7.5 GHz

RF Fixed Attenuators Technical Data Sheet

PE7039-3

Features

- Bidirectional
- DC to 7.5 GHz Frequency Range
- Attenuation 3±0.4 dB
- Max Power 5 Watts (CW)
- VSWR < 1.25:1

Applications

- Instrumentation
- Precision measurements
- Prototyping and characterization
- Production systems

Description

Pasternack carries a wide range of fixed attenuators with a broad selection of attenuation levels, frequency ranges, and power dissipation ranges. RF microwave attenuators (also known as RF pads) lower the amplitude of a signal (attenuate) a known amount and can be used in a wide variety of applications. These attenuator pads are used when a signal needs to be reduced to protect measurement equipment or other circuitry, to extend the range of power meters and amplifiers, and to impedance match circuits by reducing the VSWR seen by adjacent components. RF attenuators can prevent signal overload in amplifiers, receivers and detectors, adjusting the signal level to a range that is optimal.

Few RF components are as commonly used as fixed coaxial attenuators, and Pasternack carries one of the largest in-stock varieties and ships them same day. The 3 dB Fixed Attenuator PE7039-3 is rated to 5 Watts and operates from DC to 7.5 GHz. The versatile coaxial package uses 7/16 DIN male to 7/16 DIN female connectors and is also REACH and RoHS compliant.

Electrical Specifications

Description	Minimum	Typical	Maximum	Units
Frequency Range	DC		7.5	GHz
Impedance		50		Ohms
Nominal Attenuation		3		dB
Attenuation Accuracy		±0.4		dB
VSWR			1.25:1	
Input Power, CW derated linearly to 1W at +125°C			5	Watts

Mechanical Specifications

Size	
Length	2.96 in [75.18 mm]
Width/Diameter	1.25 in [31.75 mm]
Weight	0.529 lbs [239.95 g]
Body Material and Plating	Brass, Tri-Metal

Click the following link (or enter part number in "SEARCH" on website) to obtain additional part information including price, inventory and certifications: [3 dB Fixed Attenuator, 7/16 DIN Male to 7/16 DIN Female Brass Tri-Metal Body Rated to 5 Watts Up to 7.5 GHz PE7039-3](#)



3 dB Fixed Attenuator, 7/16 DIN Male to 7/16 DIN Female
 Brass Tri-Metal Body Rated to 5 Watts Up to 7.5 GHz

RF Fixed Attenuators Technical Data Sheet

PE7039-3

Configuration

Design Fixed, Bidirectional
 Package Style Connectorized Module

Connectors

Description	Connector 1	Connector 2
Type	7/16 DIN Male	7/16 DIN Female
Contact Material and Plating	Beryllium Copper, Tri-Metal	Beryllium Copper, Tri-Metal
Hex Size	1 1/4 in.	
Torque	18.417 ft-lbs 24.97 Nm	
Body Material and Plating	Brass, Tri-Metal	Brass, Tri-Metal

Environmental Specifications

Temperature

Operating Range -65 to +125 deg C

Compliance Certifications (visit www.Pasternack.com for current document)

RoHS Compliant
 REACH Compliant 12/17/2015

Plotted and Other Data

Notes:

3 dB Fixed Attenuator, 7/16 DIN Male to 7/16 DIN Female Brass Tri-Metal Body Rated to 5 Watts Up to 7.5 GHz from Pasternack Enterprises has same day shipment for domestic and International orders. Our RF, microwave and millimeter wave products maintain a 99% availability and are part of the broadest selection in the industry.

Click the following link (or enter part number in "SEARCH" on website) to obtain additional part information including price, inventory and certifications: [3 dB Fixed Attenuator, 7/16 DIN Male to 7/16 DIN Female Brass Tri-Metal Body Rated to 5 Watts Up to 7.5 GHz PE7039-3](http://www.pasternack.com/3db-fixed-7-16-male-7-16-female-5-watts-attenuator-pe7039-3)

URL: <http://www.pasternack.com/3db-fixed-7-16-male-7-16-female-5-watts-attenuator-pe7039-3.aspx>

PE7039-3 CAD Drawing

3 dB Fixed Attenuator, 7/16 DIN Male to 7/16 DIN Female Brass
Tri-Metal Body Rated to 5 Watts Up to 7.5 GHz

P/N	ATTEN.	FIGURE
PE7039-1	1 dB	2
PE7039-2	2 dB	2
PE7039-3	3 dB	2
PE7039-6	6 dB	2
PE7039-10	10 dB	2
PE7039-20	20 dB	2
PE7039-30	30 dB	1
PE7039-40	40 dB	1

STANDARD TOLERANCES
.X ±0.2
.XX ±0.1
.XXX ±0.05

*STANDARD TOLERANCES APPLY ONLY TO DIMENSIONS IN INCHES

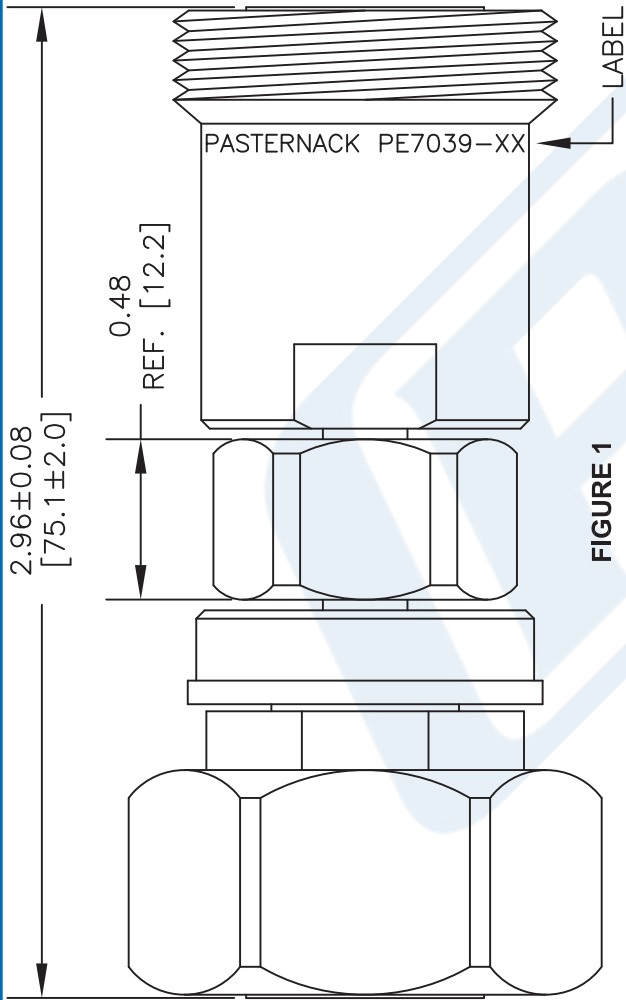


FIGURE 1

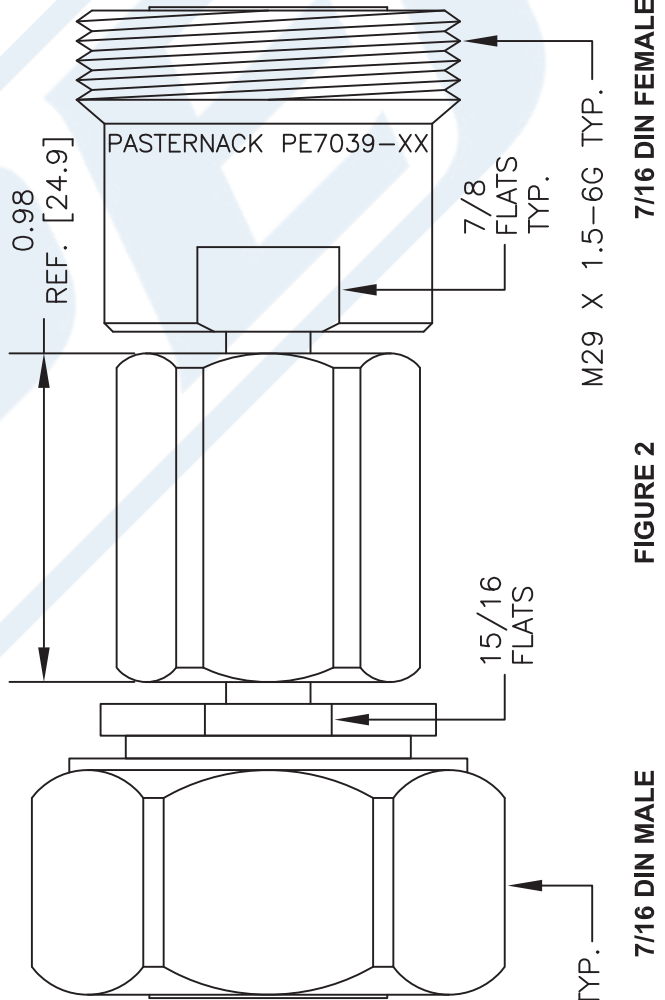


FIGURE 2

<p>NOTES: 1. UNLESS OTHERWISE SPECIFIED ALL DIMENSIONS ARE NOMINAL. 2. ALL SPECIFICATIONS ARE SUBJECT TO CHANGE WITHOUT NOTICE AT ANY TIME. 3. DIMENSIONS ARE IN INCHES [mm].</p>	
CAD FILE	030916
SCALE	N/A
SIZE	A
	3045

DWG TITLE
PE7039

FSCM NO. 53919

PE PASTERNAK
THE ENGINEER'S RF SOURCE
Pasternack Enterprises, Inc.
P.O. Box 16759 | Irvine | CA | 92623
Phone: (949) 261-1920 | Fax: (949) 261-7451
Website: www.pasternack.com | E-Mail: sales@pasternack.com