

PLEASE CHECK WWW.MOLEX.COM FOR LATEST PART INFORMATION

Part Number: [0050650215](#)
Status: **Active**
Overview: [cgrid_sl_products](#)
Description: 2.54mm (.100") Pitch, SL™ Single Row Wire-to-Wire Panel Mount, 15 Circuits

Documents:

[3D Model](#) [Drawing \(PDF\)](#)
[Packaging Specification \(PDF\)](#) [RoHS Certificate of Compliance \(PDF\)](#)

Agency Certification

CSA LR19980
 UL E29179

General

Product Family Accessories
 Series [70018](#)
 Component Type Branch
 Overview [cgrid_sl_products](#)
 Product Name SL™

Physical

Circuits (Loaded) 15
 Color - Resin Black
 Flammability 94V-0
 Lock to Mating Part Yes
 Material - Resin Polyester
 Packaging Type Bag

Material Info

Old Part Number 70018-0014

Reference - Drawing Numbers

Sales Drawing SD-70018-0001-0024

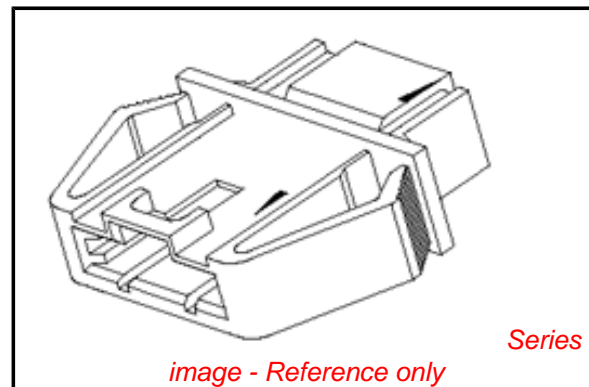


image - Reference only

EU RoHS

**ELV and RoHS
 Compliant**
**REACH SVHC
 Contains SVHC: No**
**Halogen-Free
 Status
 Not Reviewed**

China RoHS



**Need more information on product
 environmental compliance?**

Email productcompliance@molex.com
 For a multiple part number RoHS Certificate of
 Compliance, [click here](#)

Please visit the [Contact Us](#) section for any
 non-product compliance questions.

Search Parts in this Series

[70018Series](#)

Use With

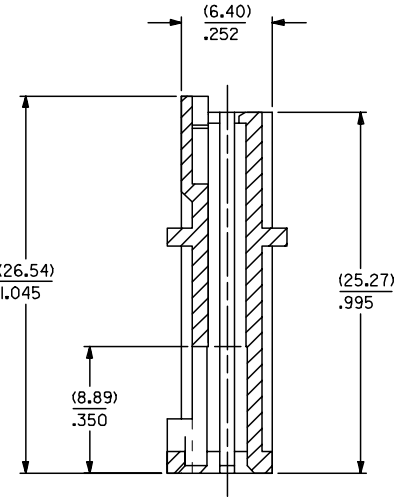
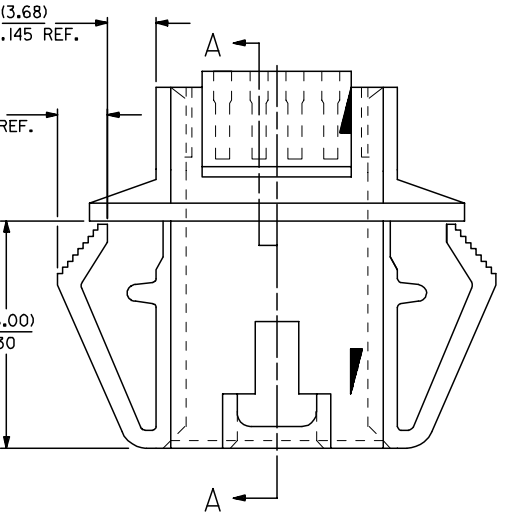
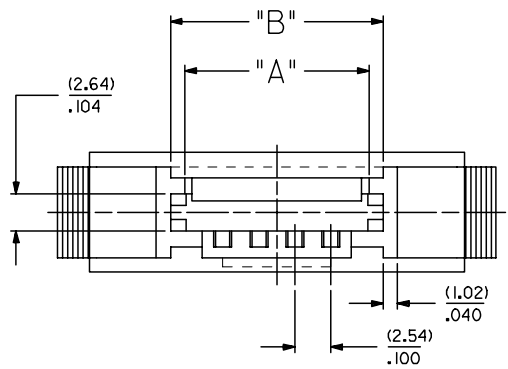
[70066](#) SL™ Crimp Housing. [70475](#) SL™
 IDT Connector Assembly. [70431](#) SL™ FFC/
 FPC Connector

13 12 11 10 9 8 7 6 5 4 3 2 1

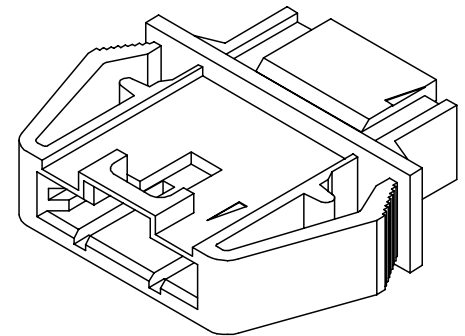
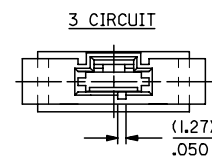
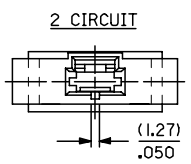
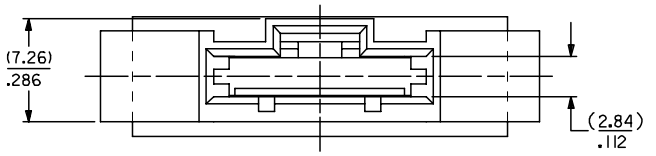
NOTES :

- 1) MATERIAL : POLYESTER, 94V-0
COLOR : BLACK
- 2) SEE CHART FOR CIRCUIT SIZES .
- 3) HOUSING TO BE USED WITH 70400
SERIES HOUSING (OPTION 'G' &
OPTION 'D')
- 4) PANEL THICKNESS (0.81) / .032 - (2.36) / .093
- 5) SEE SHEET 2 FOR MOUNTING HOLE
DIMENSIONS .
- 6) PACKAGE PER PK-70018-100.

CKT. NO.	EDP. NO.	ENG. NO.	DIM. A	DIM. B
2	50-65-0202	70018-0001	(5.21) .205	(7.37) .290
3	50-65-0203	70018-0002	(7.75) .305	(9.91) .390
4	50-65-0204	70018-0003	(10.29) .405	(12.45) .490
5	50-65-0205	70018-0004	(12.83) .505	(14.99) .590
6	50-65-0206	70018-0005	(15.37) .605	(17.53) .690
7	50-65-0207	70018-0006	(17.91) .705	(20.07) .790
8	50-65-0208	70018-0007	(20.45) .805	(22.61) .890
9	50-65-0209	70018-0008	(22.99) .905	(25.15) .990
10	50-65-0210	70018-0009	(25.53) 1.005	(27.69) 1.090
11	50-65-0211	70018-0010	(28.07) 1.105	(30.23) 1.190
12	50-65-0212	70018-0011	(30.61) 1.205	(32.77) 1.290
13	50-65-0213	70018-0012	(33.15) 1.305	(35.31) 1.390
14	50-65-0214	70018-0013	(35.69) 1.405	(37.89) 1.490
15	50-65-0215	70018-0014	(38.23) 1.505	(40.39) 1.590
16	50-65-0216	70018-0015	(40.77) 1.605	(42.93) 1.690
17	50-65-0217	70018-0016	(43.31) 1.705	(45.47) 1.790
18	50-65-0218	70018-0017	(45.85) 1.805	(48.01) 1.890
19	50-65-0219	70018-0018	(48.39) 1.905	(50.55) 1.990
20	50-65-0220	70018-0019	(50.93) 2.005	(53.09) 2.090
21	50-65-0221	70018-0020	(53.47) 2.105	(55.63) 2.190
22	50-65-0222	70018-0021	(56.01) 2.205	(58.17) 2.290
23	50-65-0223	70018-0022	(58.55) 2.305	(60.71) 2.390
24	50-65-0224	70018-0023	(61.09) 2.405	(63.25) 2.490
25	50-65-0225	70018-0024	(63.63) 2.505	(65.79) 2.590



SECTION A-A



REV	DESCRIPTION	DATE	BY
M	REVISE	2007/10/02	UCP2008-0711
	DRW:WJORGAN	2007/10/09	
	CHK:DMS/BARRA	2007/10/09	
	APPR:SMILLER	2007/10/10	

QUALITY SYMBOLS	
	RA=0
	RZ=0

GENERAL TOLERANCES (UNLESS SPECIFIED)	
	mm
	INCH
4 PLACES	± .010
3 PLACES	± .014
2 PLACES	± .025
1 PLACE	± .035
ANGULAR ±1/2°	

DIMENSION STYLE	
MM/IN	
DRAWN BY	ME
DATE	1984/04/10
CHECKED BY	WZ
DATE	1984/04/10
APPROVED BY	RL
DATE	1984/04/10

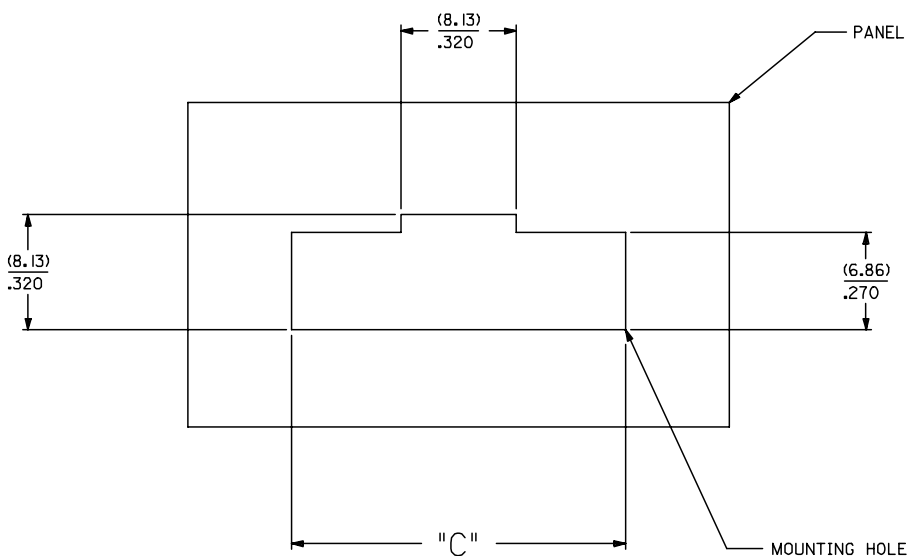
SCALE	DESIGN UNITS	THIRD ANGLE PROJECTION
	INCH	
HOUSING PANEL MOUNT (OPTION G HOUSING TO OPTION D HOUSING)		
MOLEX INCORPORATED		
MATERIAL NO.	DOCUMENT NO.	SHEET NO.
SEE CHART	SD-70018-0001-0024	1 OF 2

12 11 10 9 8 7 6 5 4 3 2 1

13 12 11 10 9 8 7 6 5 4 3 2 1

J
I
H
G
F
E
D
C
B
A

CKT. NO.	EDP. NO.	ENG. NO.	DIM. C
2	50-65-0202	70018-0001	(15.87) .625
3	50-65-0203	70018-0002	(18.41) .725
4	50-65-0204	70018-0003	(20.95) .825
5	50-65-0205	70018-0004	(23.49) .925
6	50-65-0206	70018-0005	(26.03) 1.025
7	50-65-0207	70018-0006	(28.57) 1.125
8	50-65-0208	70018-0007	(31.11) 1.225
9	50-65-0209	70018-0008	(33.65) 1.325
10	50-65-0210	70018-0009	(36.19) 1.425
11	50-65-0211	70018-0010	(38.73) 1.525
12	50-65-0212	70018-0011	(41.27) 1.625
13	50-65-0213	70018-0012	(43.81) 1.725
14	50-65-0214	70018-0013	(46.35) 1.825
15	50-65-0215	70018-0014	(48.89) 1.925
16	50-65-0216	70018-0015	(51.43) 2.025
17	50-65-0217	70018-0016	(53.97) 2.125
18	50-65-0218	70018-0017	(56.51) 2.225
19	50-65-0219	70018-0018	(59.05) 2.325
20	50-65-0220	70018-0019	(61.59) 2.425
21	50-65-0221	70018-0020	(64.13) 2.525
22	50-65-0222	70018-0021	(66.67) 2.625
23	50-65-0223	70018-0022	(69.21) 2.725
24	50-65-0224	70018-0023	(71.75) 2.825
25	50-65-0225	70018-0024	(74.29) 2.925



RECOMMENDED MOUNTING HOLE LAYOUT

REVISE E.C. NO: UICP2008-0711 DRAWN: JORGAN 2007/10/02 CHKD: MS BARRA 2007/10/09 APPR: SMILLER 2007/10/10 M	QUALITY SYMBOLS ▽=0 ▽=0	GENERAL TOLERANCES (UNLESS SPECIFIED)		DIMENSION STYLE MM/IN		SCALE 4:1	DESIGN UNITS INCH	THIRD ANGLE PROJECTION	
		4 PLACES ± --- ± ---	3 PLACES ± --- ± .010	DRAWN BY ME	DATE 1984/04/10	TITLE HOUSING PANEL MOUNT (OPTION G HOUSING TO OPTION D HOUSING)			
		2 PLACES ± 0.25 ± .014	1 PLACE ± 0.35 ± ---	CHECKED BY WZ	DATE 1984/04/10	APPROVED BY RL			
		ANGULAR ±1/2°		MATERIAL NO. SEE CHART		DOCUMENT NO. SD-70018-0001-0024		SHEET NO. 2 OF 2	
DRAFT WHERE APPLICABLE MUST REMAIN WITHIN DIMENSIONS				THIS DRAWING CONTAINS INFORMATION THAT IS PROPRIETARY TO MOLEX INCORPORATED AND SHOULD NOT BE USED WITHOUT WRITTEN PERMISSION					

12 11 10 9 8 7 6 5 4 3 2 1