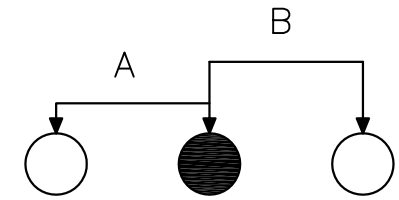
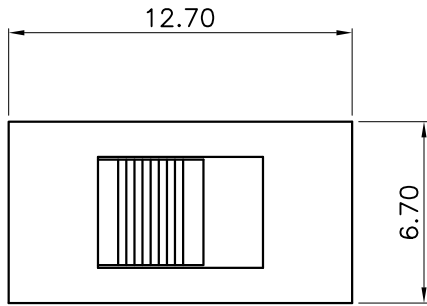
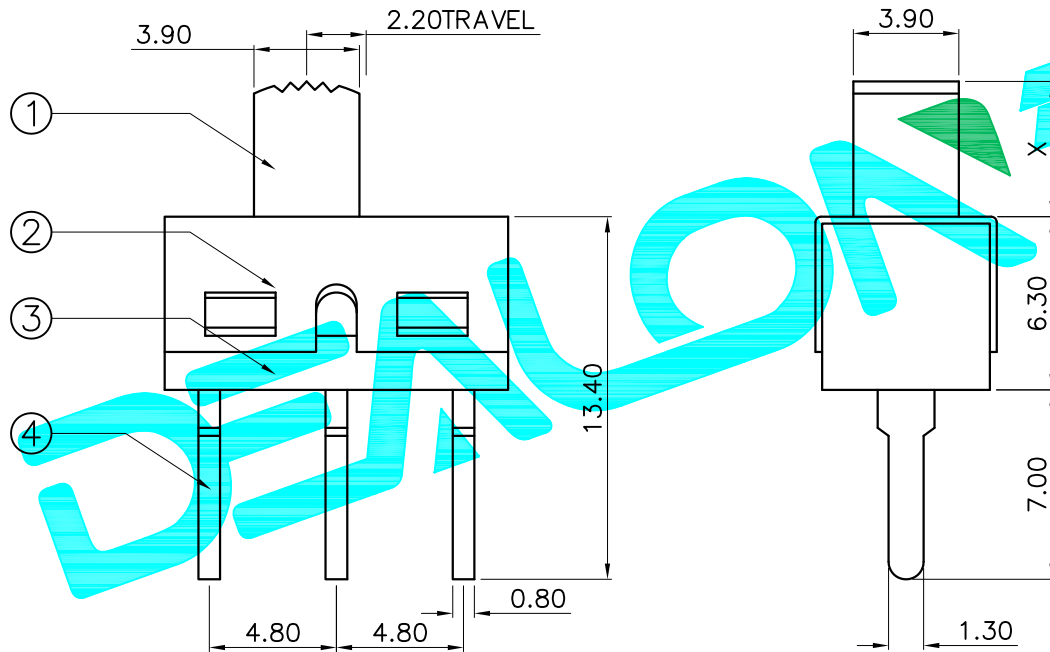


CAD FILE:



Circuit Diagram



X	
PART NO	vigor
2	G2
3	G3
4	G4
5	G5
6	G6
7	G7
8	G8

ITEM	PART NAME	QTY.	MATERIAL	FINISHING
⑦	Contact	1	PA9T	Black
⑥	Spring	1	Steel Wire	Natural
⑤	Contact	1	Phosphor Bronze	Ag Plated
④	Terminal	3	Copper Strip	Ag Plated
③	Case	1	PA9T	Natural
②	Cover	1	SUS	Natural
①	Knob	1	PA9T	Black

APPROVALS		DATE				
DRAWN	G.M.Chen	2015/6/26				
CHECKED			TITLE:	SLIDE SWITCHES		
APPROVALS			PART NO.	SS-12D10-GX		
TOLERANCES ARE		30~以上 ±0.30	ANGLE	UNIT: mm	SCALE: 1:1	SHEET 1 OF 1
		10~30 ±0.20		DRAWING NO.		PROJ:
		5~10 ±0.15	±2'			
		~ 5 ±0.10				

ECN NO.	REV.	DATE.	DESCRIPTION.	CHANGE.	CHECK.	APPRO.
	A		NEW			