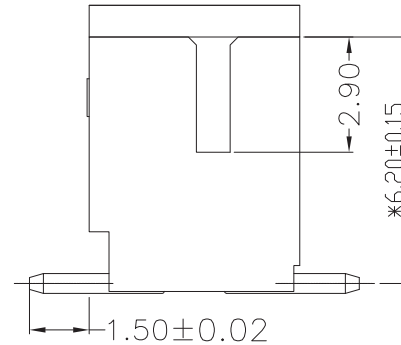
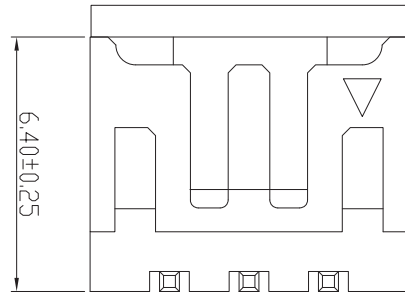
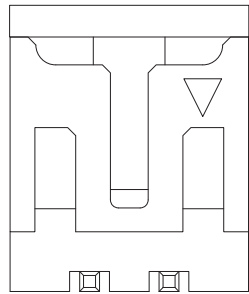


■ Specifications :

- Voltage rating: 250V AC / DC
- Current rating: 3A AC / DC
- Withstanding voltage: 800V AC/minute
- Temperature range: $-25^{\circ}\text{C} \sim +85^{\circ}\text{C}$
- Insulation resistance: $\geq 1000\text{M}\Omega$
- Contact resistance: $\leq 10\text{m}\Omega$
- After environmental testing: $\leq 20\text{m}\Omega$

PART NO.	Dimensions	
	A	B
2X02P	6.00	2.00
2X03P	8.00	4.00
2X04P	10.00	6.00
2X05P	12.00	8.00
2X06P	14.00	10.00
2X07P	16.00	12.00
2X08P	18.00	14.00
2X09P	20.00	16.00
2X10P	22.00	18.00
2X11P	24.00	20.00
2X12P	26.00	22.00
2X13P	28.00	24.00
2X14P	30.00	26.00
2X15P	32.00	28.00
2X16P	34.00	30.00
2X17P	36.00	32.00
2X18P	38.00	34.00
2X19P	40.00	36.00
2X20P	42.00	38.00



2P 视图

				TOLERANCE UNLESS OTHERWISE		DRAWN	CK tan	XFCN 兴飞连接器有限公司 CONNECTORS XFCN CONNECTORS CO., LTD.		SHEET	1/1
				X.	± 0.30	X°	$\pm 5^{\circ}$			CHKD	DATE
				.X	± 0.20	.X°	$\pm 2^{\circ}$	APPD	PRODUCT NAME	2.00mm Crimp Style Connectors	
				.XX	± 0.08	.XX°	$\pm 1^{\circ}$	VIEW	PART. NO.	SCALE	1:1
A0	MODIFICATION		DATE	.XXX	± 0.03	.XXX°	$\pm 0.5^{\circ}$			M2020VS-2*XX-9T	DWG. NO.