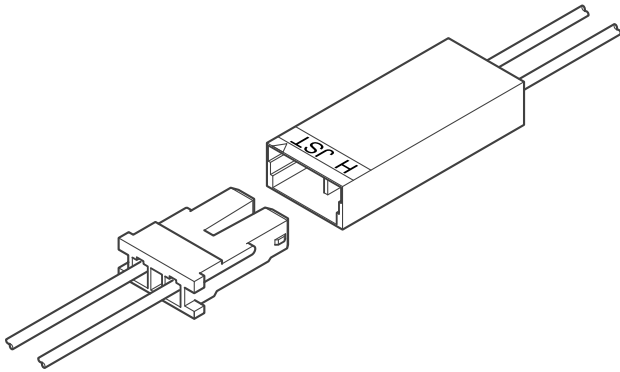


BHS CONNECTOR

3.5mm pitch/Disconnectable Crimp style Wire-to-wire connectors



Wire-to-wire version connectors, designed for connecting liquid crystal display back light lamp to their starters.

- Compact and applicable to high voltage
- Adopt wide large for socket contact

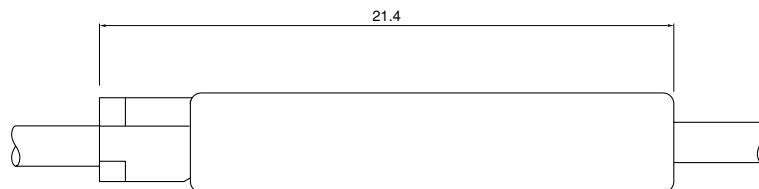
Specifications

- Current rating: 1.0A AC, DC
- Voltage rating: 1,400V AC, DC
- Temperature range: -25°C to +85°C
(including temperature rise in applying electrical current)
- Contact resistance: Initial value/10m Ω max.
After environmental testing/20m Ω max.
- Insulation resistance: 1,000M Ω min.
- Withstanding voltage: 3,800V AC/minute
- Applicable wire: Socket contact Conductor AWG #28 to #24
Insulation O.D./ 0.9 to 1.7mm
Pin contact Conductor AWG #28 to #24
Insulation O.D./ 0.9 to 1.8mm
- * Compliant with RoHS.
- * Refer to "General Instruction and Notice when using Terminals and Connectors" at the end of this catalog.
- * Contact JST for details.

Standards

- Ⓜ Recognized E60389
- Ⓢ Certified LR20812

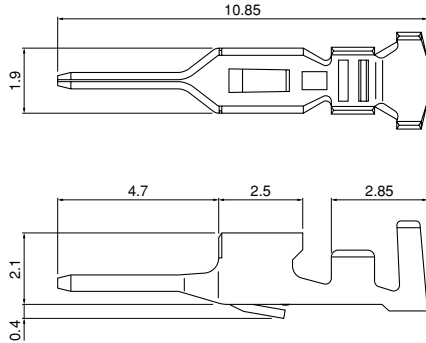
Assembly layout



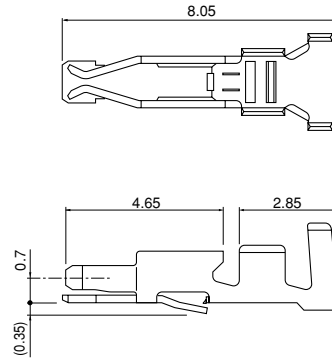
BHS CONNECTOR

Contact

Pin contact



Socket contact



Model No.		Applicable wire		Insulation O.D. (mm)		Q'ty / reel	
Pin contact	Socket contact	mm ²	AWG #	Pin contact	Socket contact	Pin contact	Socket contact
SBHSM-002T-P0.5	SBHS-002T-P0.5A	0.08~0.22	28~24	0.9~1.8	0.9~1.7	5,000	10,000

Material and Finish

Phosphor bronze, tin-plated (reflow treatment)

RoHS compliance

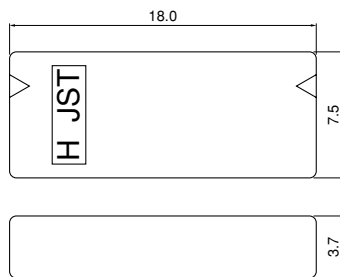
Note: Contact JST for SBHS-002T-P0.5.

Contact	Crimping machine	Applicator		
		Crimp applicator	Dies	Crimp applicator with dies
SBHSM-002T-P0.5	AP-K2N	MKS-L	MK/SBHSM-002-05	APLMK SBHSM002-05
		—	—	—

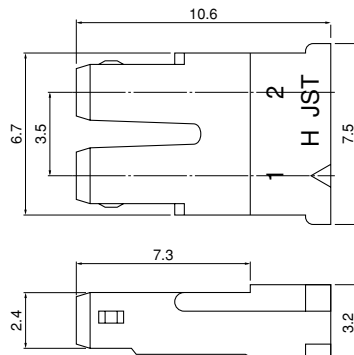
Contact	Crimping machine	Applicator		
		Crimp applicator	Dies	Crimp applicator with dies
SBHS-002T-P0.5A	AP-K2N	MKS-L	MK/SBHS-002-05	APLMK SBHS002-05
		—	—	—

Housing

Receptacle housing (for pin contact)



Socket housing (for socket contact)



Model No.		Q'ty / bag
Receptacle housing	Socket housing	
BHSMR-02VS	BHSR-02VS-1 (N)	1,000

Material

PA 66, UL94V-0, natural (white)

RoHS compliance

Note: Contact JST for BHSR-02VS-1.