

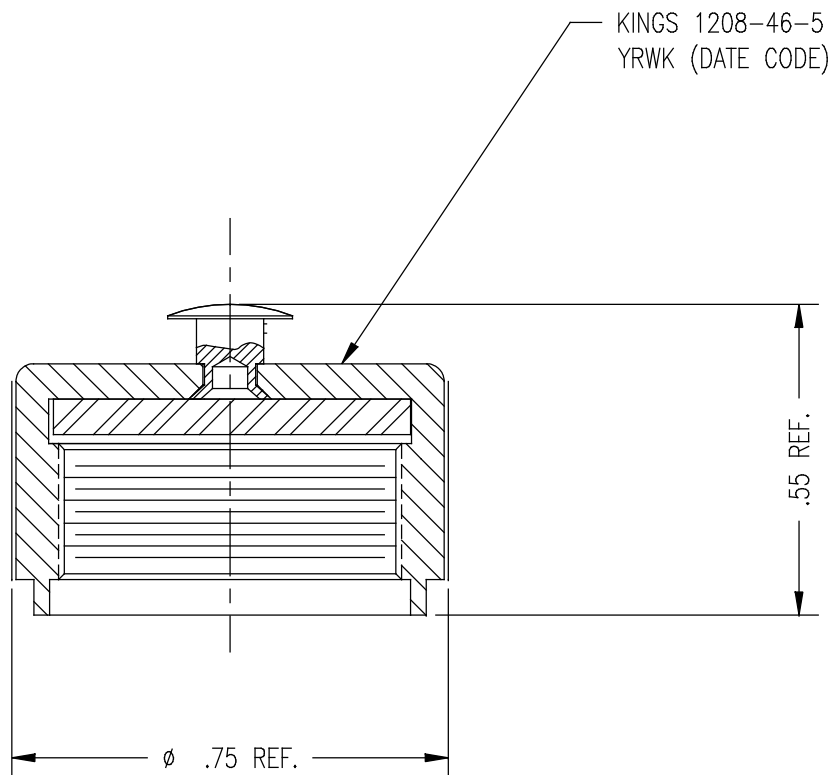
DASH NO.	M CODE	MADE FROM
----------	--------	-----------

GSD

1208-46-5

REVISIONS	
ISSUE	CHANGES

0	ER 39533 DCT 7/14/6
---	------------------------



NOTES:

1. MATERIALS:
 - PLUG CAP STUD } BRASS, ASTM-B16
 - CAP
2. FINISHES:
 - PLUG CAP STUD } SILVER PLATE, ASTM-B700
 - CAP

SCALE	2 : 1
-------	-------

APPROX SURFACE AREA	N/A
---------------------	-----

USED ON	
---------	--

REF:	-
------	---

N CAP

DRAWN	DCT	DATE	6/27/6
-------	-----	------	--------

DESIGN	DCT	DATE	6/27/6
--------	-----	------	--------

APPR.		DATE	
-------	--	------	--

KINGS
ELECTRONICS CO., INC.

ROCK HILL, SOUTH CAROLINA 29730

GSD

1208-46-5