

PLEASE CHECK WWW.MOLEX.COM FOR LATEST PART INFORMATION

Part Number: [0878390019](#)
Status: **Active**
Description: 1.27mm (.050") Signal Pitch, 0.80mm (.031") SCSI Pitch, 1.27mm (.050") Power Pitch SAS Receptacle, Vertical, Hybrid, with Straight Solder Tab, 3.00mm (.120") PCB Thickness, Tray Packaging, without Cap, 29 Circuits, Lead free

Documents:

[3D Model](#) [Product Specification PS-87839-041 \(PDF\)](#)
[Drawing \(PDF\)](#) [RoHS Certificate of Compliance \(PDF\)](#)

Agency Certification

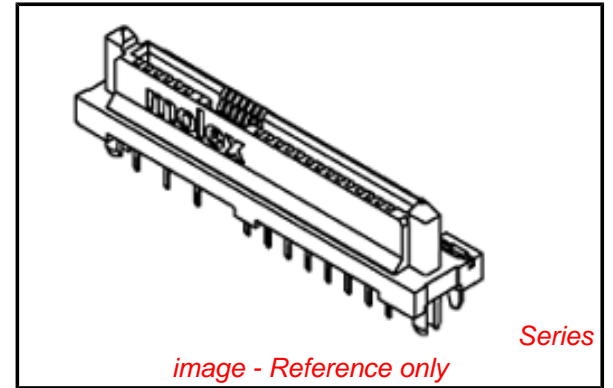
CSA LR19980
 UL E29179

General

Product Family I/O Connectors
 Series [87839](#)
 Application Board-to-Board
 Comments No pick and place cap
 Component Type Receptacle
 Product Name SAS
 Type N/A

Physical

Boot Color N/A
 Circuits (Loaded) 29
 Circuits (maximum) 29
 Circuits Detail Signal 7, SCSI 7, Power 15
 Color - Resin Black
 Durability (mating cycles max) 500
 Flammability 94V-0
 Gender Female
 Keying to Mating Part Yes
 Lock to Mating Part None
 Material - Metal Phosphor Bronze
 Material - Plating Mating Gold, Tin
 Material - Plating Termination Tin
 Material - Resin High Temperature Thermoplastic
 Number of Rows 2
 Orientation Vertical
 PC Tail Length (in) 0.118 In, 0.137 In
 PC Tail Length (mm) 2.99 mm, 3.49 mm
 PCB Locator Yes
 PCB Retention Yes
 PCB Thickness Recommended (in) 0.120 In
 PCB Thickness Recommended (mm) 3.00 mm
 Packaging Type Tray
 Panel Mount Yes
 Pitch - Mating Interface (in) 0.031 In, 0.050 In
 Pitch - Mating Interface (mm) 0.80 mm, 1.27 mm
 Pitch - Term. Interface (in) 0.031 In, 0.050 In
 Pitch - Term. Interface (mm) 0.80 mm, 1.27 mm
 Plating min: Mating (µin) 30
 Plating min: Mating (µm) 0.76
 Plating min: Termination (µin) 102
 Plating min: Termination (µm) 2.54



EU RoHS

ELV and RoHS Compliant
REACH SVHC
 Not Reviewed
Halogen-Free Status
Not Reviewed

China RoHS



Need more information on product environmental compliance?

Email productcompliance@molex.com
 For a multiple part number RoHS Certificate of Compliance, [click here](#)

Please visit the [Contact Us](#) section for any non-product compliance questions.

Search Parts in this Series

[87839Series](#)

Mates With

Device Plugs [87679](#) , [87799](#) , [87703.](#) , SFF 8482 Hard Disk Drive and Backplane Plug

| | |
|--------------------------------|-----------------------------|
| Polarized to Mating Part | Yes |
| Polarized to PCB | Yes |
| Surface Mount Compatible (SMC) | Yes |
| Temperature Range - Operating | 0°C to +55°C |
| Termination Interface: Style | Surface Mount, Through Hole |
| Waterproof / Dustproof | No |
| Wire Size AWG | N/A |

Electrical

| | |
|-------------------------------|------|
| Current - Maximum per Contact | 1.5A |
| Shielded | No |
| Voltage - Maximum | 30V |

Solder Process Data

| | |
|--|---------------------------|
| Duration at Max. Process Temperature (seconds) | 10 |
| Lead-free Process Capability | Reflow Capable (SMT only) |
| Max. Cycles at Max. Process Temperature | 1 |
| Process Temperature max. C | 260 |

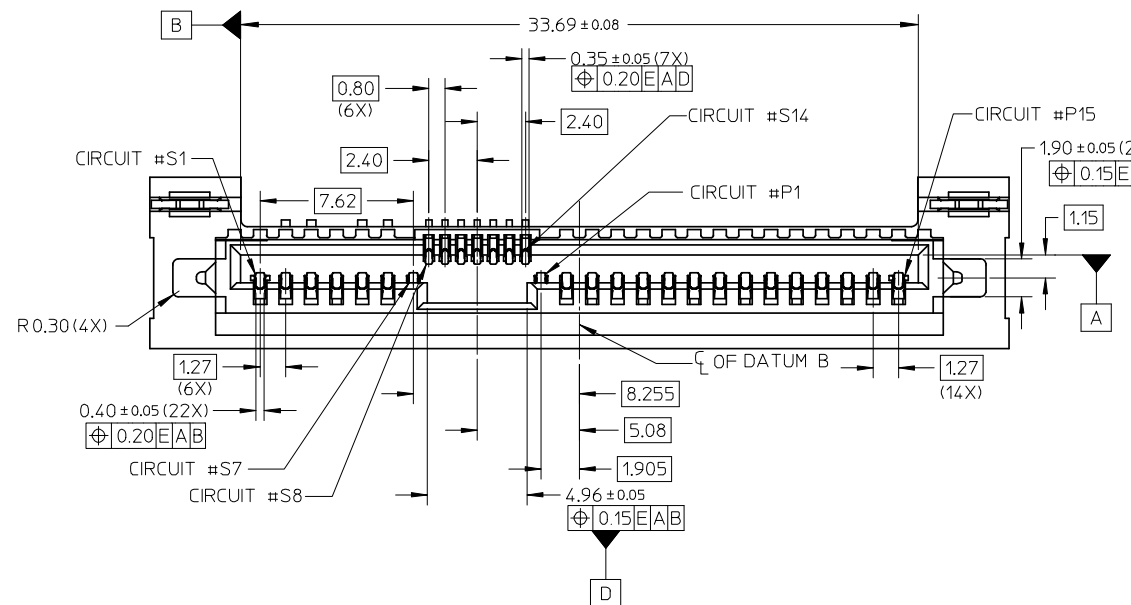
Material Info

Reference - Drawing Numbers

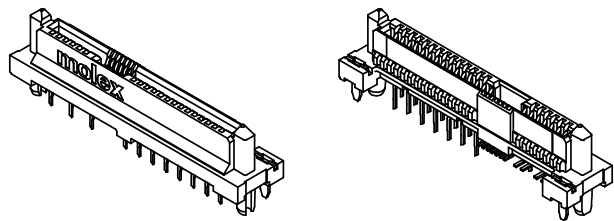
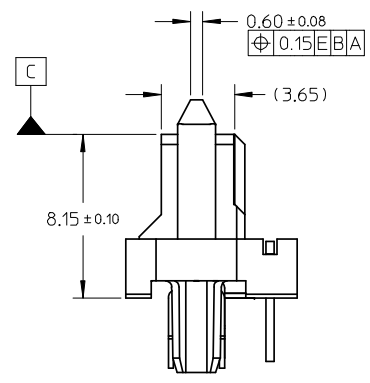
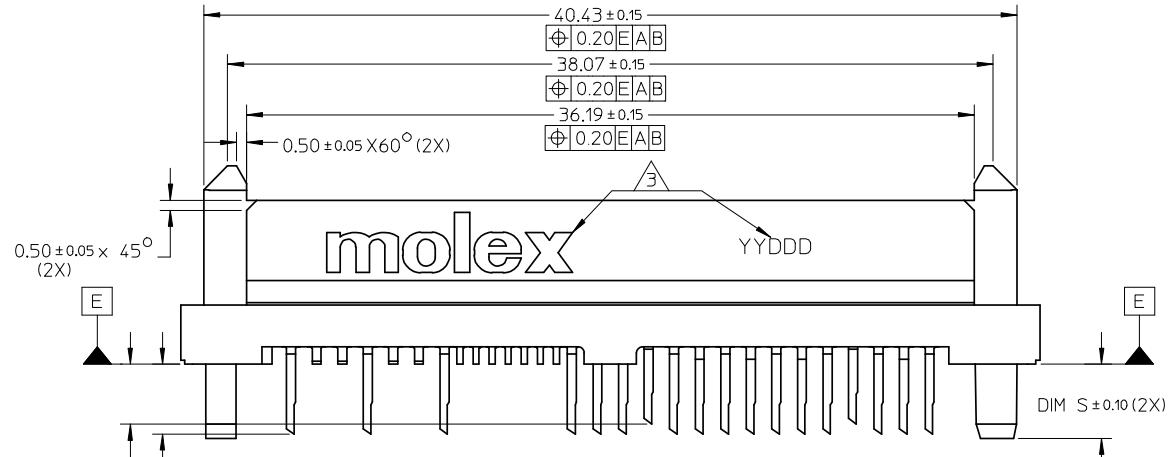
| | |
|-----------------------|--------------|
| Product Specification | PS-87839-041 |
| Sales Drawing | SD-87839-040 |

This document was generated on 04/09/2010

PLEASE CHECK WWW.MOLEX.COM FOR LATEST PART INFORMATION

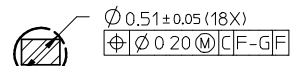
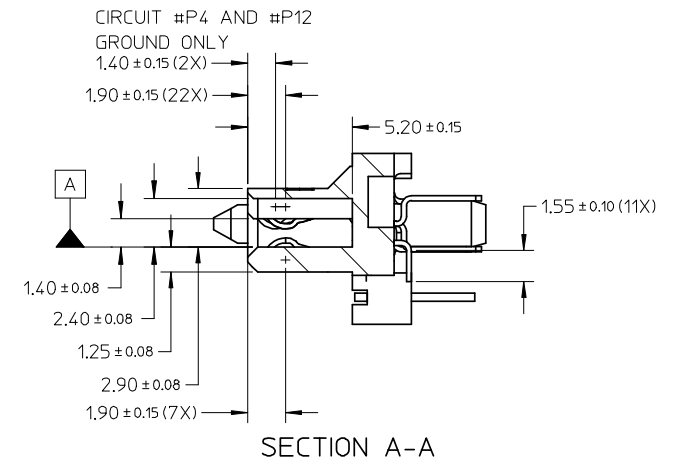
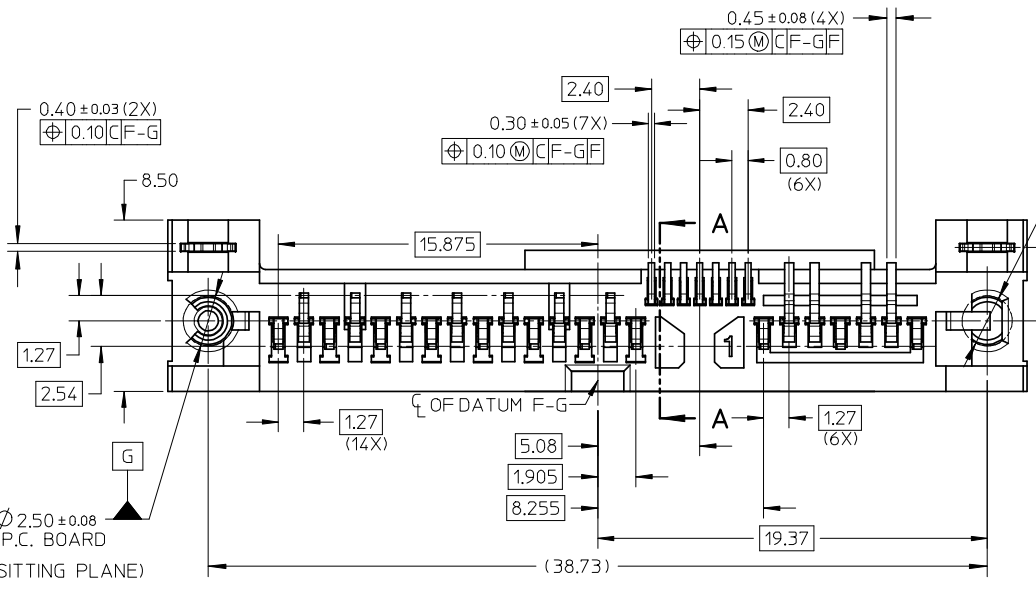
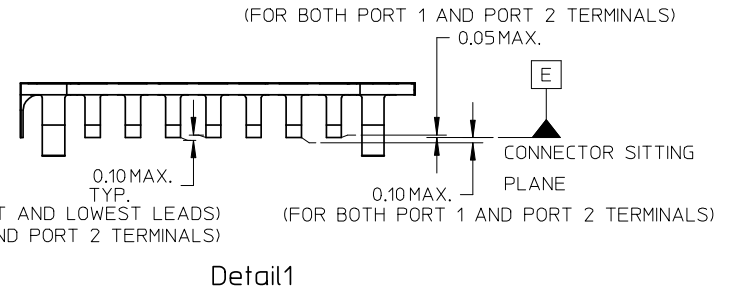
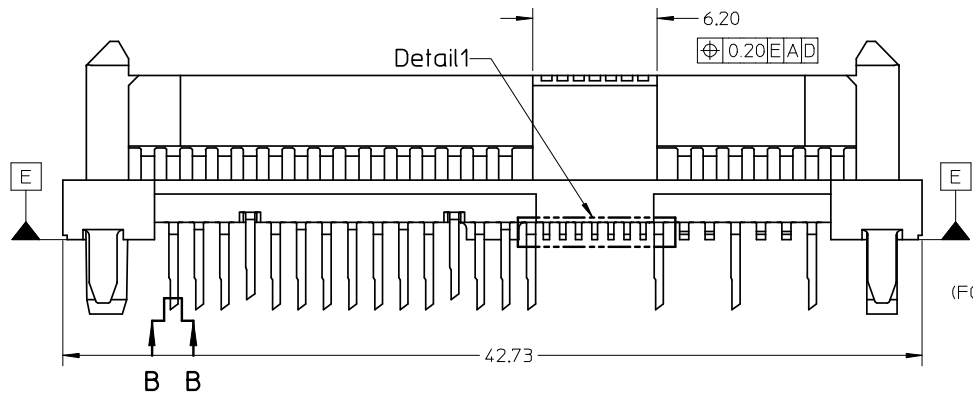


- NOTES:
- MATERIAL: LIQUID CRYSTALLINE POLYMER (LCP), GLASS FILLED, UL 94V-0, COLOR: BLACK
TERMINAL: COPPER ALLOY
 - PLATING:
CONTACT: $0.76 \mu\text{m}$ MIN. SELECTIVE GOLD OVER $1.27 \mu\text{m}$ MIN. NICKEL UNDERPLATE.
SOLDERTAIL: $2.54 \mu\text{m}$ MIN. TIN OVER $1.27 \mu\text{m}$ MIN. NICKEL UNDERPLATE.
 - MOLEX LOGO AND DATE CODE LOCATED APPROXIMATELY AS SHOWN.
 - PACKAGING: SEE TABLE
 - PRODUCT IS COMPLIANT TO RoHS DIRECTIVE WITH THE FOLLOWING BANNED SUBSTANCES - LEAD, MERCURY, CADMIUM, HEXAVALENT CHROMIUM, POLYBROMINATED BIPHENYLS AND POLYBROMINATED DIPHENYL ETHERS.
 - PRODUCT SPECIFICATION PS-87839-041 APPLIES.
 - MATES WITH: SFF-8482 PLUG
SATA PLUG SERIES: 87679, 87703, 87799



| | | | | | | | | | | |
|--|--------------------|-------------------------------|---------------------------------------|--------|----------------------------|----------------------|--|------------------------|---|---------------------|
| UPDATE DRAWING EC NO: S2008-0663 2008/02/14 DRW:KHLIM 2008/02/15 CHKD:CGOH 2008/02/18 APPR:KCLING | DESCRIPTION REV | QUALITY SYMBOLS ▽=0 ◻=0 | GENERAL TOLERANCES (UNLESS SPECIFIED) | | DIMENSION STYLE MM ONLY | | SCALE NTS | DESIGN UNITS METRIC | THIRD ANGLE PROJECTION | |
| | | | mm | INCH | DRAWN BY DKOH | DATE 2004/11/23 | TITLE SERIAL ATTACH SCSI RECEPTACLE, HYBRID STANDARD HEIGHT | MOLEX INCORPORATED | | SHEET NO. 1 OF 4 |
| A6 | | | 4 PLACES | ± --- | ± --- | | | | SEE TABLE | |
| | | | 3 PLACES | ± --- | ± --- | CHECKED BY KCLING | DATE 2004/12/01 | | MATERIAL NO. SD-87839-040 | |
| | | | 2 PLACES | ± 0.20 | ± --- | APPROVED BY SKTOH | DATE 2004/12/01 | | DOCUMENT NO. | |
| | | | 1 PLACE | ± --- | ± --- | ANGULAR ± 3° | | | THIS DRAWING CONTAINS INFORMATION THAT IS PROPRIETARY TO MOLEX INCORPORATED AND SHOULD NOT BE USED WITHOUT WRITTEN PERMISSION | |

10 9 8 7 6 5 4 3 2 1



SECTION B-B

| | | | |
|-------------------|------------|------------|-------------|
| UPDATE DRAWING | 2008/02/14 | 2008/02/15 | 2008/02/18 |
| EC NO: S2008-0663 | DRW:KHLIM | CHKD:CGOH | APPR:KCLING |
| DESCRIPTION | REV | REV | REV |
| A6 | | | |

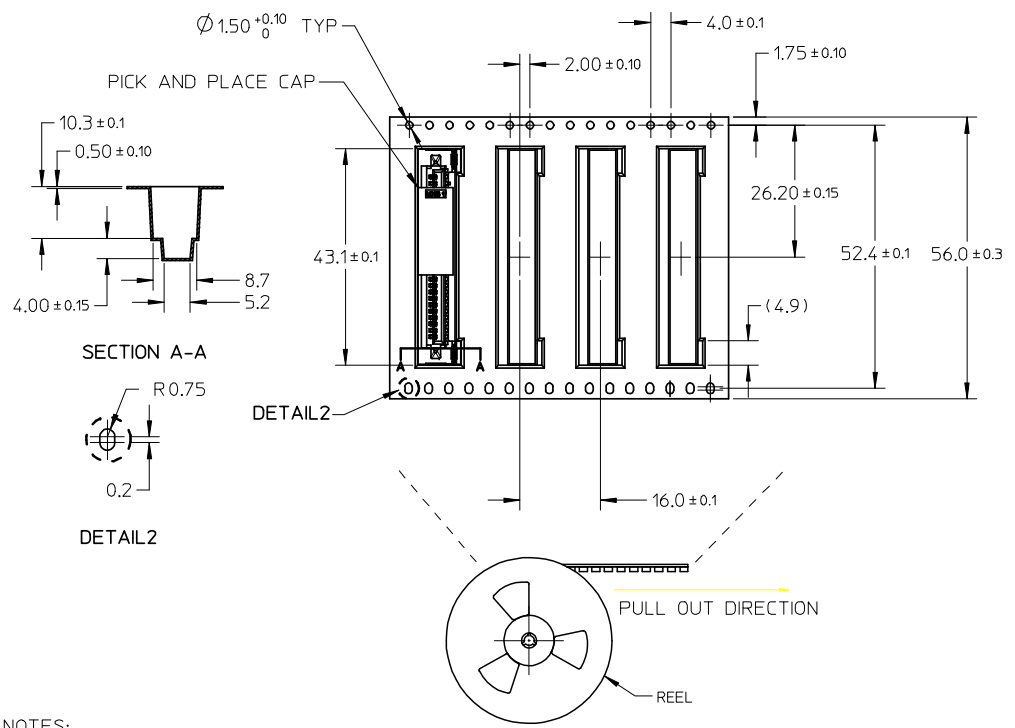
| | | | |
|--|-----------------------|---------------------|-----------|
| QUALITY SYMBOLS | $\nabla=0$ | $\sphericalangle=0$ | |
| | $\sphericalangle=0$ | | |
| GENERAL TOLERANCES (UNLESS SPECIFIED) | 4 PLACES | \pm --- | \pm --- |
| | 3 PLACES | \pm --- | \pm --- |
| | 2 PLACES | ± 0.20 | \pm --- |
| | 1 PLACE | \pm --- | \pm --- |
| | ANGULAR $\pm 3^\circ$ | | |
| DRAFT WHERE APPLICABLE MUST REMAIN WITHIN DIMENSIONS | | | |

| | | | |
|-----------------|------------|---|--------------|
| DIMENSION STYLE | | SCALE | DESIGN UNITS |
| MM ONLY | | NTS | METRIC |
| DRAWN BY | DATE | TITLE | |
| DKOH | 2004/11/23 | SERIAL ATTACH SCSI RECEPTACLE, HYBRID STANDARD HEIGHT | |
| CHECKED BY | DATE | MOLEX INCORPORATED | |
| KCLING | 2004/12/01 | MOLEX INCORPORATED | |
| APPROVED BY | DATE | DOCUMENT NO. | |
| SKTOH | 2004/12/01 | SD-87839-040 | |
| MATERIAL NO. | SEE TABLE | SHEET NO. | |
| | | 2 OF 4 | |

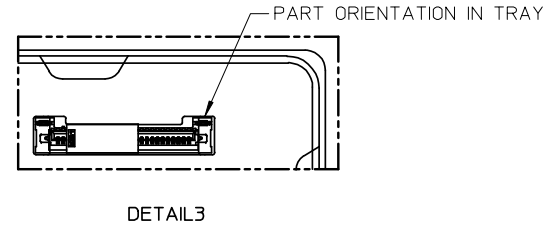
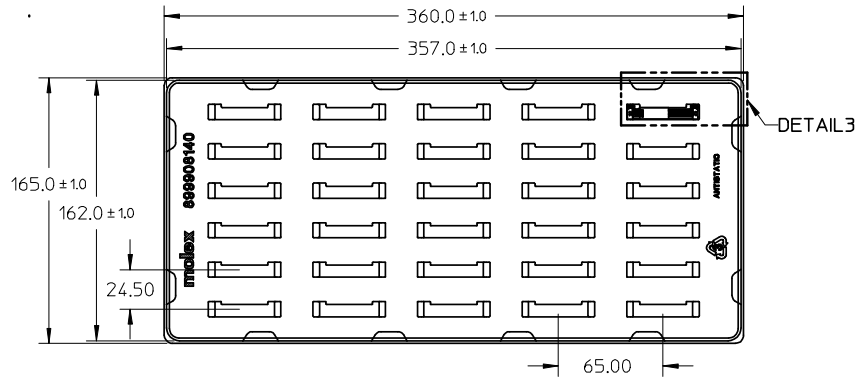
| | |
|---|--|
| THIRD ANGLE PROJECTION | |
| SERIAL ATTACH SCSI RECEPTACLE, HYBRID STANDARD HEIGHT | |
| MOLEX INCORPORATED | |
| DOCUMENT NO. SD-87839-040 | |
| SHEET NO. 2 OF 4 | |

9 8 7 6 5 4 3 2 1

TAPE AND REEL PACKAGING

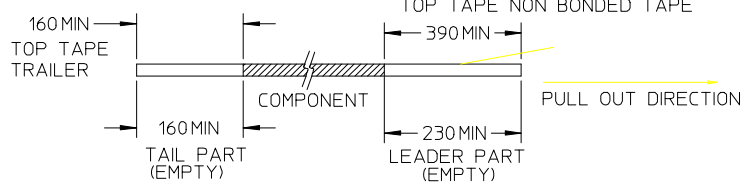


TRAY PACKAGING

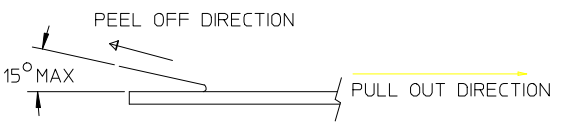


NOTES:

1. LEADER AND TRAILER TAPE



2. PEELING OFF FORCE OF THE TOP TAPE: 80gf MAX.
(PEELING DIRECTION AS SHOWN IN FOLLOWING FIGURE)



- 3. PACKAGING QTY IS: 350 PCS/REEL
- 4. PACKAING STANDARD IS AS PER EIA-481.
- 5. CONNECTOR COMES WITH PICK AND PLACE CAP.

NOTES:

- 1. PACKAGING QTY: 30PCS/TRAY
- 2. NO PICK AND PLACE CAP

| | | | | | | | |
|--|-------------------------------|---------------------------------------|---|--|------------|---|------------------------|
| UPDATE DRAWING EC NO: S2008-0663 DRW:KHLIM 2008/02/14 CHK:D:CGOH 2008/02/15 APPR:KCLING 2008/02/18 | QUALITY SYMBOLS ▽=0 ◻=0 | GENERAL TOLERANCES (UNLESS SPECIFIED) | | DIMENSION STYLE | SCALE | DESIGN UNITS | THIRD ANGLE PROJECTION |
| | | | | MM ONLY | NTS | METRIC | |
| | | | | DRAWN BY | DATE | TITLE | |
| | | 4 PLACES | ± --- ± --- | DKOH | 2004/11/23 | SERIAL ATTACH SCSI RECEPTACLE, HYBRID STANDARD HEIGHT | |
| 3 PLACES | ± --- ± --- | CHECKED BY | DATE | MOLEX INCORPORATED | | | |
| 2 PLACES | ± 0.20 ± --- | KCLING | 2004/12/01 | | | | |
| 1 PLACE | ± --- ± --- | APPROVED BY | DATE | MATERIAL NO. SKTOH 2004/12/01 DOCUMENT NO. SD-87839-040 | | | |
| ANGULAR ± 3 ° | | SEE TABLE | | | | | |
| DRAFT WHERE APPLICABLE MUST REMAIN WITHIN DIMENSIONS | | SIZE | THIS DRAWING CONTAINS INFORMATION THAT IS PROPRIETARY TO MOLEX INCORPORATED AND SHOULD NOT BE USED WITHOUT WRITTEN PERMISSION | | SHEET NO. | | |
| A6 | REV | A3 | | | 4 OF 4 | | |