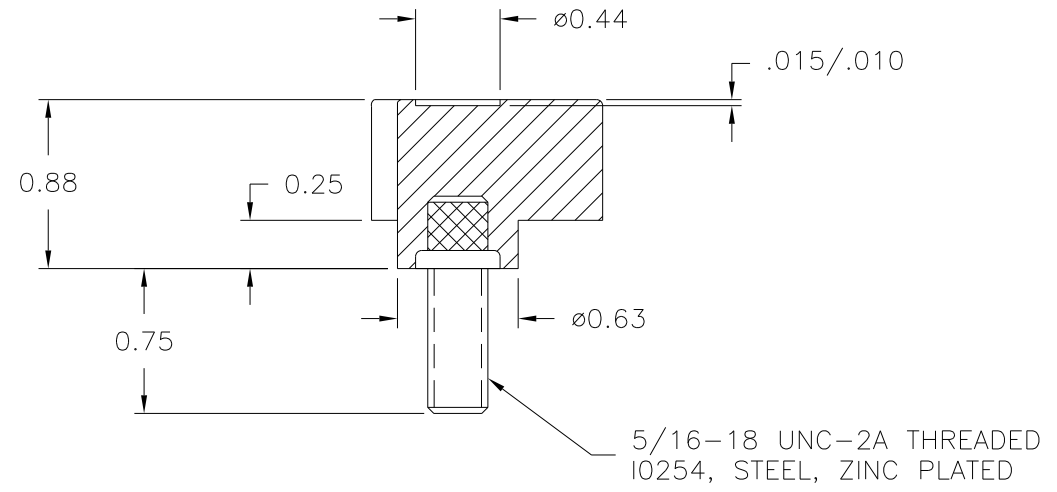
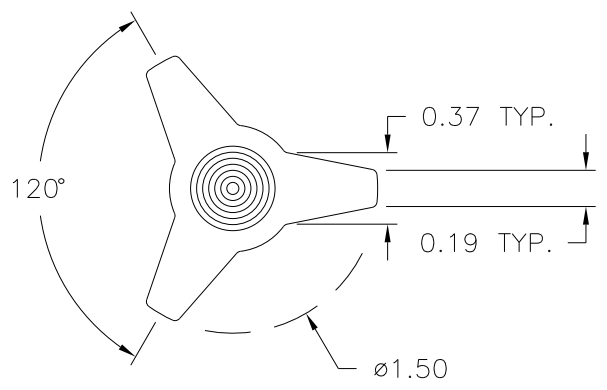


PART NAME: KNOB SCALE: 1:1 DATE: 1/3/94 DR. BY H.S.

THIS DRAWING IS THE PROPERTY OF DAVIES MOLDING COMPANY, IS SUBMITTED SOLELY AS A DESIGN OR ENGINEERING PROJECT. WE ACCEPT NO RESPONSIBILITY WHATSOEVER FOR THE PRACTICAL APPLICATION OF THE PIECES MADE TO THIS DESIGN.



P/N	3035BG
M ^{NO.}	3035
PIN	3008-25
SHIMS	1/4+1/8
PLUNGER PIN	3035-A
INSERT	I0254



MATERIAL: G.P. PHENOLIC (B11)
 COLOR: BLACK

TOLERANCES: UNLESS OTHERWISE SPECIFIED	DO NOT SCALE DRAWING			
DECIMALS: X.XXX ± .005 X.XX ± .015	MM: X.XX ± 0.15MM X.X ± 0.4MM	- REDRAWN	TL	11/16/99
FRACTIONS ± 1/64	ANG. ± 1°	- DWG. UPDATED	HD	4/30/98
CHANGES				