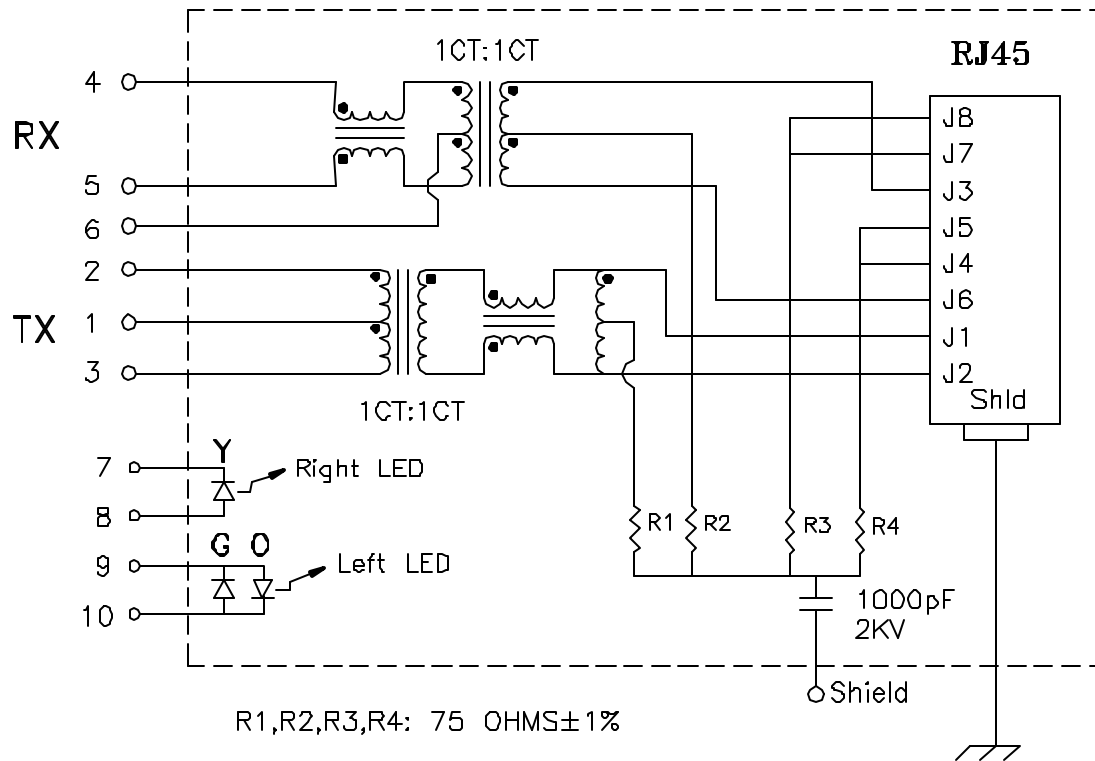


## Schematic:



## Electrical Specifications: @25°C

Isolation Voltage: 1500 Vrms (Input to Output)  
 Isolation Voltage: 500 Vrms (P1+2+3 to P4+5+6)  
 Turns Ratio: TX 1CT:1CT ±3% RX 1CT:1CT ±3%  
 CABLE SIDE OCL: 350uH Min @100KHz 100mV 8mADC  
 CDMR: @300KHz - 100MHz 40dB Min  
 CMMR: @300KHz - 100MHz 30dB Min  
 Insertion Loss (1MHz-100MHz): -1.0dB Max  
 Return Loss: @1MHz-30MHz -18dB Min  
                   @30MHz-60MHz 18-20 log (f/30MHz)  
                   @60MHz-80MHz -12dB Min  
 Crosstalk: @1MHz -65dB Min  
                   @30MHz -45dB Min  
                   @60MHz -37dB Min  
                   @100MHz -35dB Min

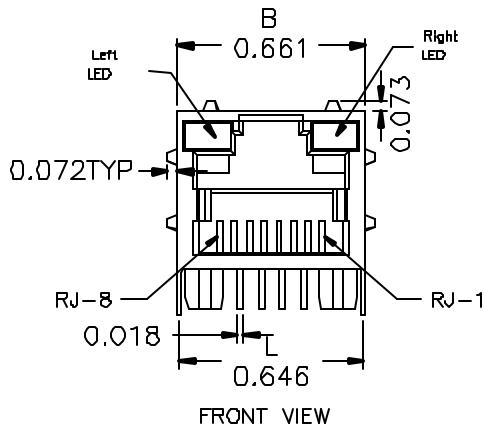
### Notes:

1. Solderability: Leads shall meet MIL-STD-202, Method 208D for solderability.
2. Flammability: UL94V-0
3. ASTM oxygen index. > 28%
4. Temperature rating: 155°C. UL file E151556
5. Operating Temperature Range: -40°C to +85°C

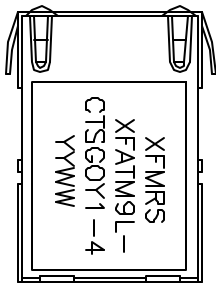
DOC. REV: A/3

<b>XFMRs Inc.</b> UNLESS OTHERWISE SPECIFIED TOLERANCES: .xxx ±0.010 Dimensions in Inch SHEET 1 OF 2	Title: SINGLE PORT COMBO TAB UP		
	P/N: XFATM9L-CTSGOY1-4		REV. A
	DWN.	Kang Chen	Oct-31-03
	CHK.	YK Liao	Oct-31-03
APP.	<b>MS</b>	Oct-31-03	

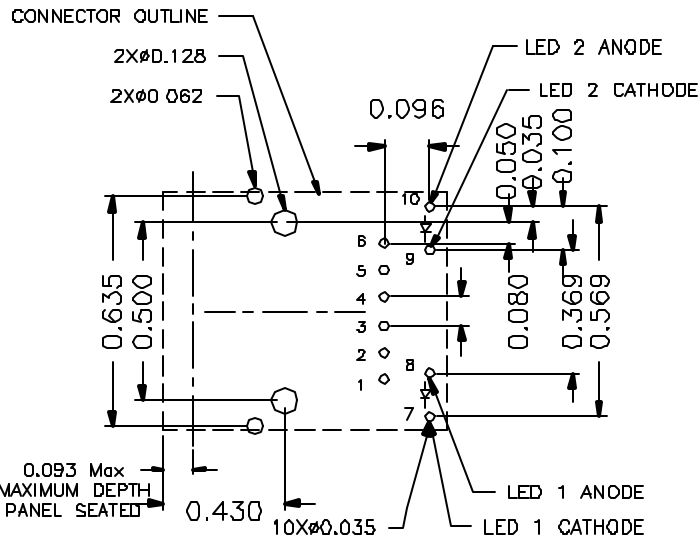
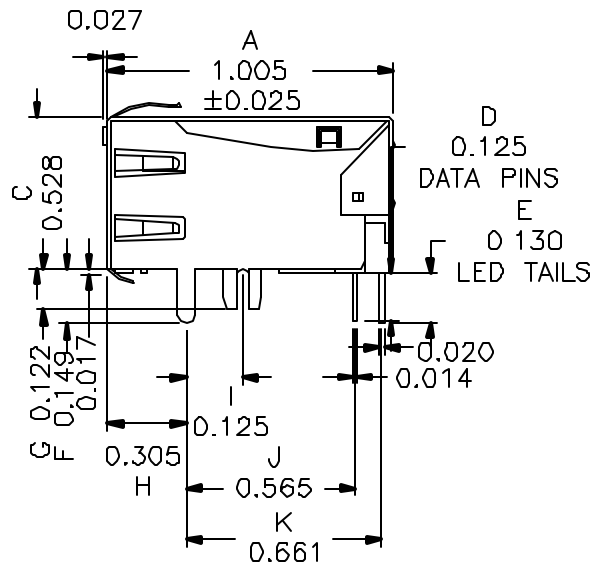
# Mechanical Dimensions:



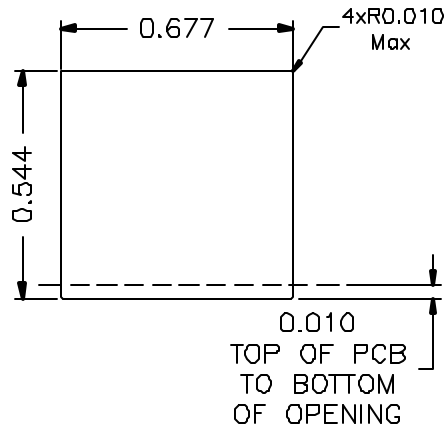
FRONT VIEW



TOP VIEW



RECOMMENDED P.C.B LAYOUT  
COMPONENT SIDE OF BOARD



FACE VIEW  
RECOMMENDED PANEL CUTOUT

DOC. REV A/3

<b>XFMR9 Inc.</b>	Title: Mechanical Dimensions Tab Up Connector		
UNLESS OTHERWISE SPECIFIED TOLERANCES: .xxx ±0.010 Dimensions in Inch	P/N: XFATM9L-CTSGOY1-4	REV. A	
	DWN.	Kang Chen	Oct-31-03
	CHK.	YK Liao	Oct-31-03
SHEET 2 OF 2	APP.	MS	Oct-31-03