



**554 SERIES SINGLE AND DUAL LAMP SWITCHES**

Caps Ordered Separately  
See Page 27.

MOMENTARY ACTION 0.5 TO 7 AMP , 30VDC OR 125VAC (MAX)

PART NO.	ACCEPTS CAP SIZE	CONTACT CIRCUIT	FIG
554-1121	ALL	SPDT	1
554-1121-111	1/2" SQ.	SPDT	2
554-1121-211	5/8" SQ.	SPDT	3
554-1121-311	5/8" X 3/4"	SPDT	4
554-1121-411	3/4" SQ.	SPDT	5
554-1121-511	3/4" X 1"	SPDT	6
554-1221	ALL	DPDT	1
554-1221-111	1/2" SQ.	DPDT	2
554-1221-211	5/8" SQ.	DPDT	3
554-1221-311	5/8" X 3/4"	DPDT	4
554-1221-411	3/4" SQ.	DPDT	5
554-1221-511	3/4" X 1"	DPDT	6
554-5121-411	DUAL LAMP	SPDT	7
554-5221-411	DUAL LAMP	DPDT	7

MOMENTARY ACTION .015 TO 1 AMP , 30 VDC OR 125VAC (MAX)

PART NO.	ACCEPTS CAP SIZE	CONTACT CIRCUIT	FIG
554-2121	ALL	SPDT	1
554-2121-211	5/8" SQ.	SPDT	3
554-2121-411	3/4" SQ.	SPDT	5
554-2221	ALL	DPDT	1
554-2221-111	1/2" SQ.	DPDT	2
554-2221-211	5/8" SQ.	DPDT	3
554-2221-311	5/8" X 3/4"	DPDT	4
554-2221-411	3/4" SQ.	DPDT	5
554-2221-511	3/4" X 1"	DPDT	6
554-6221-411	DUAL LAMP	DPDT	7

MOMENTARY ACTION, 1 TO 50 mA, 30VDC (MAX)

PART NO.	ACCEPTS CAP SIZE	CONTACT CIRCUIT	FIG
554-3121	ALL	SPDT	1
554-3221	ALL	DPDT	1
554-3221-211	5/8" SQ.	DPDT	2

ALTERNATE ACTION 0.5 TO 7 AMP, 30VDC OR 125 VAC (MAX)

PART NO.	ACCEPTS CAP SIZE	CONTACT CIRCUIT	FIG
554-1131-211	5/8" SQ.	SPDT	3
554-1131-411	3/4" SQ.	SPDT	5
554-1131-511	3/4" X 1"	SPDT	6
554-1231	ALL	DPDT	1
554-1231-111	1/2" SQ.	DPDT	2
554-1231-211	5/8" SQ.	DPDT	3
554-1231-311	5/8" X 3/4"	DPDT	4
554-1231-411	3/4" SQ.	DPDT	5
554-1231-511	3/4" X 1"	DPDT	6

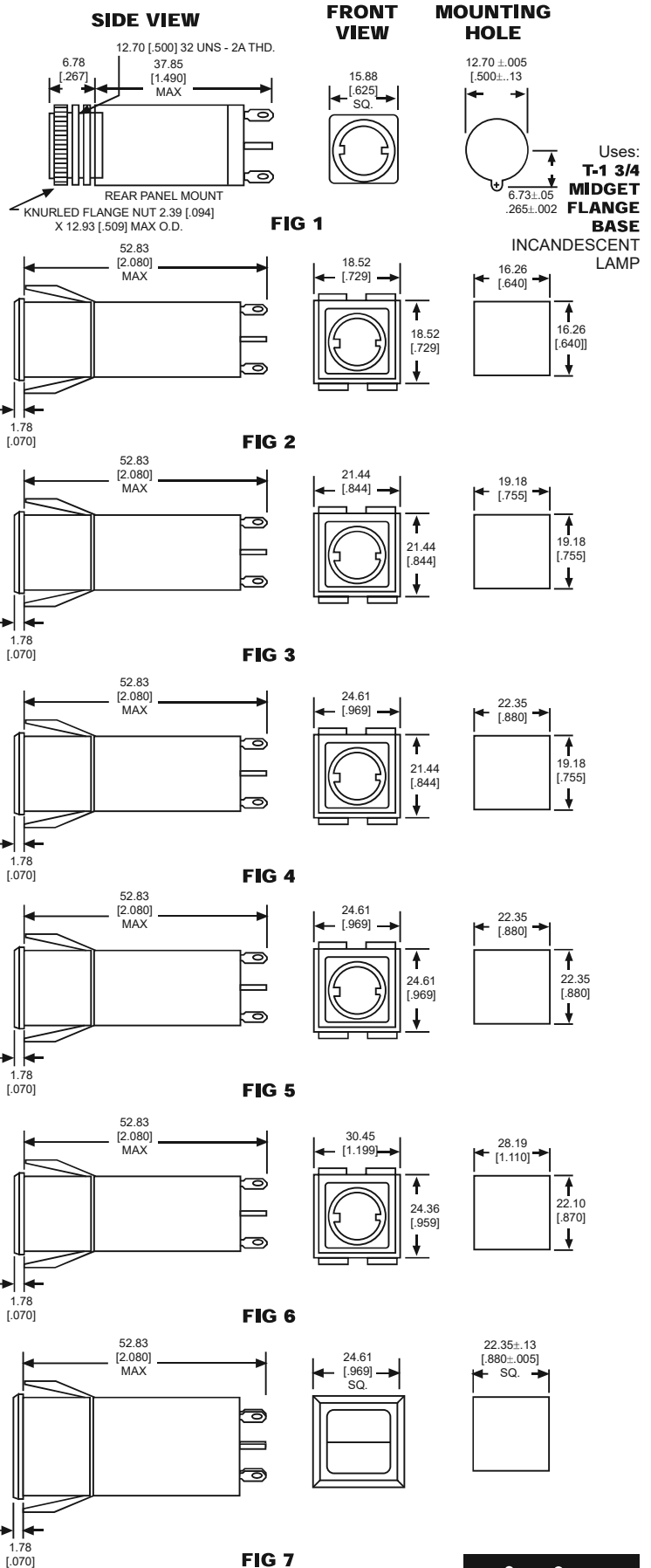
ALTERNATE ACTION, .015 TO 1 AMP, 30VDC OR 125VAC (MAX)

PART NO.	ACCEPTS CAP SIZE	CONTACT CIRCUIT	FIG
554-2231-111	1/2" SQ.	DPDT	2
554-2231-211	5/8" SQ.	DPDT	3
554-2231-311	5/8" X 3/4"	DPDT	4
554-2231-411	3/4" SQ.	DPDT	5
554-2231-511	3/4" X 1"	DPDT	6
554-6231-411	DUAL LAMP	DPDT	7

Material & Finish: All plastic switch components made from 94V-0 Material

Neon and incandescent lamp information on Pages 35 and 36.

Dimensions in mm [inches]

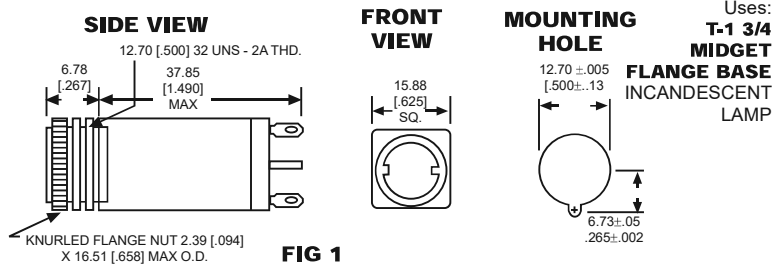




# 554 SERIES SOLID STATE, HALL EFFECT SWITCHES

MOMENTARY ACTION 4.5 VDC TO 16 VDC

PART NO.	ACCEPTS CAP SIZE	CONTACT CIRCUIT	FIG
554-7321	ALL	SPST N.O.	1
554-7321-211	5/8" SQ.	SPST N.O.	2
554-7321-411	3/4" SQ.	SPST N.O.	3
554-7321-511	3/4" X 1"	SPST N.O.	4



# 554 SERIES INDICATORS

PART NO.	ACCEPTS CAP SIZE	FIG
554-0001	ALL	1
554-0001-211	5/8" SQ.	2
554-0001-411	3/4" SQ.	3
554-0001-511	3/4" X 1"	4
554-4001-411	DUAL LAMP	5

Caps Ordered Separately, see Page 25

# 565 SERIES BARRIERS

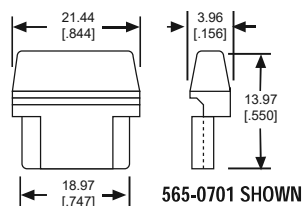
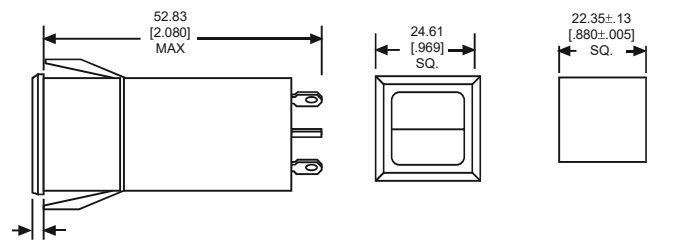
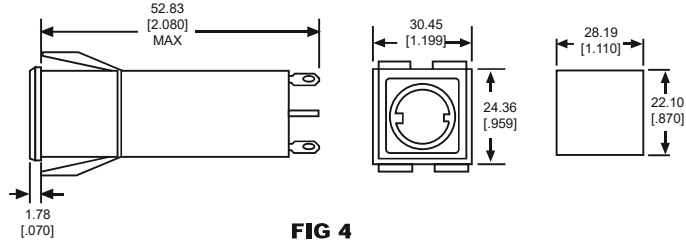
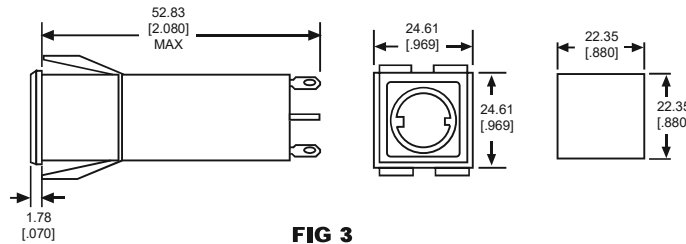
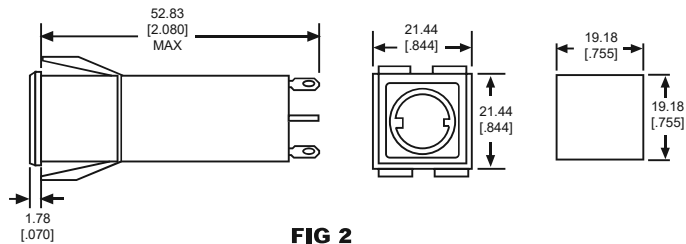
PART NO.	DESCRIPTION	FOR USE WITH BEZEL SUFFIX
565-0701	5/8" END BARRIER	-211 OR -311
565-0711	5/8" CENTER BARRIER	-211 OR -311
565-0721	3/4" END BARRIER	-411 OR -511
565-0731	3/4" CENTER BARRIER	-411 OR -511

### GENERAL INFORMATION:

Barriers may be used with Snap-In Bezel Mounting Switches to provide safer separation between switch caps, thereby minimizing accidental actuation of the wrong switch. "End" and "center" barrier are used if two or more switches are mounted in common hole cutout. For individual switch mounting, two end barriers are used.

### INSERTION:

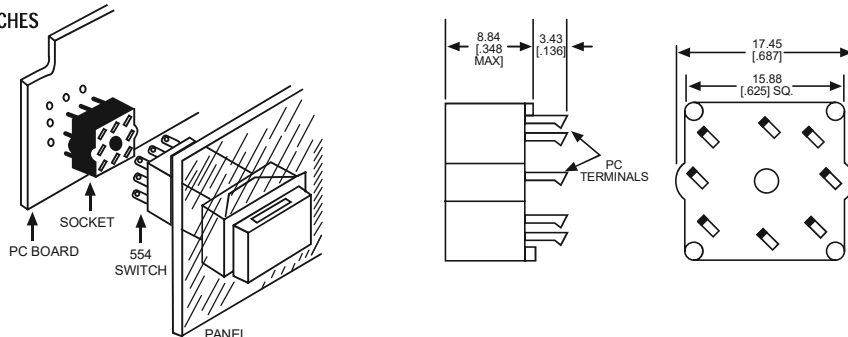
The barriers are held to the side of the switch by hand and inserted as one unit. The end or side barrier becomes captured upon insertion into a panel and appear to be one complete assembly.



# 501 SERIES PCB SOCKETS

WAVE SOLDERABLE PCB SOCKETS FOR 554 SWITCHES

PART NO.	FOR SWITCH
501-1001	554-00
501-1001	554-11
501-2001	554-12
501-1001	554-21
501-2001	554-22
501-1002	554-31
501-2002	554-32
501-1002	554-73



Material: All plastic switch components made from 94V-0 plastic

Neon and incandescent lamp information on Pages 35 and 36.

Dimensions in mm [inches]





## 324, 325, 326, 327, 328, 332 & 333 SERIES CAPS

### 1/2" SQUARE

CAP PART NO.	COLOR	FIG
324-0071	RED	1
324-0072	GREEN	1
324-0073	YELLOW	1
324-0075	WHITE	1

### 5/8" x 3/4" RECTANGULAR

CAP PART NO.	COLOR	FIG
333-0071*	RED	2
333-0072*	GREEN	2
333-0073*	YELLOW	2
333-0075*	WHITE	2

\* Has Fingertip Grips

### 5/8" SQUARE

CAP PART NO.	COLOR	FIG
325-0071	RED	3
325-0072	GREEN	3
325-0073	YELLOW	3
325-0075	WHITE	3

### 3/4" SQUARE

CAP PART NO.	COLOR	FIG
327-0071	RED	4
327-0072	GREEN	4
327-0073	YELLOW	4
327-0075	WHITE	4

### 5/8" SQUARE LED

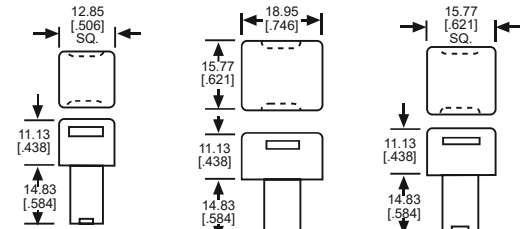
CAP PART NO.	LED/CAP	FIG
332-0010	RED/BLACK	5
332-0015	RED/WHITE	5
332-0020	GREEN/BLACK	5
332-0030	YELLOW/BLACK	5

### 3/4" x 1" RECTANGULAR

CAP PART NO.	COLOR	FIG
328-0071	RED	6
328-0072	GREEN	6
328-0073	YELLOW	6
328-0075	WHITE	6

### 5/8" x 3/4" RECTANGULAR

CAP PART NO.	COLOR	FIG
326-0071	RED	7
326-0072	GREEN	7
326-0073	YELLOW	7
326-0075	WHITE	7



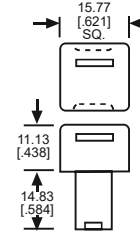
**Fig 1**

**Fig 2**

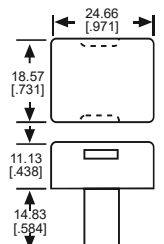
**Fig 3**



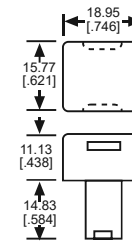
**Fig 4**



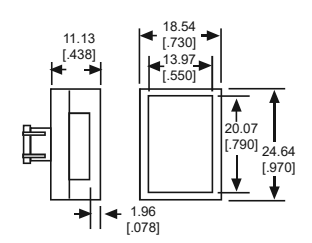
**Fig 5**



**Fig 6**



**Fig 7**



**Fig 8**

Please contact factory for legend information available on Figures 1 thru 8.

## 329 & 330 SERIES CAP KITS

### 3/4" X 1" LEGEND KITS - SINGLE LAMP

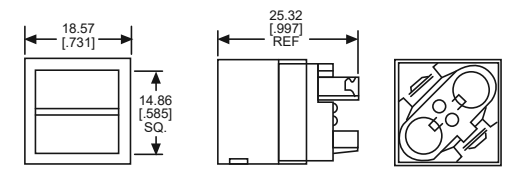
KIT PART NO.	LENS/FILTER COLOR	FIG
329-0701-030	RED, GREEN, AMBER, BLUE/NONE	8
329-0701-037	CLEAR/NONE	8
329-0701-537	CLEAR/RED, GREEN, AMBER, BLUE	8

### 3/4" LEGEND KITS - DUAL LAMP

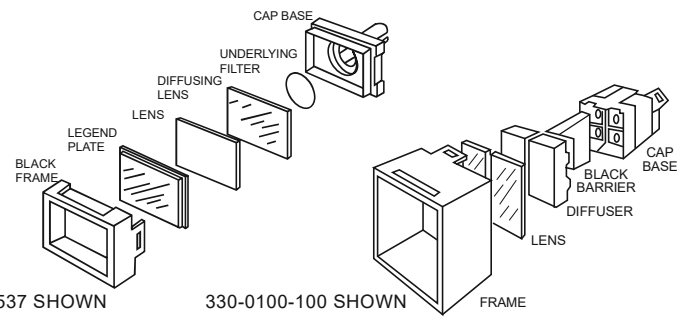
KIT PART NO.	LENS/FILTER COLOR	FIG
330-0100-100	RED, GREEN, AMBER, BLUE, WHITE/NONE	9
330-0255-155	(2) WHITE/RED, GREEN, AMBER, BLUE	9

Legends provided by Dialight Stocking Distributors

Material: Cap, High Temperature Scratch-Resistant Plastic



**Fig 9**



329-0701-537 SHOWN

330-0100-100 SHOWN

