



# Mobile Pentium II™ System Clock Chip

## Recommended Application:

The ICS9248-92 is a fully compliant timing solution for the Intel mobile 440BX/MX chipset requirements.

## General Description:

Features include two strong CPU, seven PCI and eight SDRAM clocks. Three reference outputs are available equal to the crystal frequency. Stronger drive CPUCLK outputs typically provide greater than 1 V/ns slew rate into 20pF loads. This device meets rise and fall requirements with 2 loads per CPU output (ie, one clock to CPU and NB chipset, one clock to two L2 cache inputs).

PWR\_DWN# pin allows low power mode by stopping crystal OSC and PLL stages. For optional power management, CPU\_STOP# can stop CPU (0:1) clocks and PCI\_STOP# will stop PCICLK (0:5) clocks

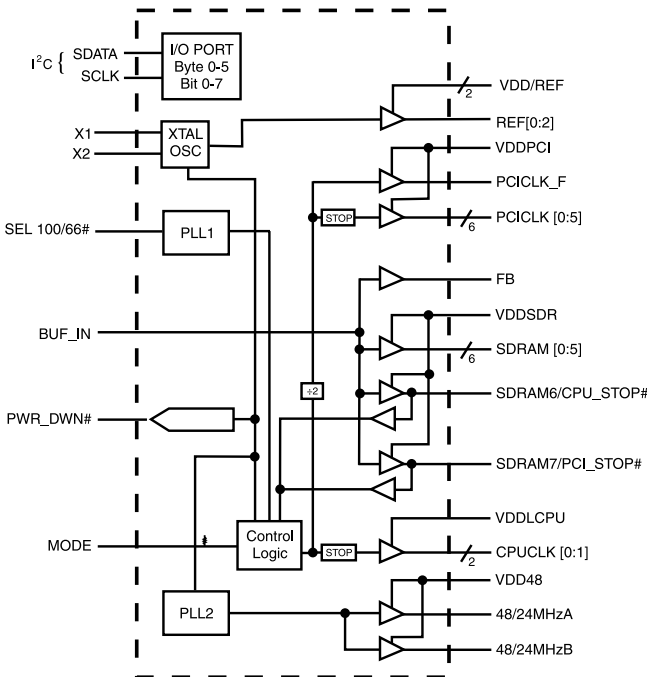
PCICLK outputs typically provide better than 1V/ns slew rate into 30pF loads while maintaining 50±5% duty cycle. The REF clock outputs typically provide better than 0.5V/ns slew rates.

The ICS9248-92 accepts a 14.318MHz reference crystal or clock as its input and runs on a 3.3V core supply.

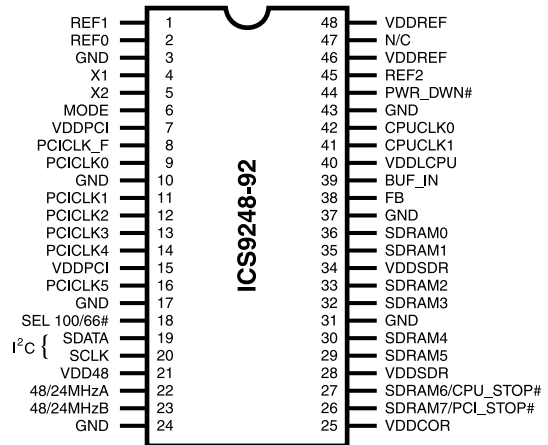
## Features

- Generates system clocks for CPU, SDRAM, PCI, plus 14.318 MHz REF(0:2), USB, Plus Super I/O
- I<sup>2</sup>C serial configuration interface provides output clock disabling and other functions
- MODE input pin selects optional power management input control pins
- Two fixed outputs separately selectable as 24 or 48MHz
- 2.5V outputs: CPU
- 3.3V outputs: SDRAM, PCI, REF, 48/24 MHz
- No power supply sequence requirements
- Uses external 14.318MHz crystal
- 48 pin 240 mil TSSOP package
- Output enable register  
for serial port control: 1 = enable  
0 = disable

## Block Diagram



## Pin Configuration



**48-Pin TSSOP 240 mil Package**

## Functionality

Crystal (X1, X2) = 14.31818 MHz

SEL 100/66#	CPUCLK (MHz)	PCICLK (MHz)
0	66.6	33.3
1	100	33.3

Pentium is a trademark on Intel Corporation.



## Pin Descriptions

PIN NUMBER	PIN NAME	TYPE	DESCRIPTION
45, 1, 2	REF [2:0]	OUT	Reference clock Output
3, 10, 17, 24, 31, 37, 43	GND	PWR	Ground (common)
4	X1	IN	Crystal or reference input, has internal crystal load cap
5	X2	OUT	Crystal output, has internal load cap and feedback resistor to X1
6	MODE	IN	Input function selection (see table page 3)
7, 15	VDDPCI	PWR	Supply for PCICLK_F, PCICLK [0:5], nominal 3.3V
8	PCICLK_F	OUT	Free running PCI clock, not affected by PCI_STOP#
9, 11, 12, 13, 14, 16	PCICLK [0:5]	OUT	PCI clocks
18	SEL100/66#	IN	Selects 66.6MHz or 100MHz for SDRAM and CPU (see tables page 1, 3)
19	SDATA	IN	I <sup>2</sup> C data input
20	SCLK	IN	I <sup>2</sup> C clock input
21	VDD48	PWR	Supply for 48/24MHzA, 48/24MHzB, nominal 3.3V
22	48/24MHzA	OUT	48/24MHz driver output for USB or Super I/O
23	48/24MHzB	OUT	48/24MHz driver output for USB or Super I/O
25	VDDCOR	PWR	Supply for PLL core, nominal 3.3V
26	SDRAM7	OUT	SDRAM clock output, fanout buffer output from BUF_IN pin
	PCI_STOP#	IN	Halts PCI Bus [0:5] at logic "0" level when low
27	SDRAM6	OUT	SDRAM clock output, fanout buffer output from BUF_IN pin
	CPU_STOP#	IN	Halts CPU clocks at logic "0" level when low
28, 34	VDDSDR	PWR	Supply for SDRAM [0:5], SDRAM6/CPU_STOP#, SDRAM7/PCI_STOP#, nominal 3.3V
40	VDDLCPU	PWR	Supply for CPUCLK [0:1] 2.5V nominal
42, 41	CPUCLK [0:1]	OUT	CPUCLK clock output, powered by VDDL2
36, 35, 33, 32, 30, 29	SDRAM [0:5]	OUT	SDRAM clock outputs, fanout buffer outputs from BUF_IN pin
38	FB	OUT	Feedback out
39	BUF_IN	IN	Input for SDRAM buffers
44	PWR_DWN#	IN	When driven active (low) powers down the device into low power state. Internal clocks are disabled, VCO and crystal OSC are stopped.
48, 46	VDDREF	PWR	Supply for REF [0:2], X1, X2, nominal 3.3V

## Power Groups

VDDCOR = Supply for PLL core

VDDREF = REF [0:2], X1, X2

VDDPCI = PCICLK\_F, PCICLK [0:5]

VDDSDR = SDRAM [0:7]

VDD48 = 48/24MHzA, 48/24MHz

VDDLCPU = CPUCLK [0:1]



### Power-On Conditions

SEL 100/66.6#	MODE	PIN #	DESCRIPTION	FUNCTION
1	1	41, 42	CPUCLKs	100 MHz - w/serial config enable/disable
		16, 14, 13, 12, 11, 9, 8	PCICLKs	33.3 MHz - w/serial config enable/disable
0	1	41, 42	CPUCLKs	66.6 MHz - w/serial config enable/disable
		16, 14, 13, 12, 11, 9, 8	PCICLKs	33.3 MHz - w/serial config enable/disable
1	0	26	PCI_STOP#	Power Management, PCI [0:5] Clocks Stopped when low
		27	CPU_STOP#	Power Management, CPU [0:5] Clocks Stopped when low
		8	PCICLK_F	33.3 MHz - PCI Clock Free running
		41, 42	CPUCLKs	100 MHz - CPU Clocks w/external Stop Control and serial config individual enable/disable.
		16, 14, 13, 12, 11, 9	PCICLKs	33.3 MHz - PCI Clocks w/external Stop control and serial config individual enable/disable.
0	0	26	PCI_STOP#	Power Management, PCI [0:5] Clocks Stopped when low
		27	CPU_STOP#	Power Management, CPU [0:5] Clocks Stopped when low
		8	PCICLK_F	33.3 MHz - PCI Clock Free running for Power Management
		41, 42	CPUCLKs	66.6 MHz - CPU Clocks w/external Stop control and serial config individual enable/disable.
		16, 14, 13, 12, 11, 9	PCICLKs	33.3 MHz - PCI Clocks w/external Stop control and serial config individual enable/disable.

Example:

- a) if MODE = 1, pins 26 and 27 are configured as SDRAM7 and SDRAM6 respectively.
- b) if MODE = 0, pins 26 and 27 are configured as PCI\_STOP# and CPU\_STOP# respectively.

### Power-On Default Conditions

At power-up and before device programming, all clocks will default to an enabled and “on” condition. The frequencies that are then produced are on the MODE pin as shown in the table below.

CLOCK	DEFAULT CONDITION AT POWER-UP
REF (0:2)	14.31818 MHz
48/24 MHz	48 MHz



## General I<sup>2</sup>C serial interface information

The information in this section assumes familiarity with I<sup>2</sup>C programming.  
For more information, contact ICS for an I<sup>2</sup>C programming application note.

### How to Write:

- Controller (host) sends a start bit.
- Controller (host) sends the write address D2<sub>(H)</sub>
- ICS clock will **acknowledge**
- Controller (host) sends a dummy command code
- ICS clock will **acknowledge**
- Controller (host) sends a dummy byte count
- ICS clock will **acknowledge**
- Controller (host) starts sending first byte (Byte 0) through byte 5
- ICS clock will **acknowledge** each byte **one at a time**.
- Controller (host) sends a Stop bit

How to Write:	
Controller (Host)	ICS (Slave/Receiver)
Start Bit	
Address D2 <sub>(H)</sub>	
	<b>ACK</b>
Dummy Command Code	
	<b>ACK</b>
Dummy Byte Count	
	<b>ACK</b>
Byte 0	
	<b>ACK</b>
Byte 1	
	<b>ACK</b>
Byte 2	
	<b>ACK</b>
Byte 3	
	<b>ACK</b>
Byte 4	
	<b>ACK</b>
Byte 5	
	<b>ACK</b>
Stop Bit	

### How to Read:

- Controller (host) will send start bit.
- Controller (host) sends the read address D3<sub>(H)</sub>
- ICS clock will **acknowledge**
- ICS clock will send the **byte count**
- Controller (host) acknowledges
- ICS clock sends first byte (**Byte 0**) through **byte 5**
- Controller (host) will need to acknowledge each byte
- Controller (host) will send a stop bit

How to Read:	
Controller (Host)	ICS (Slave/Receiver)
Start Bit	
Address D3 <sub>(H)</sub>	
	<b>ACK</b>
	<b>Byte Count</b>
ACK	
	<b>Byte 0</b>
ACK	
	<b>Byte 1</b>
ACK	
	<b>Byte 2</b>
ACK	
	<b>Byte 3</b>
ACK	
	<b>Byte 4</b>
ACK	
	<b>Byte 5</b>
ACK	
Stop Bit	

### Notes:

1. The ICS clock generator is a slave/receiver, I<sup>2</sup>C component. It can read back the data stored in the latches for verification. **Read-Back will support Intel PIIX4 "Block-Read" protocol.**
2. The data transfer rate supported by this clock generator is 100K bits/sec or less (standard mode)
3. The input is operating at 3.3V logic levels.
4. The data byte format is 8 bit bytes.
5. To simplify the clock generator I<sup>2</sup>C interface, the protocol is set to use only "**Block-Writes**" from the controller. The bytes must be accessed in sequential order from lowest to highest byte with the ability to stop after any complete byte has been transferred. The Command code and Byte count shown above must be sent, but the data is ignored for those two bytes. The data is loaded until a Stop sequence is issued.
6. At power-on, all registers are set to a default condition, as shown.



## Serial Configuration Command Bitmaps

Byte 0: Functional and Frequency Select Clock Register (default on Bits 7, 6, 5, 4, 1, 0 = 0)

Note: PWD=Power-Up Default (default on Bits 3, 2 = 1)

BIT	PIN#	DESCRIPTION	PWD										
Bit 7	-	Reserved	0										
Bit 6	-	Reserved	0										
Bit 5	-	In Spread Spectrum, Controls type (0=centered, 1=down spread)	1										
Bit 4	-	In Spread Spectrum, Controls Spreading (0= $\pm 0.5\%$ 1= $\pm 0.25\%$ )	0										
Bit 3	23	48/24 MHz (Frequency Select) 1=48 MHz, 0=24 MHz	1										
Bit 2	22	48/24 MHz (Frequency Select) 1=48 MHz, 0=24 MHz	1										
Bit 1 Bit 0	-	<table border="0"> <tr> <td>Bit1</td> <td>Bit0</td> </tr> <tr> <td>1</td> <td>1 - Tri-State</td> </tr> <tr> <td>1</td> <td>0 - Spread Spectrum Enable</td> </tr> <tr> <td>0</td> <td>1 - Testmode</td> </tr> <tr> <td>0</td> <td>0 - Normal operation</td> </tr> </table>	Bit1	Bit0	1	1 - Tri-State	1	0 - Spread Spectrum Enable	0	1 - Testmode	0	0 - Normal operation	10
Bit1	Bit0												
1	1 - Tri-State												
1	0 - Spread Spectrum Enable												
0	1 - Testmode												
0	0 - Normal operation												

### Select Functions

Functionality	CPU	PCI, PCI_F	SDRAM	REF	24 MHz Selection	48 MHz Selection
Tristate	HI - Z	HI - Z	HI - Z	HI - Z	HI - Z	HI - Z
Testmode	TCLK/2 <sup>1</sup>	TCLK/4 <sup>1</sup>	TCLK/2 <sup>1</sup>	TCLK <sup>1</sup>	TCLK/4 <sup>1</sup>	TCLK/2 <sup>1</sup>

#### Notes:

1. TCLK is a test clock driven on the X1 (crystal in pin) input during test mode.



**Byte 1: CPU, 24/48 MHz Clock Register**

BIT	PIN#	PWD	DESCRIPTION
Bit 7	23	1	48/24 MHz (Act/Inact)
Bit 6	22	1	48/24 MHz (Act/Inact)
Bit 5	-	1	Reserved
Bit 4	-	1	Reserved
Bit 3	-	1	Reserved
Bit 2	-	1	Reserved
Bit 1	41	1	CPUCLK1 (Act/Inact)
Bit 0	42	1	CPUCLK0 (Act/Inact)

**Notes:** 1 = Enabled; 0 = Disabled, outputs held low

**Byte 2: PCICLK Clock Register**

BIT	PIN#	PWD	DESCRIPTION
Bit 7	-	1	Reserved
Bit 6	8	1	PCICLK_F (Act/Inact)
Bit 5	16	1	PCICLK5 (Act/Inact)
Bit 4	14	1	PCICLK4 (Act/Inact)
Bit 3	13	1	PCICLK3 (Act/Inact)
Bit 2	12	1	PCICLK2 (Act/Inact)
Bit 1	11	1	PCICLK1 (Act/Inact)
Bit 0	9	1	PCICLK0 (Act/Inact)

**Notes:** 1 = Enabled; 0 = Disabled, outputs held low

**Byte 3: SDRAM Clock Register**

BIT	PIN#	PWD	DESCRIPTION
Bit 7	26	1	SDRAM7 (Act/Inact)
Bit 6	27	1	SDRAM6 (Act/Inact)
Bit 5	29	1	SDRAM5 (Act/Inact)
Bit 4	30	1	SDRAM4 (Act/Inact)
Bit 3	32	1	SDRAM3 (Act/Inact)
Bit 2	33	1	SDRAM2 (Act/Inact)
Bit 1	35	1	SDRAM1 (Act/Inact)
Bit 0	36	1	SDRAM0 (Act/Inact)

**Notes:** 1 = Enabled; 0 = Disabled, outputs held low

**Byte 4: SDRAM Clock Register**

BIT	PIN#	PWD	DESCRIPTION
Bit 7	-	1	Reserved
Bit 6	-	1	Reserved
Bit 5	-	1	Reserved
Bit 4	-	1	Reserved
Bit 3	-	1	Reserved
Bit 2	-	1	Reserved
Bit 1	-	1	Reserved
Bit 0	-	1	Reserved

**Notes:** 1 = Enabled; 0 = Disabled, outputs held low

**Byte 5: Peripheral Clock Register**

BIT	PIN#	PWD	DESCRIPTION
Bit 7	-	1	Reserved
Bit 6	-	1	Reserved
Bit 5	-	1	Reserved
Bit 4	-	1	Reserved
Bit 3	-	1	Reserved
Bit 2	45	1	REF2 (Act/Inact)
Bit 1	1	1	REF1 (Act/Inact)
Bit 0	2	1	REF0 (Act/Inact)

**Notes:** 1 = Enabled; 0 = Disabled, outputs held low  
PWD = Power-Up Default

**Byte 6: Optional Register for Future**

BIT	PIN#	PWD	DESCRIPTION
Bit 7	-	1	Reserved
Bit 6	-	1	Reserved
Bit 5	-	1	Reserved
Bit 4	-	1	Reserved
Bit 3	-	1	Reserved
Bit 2	-	1	Reserved
Bit 1	-	1	Reserved
Bit 0	-	1	Reserved

**Notes:**  
1. Byte 6 is reserved by Integrated Circuit Systems for future applications.

**Note:** PWD = Power-Up Default



## Power Management

### Clock Enable Configuration

CPU_STOP#	PCI_STOP#	PWR_DWN#	CPUCLK	PCICLK	Other Clocks, SDRAM, REF, 48/24 MHz A 48/24 MHz B	Crystal	VCOs
X	X	0	Low	Low	Stopped	Off	Off
0	0	1	Low	Low	Running	Running	Running
0	1	1	Low	33.3 MHz	Running	Running	Running
1	0	1	100/66.6 MHz	Low	Running	Running	Running
1	1	1	100/66.6 MHz	33.3 MHz	Running	Running	Running

Full clock cycle timing is guaranteed at all times after the system has initially powered up except where noted. During power up and power down operations using the PWR PD# select pin will not cause clocks of a short or longer pulse than that of the running clock. The first clock pulse coming out of a stopped clock condition may be slightly distorted due to clock network charging circuitry. Board routing and signal loading may have a large impact on the initial clock distortion also.

### ICS9248-92 Power Management Requirements

SIGNAL	SIGNAL STATE	Latency No. of rising edges of free running PCICLK
CPU_STOP#	0 (Disabled) <sup>2</sup>	1
	1 (Enabled) <sup>1</sup>	1
PCI_STOP#	0 (Disabled) <sup>2</sup>	1
	1 (Enabled) <sup>1</sup>	1
PWR_DWN#	1 (Normal Operation) <sup>3</sup>	3mS
	0 (Power Down) <sup>4</sup>	2max

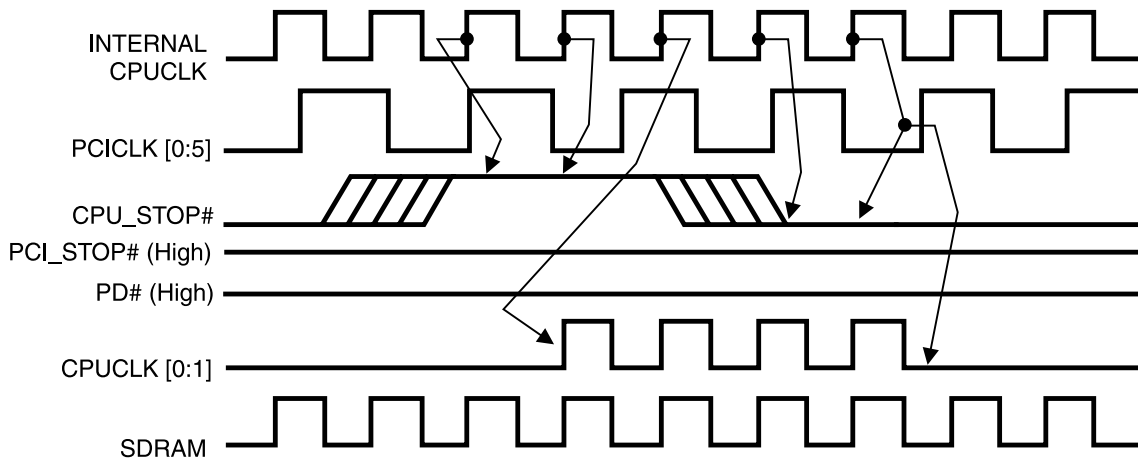
#### Notes.

1. Clock on latency is defined from when the clock enable goes active to when the first valid clock comes out of the device.
2. Clock off latency is defined from when the clock enable goes inactive to when the last clock is driven low out of the device.
3. Power up latency is when PD# goes inactive (high) to when the first valid clocks are output by the device.
4. Power down has controlled clock counts applicable to CPUCLK, SDRAM, PCICLK only.  
The REF will be stopped independent of these.



### CPU\_STOP# Timing Diagram

CPUSTOP# is an asynchronous input to the clock synthesizer. It is used to turn off the CPUCLKs for low power operation. CPU\_STOP# is synchronized by the ICS9248-92. The minimum that the CPUCLK is enabled (CPU\_STOP# high pulse) is 100 CPUCLKs. All other clocks will continue to run while the CPUCLKs are disabled. The CPUCLKs will always be stopped in a low state and start in such a manner that guarantees the high pulse width is a full pulse. CPUCLK on latency is less than 4 CPUCLKs and CPUCLK off latency is less than 4 CPUCLKs.



**Notes:**

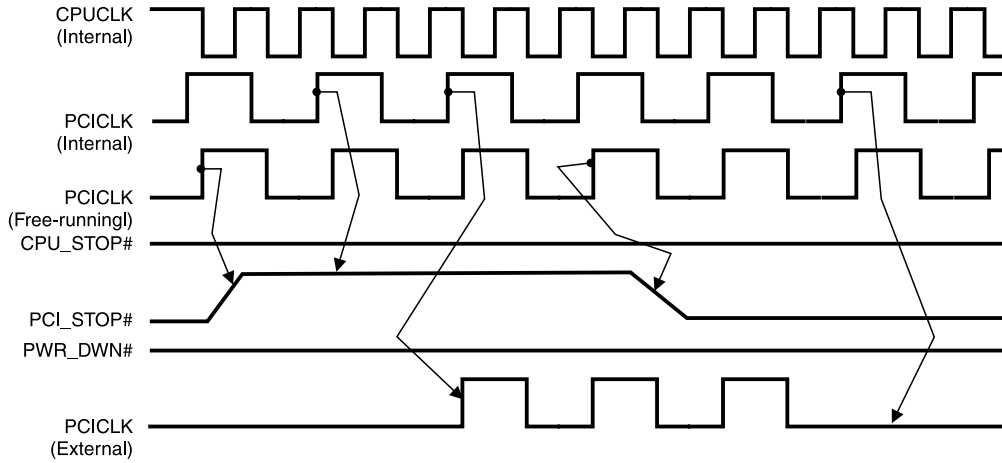
- 1. All timing is referenced to the internal CPUCLK.
- 2. CPU\_STOP# is an asynchronous input and metastable conditions may exist. This signal is synchronized to the CPUCLKs inside the ICS9248-92.
- 3. All other clocks continue to run undisturbed.
- 4. PD# and PCI\_STOP# are shown in a high (true) state.

### PCI\_STOP# Timing Diagram

PCI\_STOP# is an asynchronous input to the ICS9248-92. It is used to turn off the PCICLK (0:5) clocks for low power operation. PCI\_STOP# is synchronized by the ICS9248-92 internally. The minimum that the PCICLK (0:5) clocks are enabled (PCI\_STOP# high pulse) is at least 10 PCICLK (0:5) clocks. PCICLK (0:5) clocks are stopped in a low state and started with a full high pulse width guaranteed. PCICLK (0:5) clock on latency cycles are only one rising PCICLK clock off latency is one PCICLK clock.

(Drawing shown on next page.)



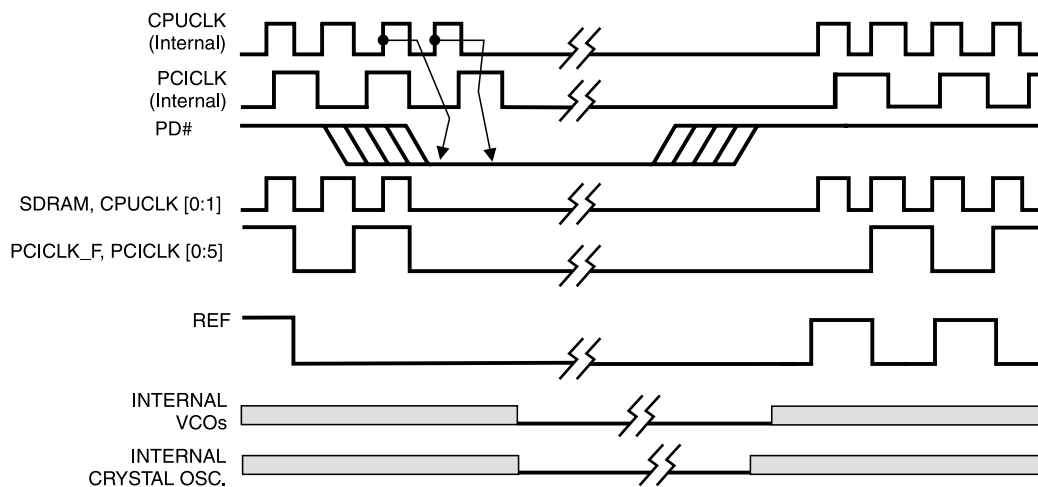


**Notes:**

- 1. All timing is referenced to the Internal CPUCLK (defined as inside the ICS9248 device.)
- 2. PCI\_STOP# is an asynchronous input, and metastable conditions may exist. This signal is required to be synchronized inside the ICS9248.
- 3. All other clocks continue to run undisturbed.
- 4. PD# and CPU\_STOP# are shown in a high (true) state.

## PD# Timing Diagram

The power down selection is used to put the part into a very low power state without turning off the power to the part. PD# is an asynchronous active low input. This signal is synchronized internal by the ICS9248-92 prior to its control action of powering down the clock synthesizer. Internal clocks will not be running after the device is put in power down state. When PD# is active (low) all clocks are driven to a low state and held prior to turning off the VCOs and the Crystal oscillator. The power on latency is guaranteed to be less than 3mS. The power down latency is less than three CPUCLK cycles. PCI\_STOP# and CPU\_STOP# are don't care signals during the power down operations.



**Notes:**

- 1. All timing is referenced to the Internal CPUCLK (defined as inside the ICS9248 device.)
- 2. PD# is an asynchronous input and metastable conditions may exist. This signal is synchronized inside the ICS9248.
- 3. The shaded sections on the VCO and the Crystal signals indicate an active clock is being generated.



### Absolute Maximum Ratings

- Supply Voltage ..... 5.5 V
- Logic Inputs ..... GND-0.5 V to V<sub>DD</sub>+0.5 V
- Ambient Operating Temperature ..... 0°C to +70°C
- Case Temperature ..... 115°C
- Storage Temperature ..... -65°C to +150°C

Stresses above those listed under *Absolute Maximum Ratings* may cause permanent damage to the device. These ratings are stress specifications only and functional operation of the device at these or any other conditions above those listed in the operational sections of the specifications is not implied. Exposure to absolute maximum rating conditions for extended periods may affect product reliability.

### Electrical Characteristics - Input/Supply/Common Output Parameters

T<sub>A</sub> = 0 - 70C; Supply Voltage V<sub>DD</sub> = 3.3 V +/-5% V<sub>DDL</sub> = 2.5V +/-5% (unless otherwise stated)

PARAMETER	SYMBOL	CONDITIONS	MIN	TYP	MAX	UNITS
Input High Voltage	V <sub>IH</sub>		2		V <sub>DD</sub> +0.3	V
Input Low Voltage	V <sub>IL</sub>		V <sub>SS</sub> -0.3		0.8	V
Supply Current	I <sub>DD</sub>	C <sub>L</sub> = 0 pF; Select @ 66M		77	180	mA
	I <sub>DDL2.5</sub>			2.8	25	mA
Input frequency	F <sub>i</sub>	V <sub>DD</sub> = 3.3 V;		14.318		MHz
Input Capacitance <sup>1</sup>	C <sub>IN</sub>	Logic Inputs			5	pF
	C <sub>INX</sub>	X1 & X2 pins	27	36	45	ps
Transition Time <sup>1</sup>	T <sub>trans</sub>	To 1st crossing of target Freq.		1.5	3	ms
Clk Stabilization <sup>1</sup>	T <sub>STAB</sub>	From V <sub>DD</sub> = 3.3 V to 1% target Freq.			3	ms
Skew <sup>1</sup>	T <sub>CPU-PCI</sub>	V <sub>TPCI</sub> = 1.5 V; V <sub>TCPU</sub> = 1.25 V	1.5	2.2	4.0	ns

<sup>1</sup>Guarenteed by design, not 100% tested in production.



**Electrical Characteristics - CPUCLK**

$T_A = 0 - 70^\circ C$ ;  $V_{DD} = 3.3 V \pm 5\%$ ,  $V_{DDL} = 2.5 V \pm 5\%$ ;  $C_L = 20 pF$  (unless otherwise stated)

PARAMETER	SYMBOL	CONDITIONS	MIN	TYP	MAX	UNITS
Period	period(norm)	$V_T = 1.25 V$ ; 100MHz	10	10	10.5	ns
Output High Voltage	$V_{OH2B}$	$I_{OH} = -12.0 mA$	1.8	2.3		V
Output Low Voltage	$V_{OL2B}$	$I_{OL} = 12 mA$		0.31	0.4	V
Output High Current	$I_{OH2B}$	$V_{OH} = 1.7 V$			-27	mA
Output Low Current	$I_{OL2B}$	$V_{OL} = 0.7 V$	27			mA
Rise Time	$t_{r2B}^1$	$V_{OL} = 0.4 V$ , $V_{OH} = 2.0 V$			1.6	ns
Fall Time	$t_{f2B}^1$	$V_{OH} = 2.0 V$ , $V_{OL} = 0.4 V$		1	1.6	ns
Duty Cycle	$d_{t2B}^1$	$V_T = 1.25 V$	45	50	55	%
Skew	$t_{sk2B}^1$	$V_T = 1.25 V$		30	95	ps
Jitter	$t_{cyc-cyc}^1$	$V_T = 1.25 V$		186	250	ps

<sup>1</sup>Guaranteed by design, not 100% tested in production.

**Electrical Characteristics - REF, 48MHz,24MHz**

$T_A = 0 - 70^\circ C$ ;  $V_{DD} = 3.3 V \pm 5\%$ ,  $V_{DDL} = 2.5 V \pm 5\%$ ;  $C_L = 20 pF$  (unless otherwise stated)

PARAMETER	SYMBOL	CONDITIONS	MIN	TYP	MAX	UNITS
Output High Voltage	$V_{OH5}$	$I_{OH} = -14 mA$	2	3.21		V
Output Low Voltage	$V_{OL5}$	$I_{OL} = 6.0 mA$		0.21	0.4	V
Output High Current	$I_{OH5}$	$V_{OH} = 2.0 V$			-23	mA
Output Low Current	$I_{OL5}$	$V_{OL} = 0.8 V$	29			mA
Rise Time <sup>1</sup>	$t_{r5}$	$V_{OL} = 0.4 V$ , $V_{OH} = 2.4 V$	1	2.5	4	ns
Fall Time <sup>1</sup>	$t_{f5}$	$V_{OH} = 2.4 V$ , $V_{OL} = 0.4 V$	1	2.5	4	ns
Duty Cycle <sup>1</sup>	$d_{t5}$	$V_T = 1.5 V$	45	52	55	%
Jitter, Absolute <sup>1</sup>	$t_{jabs5}$	$V_T = 1.5 V$ , REF		385	800	ps
Jitter, Absolute <sup>1</sup>	$t_{jabs5}$	$V_T = 1.5 V$ , 48 MHz		469	800	ps

<sup>1</sup>Guaranteed by design, not 100% tested in production.



### Electrical Characteristics - PCICLK

$T_A = 0 - 70^\circ\text{C}$ ;  $V_{DD} = 3.3\text{ V} \pm 5\%$ ,  $V_{DDL} = 2.5\text{ V} \pm 5\%$ ;  $C_L = 30\text{ pF}$  (unless otherwise stated)

PARAMETER	SYMBOL	CONDITIONS	MIN	TYP	MAX	UNITS
Output High Voltage	$V_{OH1}$	$I_{OH} = -18\text{ mA}$	2.1	3.3		V
Output Low Voltage	$V_{OL1}$	$I_{OL} = 9.4\text{ mA}$		0.17	0.4	V
Output High Current	$I_{OH1}$	$V_{OH} = 2.0\text{ V}$			-24	mA
Output Low Current	$I_{OL1}$	$V_{OL} = 0.8\text{ V}$	30			mA
Rise Time <sup>1</sup>	$t_{r1}$	$V_{OL} = 0.4\text{ V}$ , $V_{OH} = 2.4\text{ V}$	0.5	1.6	2	ns
Fall Time <sup>1</sup>	$t_{f1}$	$V_{OH} = 2.4\text{ V}$ , $V_{OL} = 0.4\text{ V}$	0.5	1.8	2	ns
Duty Cycle <sup>1</sup>	$d_{t1}$	$V_T = 1.5\text{ V}$	45	50	55	%
Skew <sup>1</sup>	$t_{sk1}$	$V_T = 1.5\text{ V}$		222	500	ps
Jitter, Absolute <sup>1</sup>	$t_{jabs1}$	$V_T = 1.5\text{ V}$	-250		250	ps
Jitter, Cycle-to-cycle <sup>1</sup>	$t_{jeyc-eyc1}$	$V_T = 1.5\text{ V}$		227	500	ps

<sup>1</sup>Guaranteed by design, not 100% tested in production.

### Electrical Characteristics - SDRAM

$T_A = 0 - 70^\circ\text{C}$ ;  $V_{DD} = 3.3\text{ V} \pm 5\%$ ,  $V_{DDL} = 2.5\text{ V} \pm 5\%$ ;  $C_L = 30\text{ pF}$  (unless otherwise stated)

PARAMETER	SYMBOL	CONDITIONS	MIN	TYP	MAX	UNITS
Output High Voltage	$V_{OH1}$	$I_{OH} = -28\text{ mA}$	2.2	3.18		V
Output Low Voltage	$V_{OL1}$	$I_{OL} = 19\text{ mA}$		0.35	0.4	V
Output High Current	$I_{OH1}$	$V_{OH} = 2.0\text{ V}$		-74	-46	mA
Output Low Current	$I_{OL1}$	$V_{OL} = 0.8\text{ V}$	54			mA
Rise Time <sup>1</sup>	$t_{r1}$	$V_{OL} = 0.8\text{ V}$ , $V_{OH} = 2.4\text{ V}$	0.5	1.54	1.6	ns
Fall Time <sup>1</sup>	$t_{f1}$	$V_{OH} = 2.4\text{ V}$ , $V_{OL} = 0.4\text{ V}$	0.5	1.51	1.6	ns
Duty Cycle <sup>1</sup>	$d_{t1}$	$V_T = 1.5\text{ V}$	45	51	55	%
Skew <sup>1</sup>	$t_{sk1}$	$V_T = 1.5\text{ V}$		200	250	ps
Propagation Delay <sup>1</sup>	$t_{p1}$	$V_T = 1.5\text{ V}$	1	3.5	5	ns

<sup>1</sup>Guaranteed by design, not 100% tested in production.



**General Layout Precautions:**

- 1) Use a ground plane on the top routing layer of the PCB in all areas not used by traces.
- 2) Make all power traces and ground traces as wide as the via pad for lower inductance.

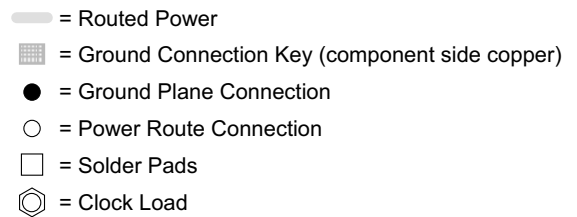
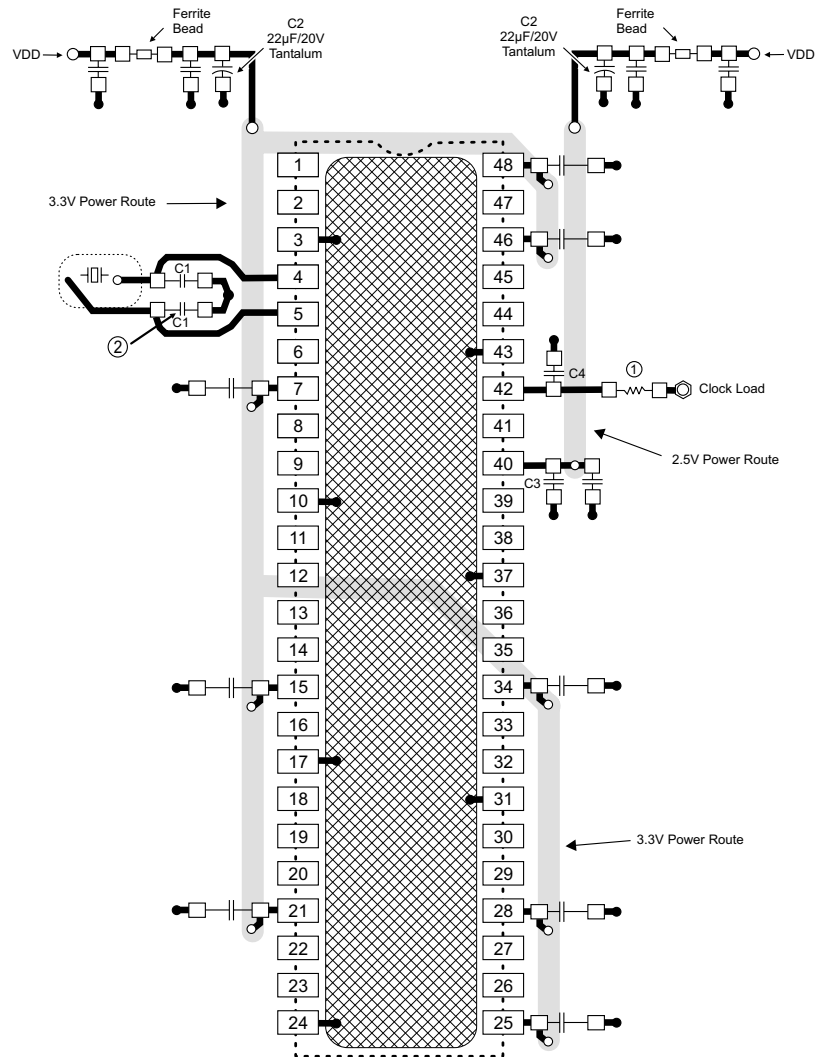
**Notes:**

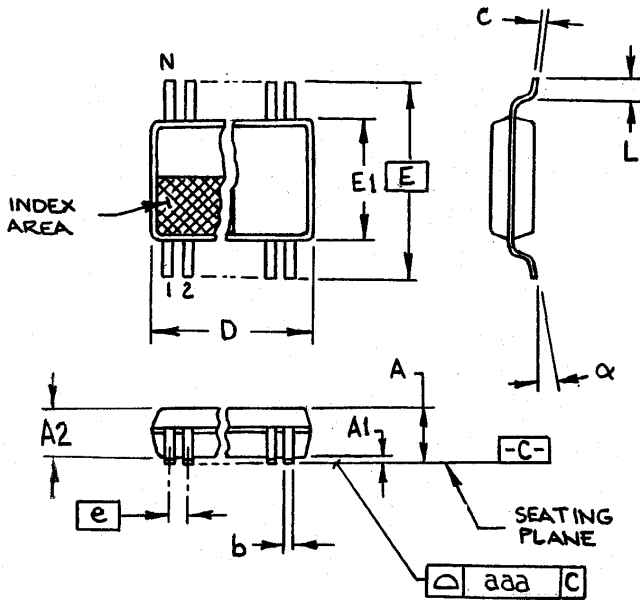
- ① All clock outputs should have provisions for a 15pf capacitor between the clock output and series terminating resistor. Not shown in all places to improve readability of diagram.
- ② Optional crystal load capacitors are recommended. They should be included in the layout but not inserted unless needed.

**Component Values:**

- C1 : Crystal load values determined by user
- C2 : 22µF/20V/D case/Tantalum  
AVX TAJD226M020R
- C3 : 15pF capacitor
- FB = Fair-Rite products 2512066017X1
- All unmarked capacitors are 0.01µF ceramic

**Connections to VDD:**





6.10 mm. Body, 0.50 mm. pitch TSSOP  
(240 mil) (0.020 mil)

SYMBOL	In Millimeters		In Inches	
	COMMON DIMENSIONS		COMMON DIMENSIONS	
	MIN	MAX	MIN	MAX
A	-	1.20	-	.047
A1	0.05	0.15	.002	.006
A2	0.80	1.05	.032	.041
b	0.17	0.27	.007	.011
c	0.09	0.20	.0035	.008
D	SEE VARIATIONS		SEE VARIATIONS	
E	8.10 BASIC		0.319	
E1	6.00	6.20	.236	.244
e	0.50 BASIC		0.020 BASIC	
L	0.45	0.75	.018	.30
N	SEE VARIATIONS		SEE VARIATIONS	
$\alpha$	0°	8°	0°	8°
aaa	-	0.10	-	.004

VARIATIONS

N	D mm.		D (inch)	
	MIN	MAX	MIN	MAX
48	12.40	12.60	.488	.496

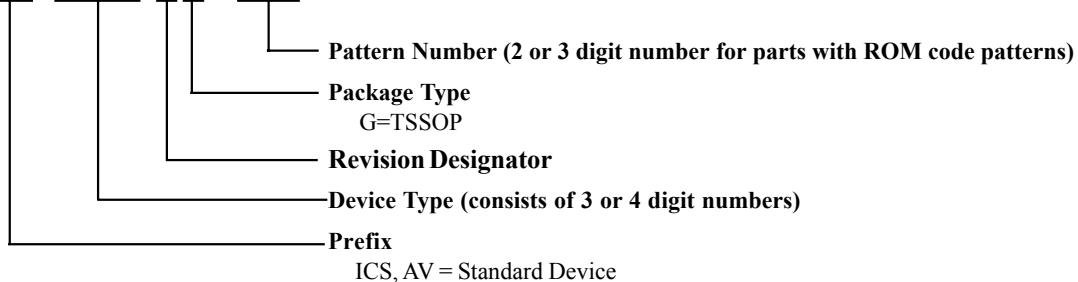
MO-153 JEDEC 7/8/00 Rev B  
Doc.# 10-0039

Ordering Information

ICS9248yG-92

Example:

ICS XXXX y G - PPP



ICS reserves the right to make changes in the device data identified in this publication without further notice. ICS advises its customers to obtain the latest version of all device data to verify that any information being relied upon by the customer is current and accurate.