



WR-15 Waveguide Standard Gain Horn Antenna
 Operating from 50 GHz to 75 GHz with a Nominal
 24 dBi Gain with UG-385/U Round Cover Flange

Gain Horns Technical Data Sheet

PE9881-24

Features

- Rectangular Waveguide Interface
- 50 GHz to 75 GHz
- 24 dBi Nominal Gain
- UG-385/U Round Cover Flange

Applications

- Antenna Measurements
- Wireless Communication
- Laboratory Use
- Microwave Radio Systems

Description

Waveguide standard gain horn antennas are used in a wide variety of applications due to their high power handling capability, low loss, high directivity, and near constant electrical performance across a broad bandwidth. Pasternack's PE9881-24 WR-15 waveguide standard gain horn antenna operating from 50 GHz to 75 GHz with a nominal 24 dBi gain is part of our full line of RF components available for same-day shipping. This Pasternack pyramidal horn antenna has a gold plated brass body and a precision tolerance UG-385/U round cover flange. The PE9881-24 WR-15 waveguide standard gain horn antenna offers low gain variation across its operating frequency range and 11 degrees of half power beam width.

Configuration

Design: WR-15 Standard Gain Horn
 Pattern: Directional
 Polarization: Linear

Electrical Specifications

Description	Minimum	Typical	Maximum	Units
Frequency Range	50		75	GHz
Nominal Gain		24		dBi
Horizontal Half Power Beam Width		11		Degrees
Vertical Half Power Beam Width		9.5		Degrees
VSWR		1.15:1		

Mechanical Specifications

Size

Length: 2.74 in [69.6 mm]
 Width: 1.52 in [38.61 mm]
 Height: 1.16 in [29.46 mm]
 Weight: 0.127 lbs [57.61 g]

Waveguide Interface

Waveguide Size: WR-15
 Flange Type: Round Cover
 Flange Designation: UG-385/U

Click the following link (or enter part number in "SEARCH" on website) to obtain additional part information including price, inventory and certifications: [WR-15 Waveguide Standard Gain Horn Antenna Operating from 50 GHz to 75 GHz with a Nominal 24 dBi Gain with UG-385/U Round Cover Flange PE9881-24](#)



WR-15 Waveguide Standard Gain Horn Antenna
Operating from 50 GHz to 75 GHz with a Nominal
24 dBi Gain with UG-385/U Round Cover Flange

Gain Horns Technical Data Sheet

PE9881-24

Body Material and Plating

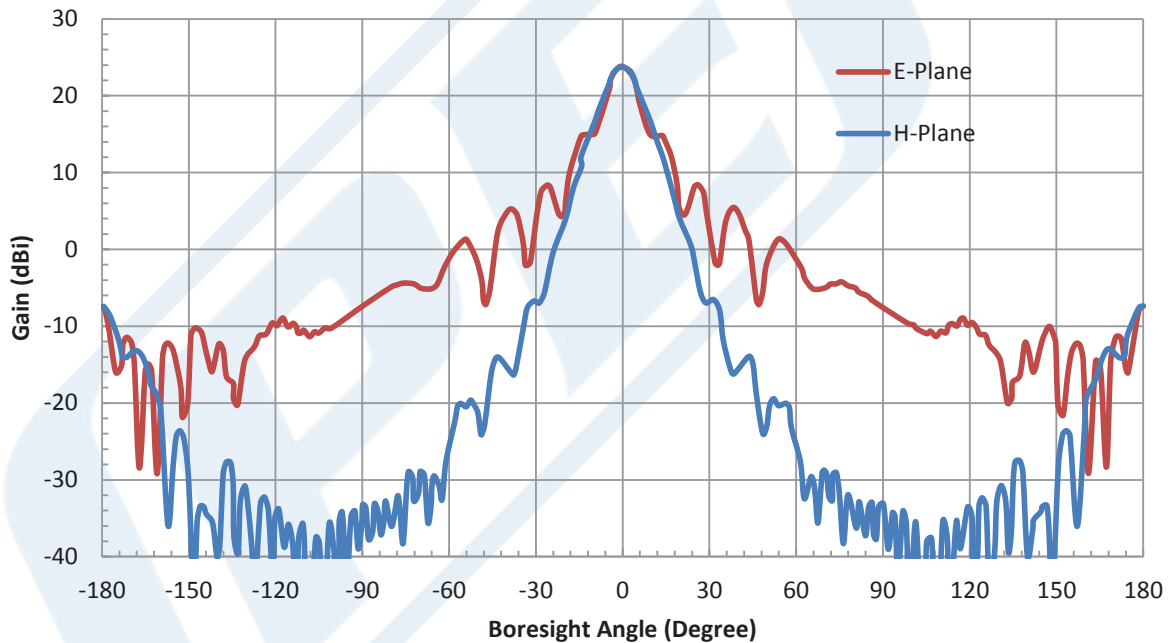
Brass, Gold

Compliance Certifications (see [product page](#) for current document)

Plotted and Other Data

Typical Performance Data

Antenna Patterns @ 62.5 GHz



Click the following link (or enter part number in "SEARCH" on website) to obtain additional part information including price, inventory and certifications: [WR-15 Waveguide Standard Gain Horn Antenna Operating from 50 GHz to 75 GHz with a Nominal 24 dBi Gain with UG-385/U Round Cover Flange PE9881-24](#)

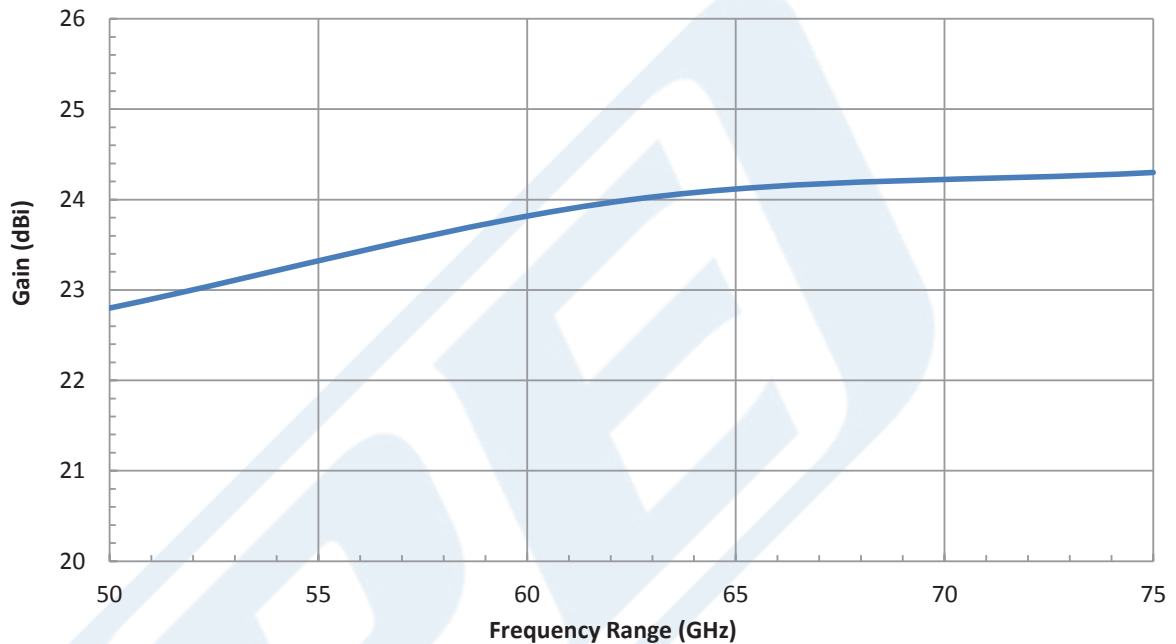


WR-15 Waveguide Standard Gain Horn Antenna
Operating from 50 GHz to 75 GHz with a Nominal
24 dBi Gain with UG-385/U Round Cover Flange

Gain Horns Technical Data Sheet

PE9881-24

Gain vs. Frequency



WR-15 Waveguide Standard Gain Horn Antenna Operating from 50 GHz to 75 GHz with a Nominal 24 dBi Gain with UG-385/U Round Cover Flange from Pasternack Enterprises has same day shipment for domestic and International orders. Our RF, microwave and millimeter wave products maintain a 99.4% availability and are part of the broadest selection in the industry.

Click the following link (or enter part number in "SEARCH" on website) to obtain additional part information including price, inventory and certifications: [WR-15 Waveguide Standard Gain Horn Antenna Operating from 50 GHz to 75 GHz with a Nominal 24 dBi Gain with UG-385/U Round Cover Flange PE9881-24](https://www.pasternack.com/single-antenna-operates-from-50-75-ghz-with-a-nominal-dbi-gain-wr-15-input-connectors-pe9881-24-p.aspx)

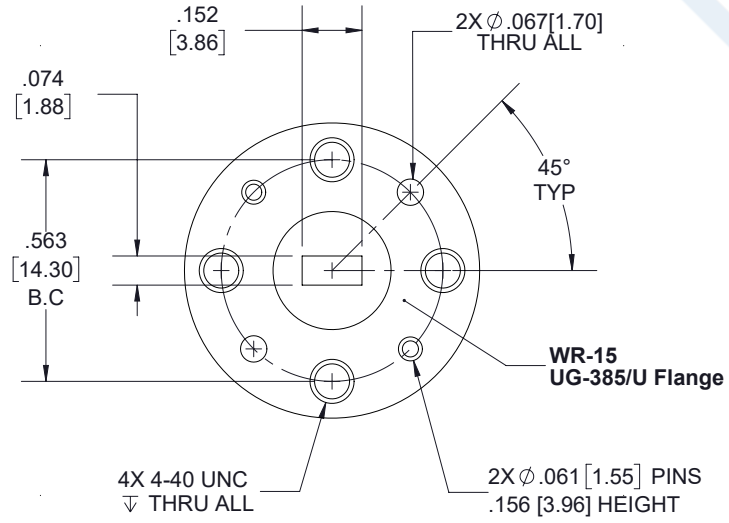
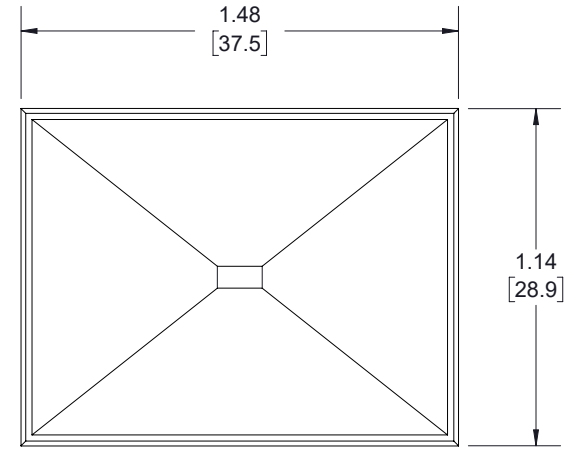
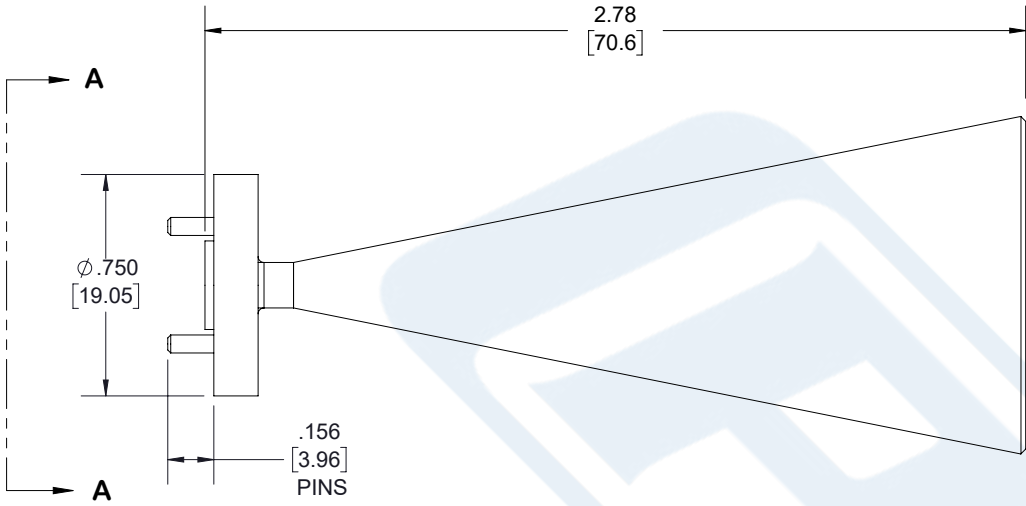
URL: <https://www.pasternack.com/single-antenna-operates-from-50-75-ghz-with-a-nominal-dbi-gain-wr-15-input-connectors-pe9881-24-p.aspx>

The information contained in this document is accurate to the best of our knowledge and representative of the part described herein. It may be necessary to make modifications to the part and/or the documentation of the part, in order to implement improvements. Pasternack reserves the right to make such changes as required. Unless otherwise stated, all specifications are nominal. Pasternack does not make any representation or warranty regarding the suitability of the part described herein for any particular purpose, and Pasternack does not assume any liability arising out of the use of any part or documentation.

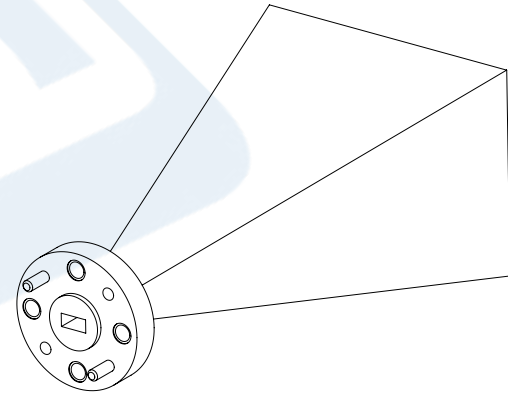
PE9881-24 CAD Drawing

WR-15 Waveguide Standard Gain Horn Antenna Operating from 50 GHz to 75 GHz with a Nominal 24 dBi Gain with UG-385/U Round Cover Flange

REVISIONS			
REV.	DESCRIPTION	DATE	APPROVED
1.4	PCR PE9881-24 20190408	04/08/19	J.GARCIA



VIEW A-A



UNLESS OTHERWISE SPECIFIED LEADING DIMENSIONS ARE INCHES DIMENSIONS IN [] ARE MILLIMETERS

TOLERANCES:

.X±.2 [5.08]	FRACTIONS ± 1/32
.XX±.01 [.25]	ANGLES ± 1°
.XXX±.005 [.13]	

ALL DIMENSIONS SHOWN ARE FOR REFERENCE ONLY.

THIRD-ANGLE PROJECTION

PE PASTERNAK
an INFINIT® brand

Pasternack Enterprises, Inc.
P.O.Box 16759, Irvine, CA 92623.
Phone: 1.949.261.1920 | 1.866.727.8376
Fax: 1.949.261.7451
www.pasternack.com | e-mail: sales@pasternack.com

SIZE	CAGE	DRAWN BY	PART NUMBER
A	53919	K.DANG	PE9881-24

THE INFORMATION AND DESIGN IN THIS DOCUMENT IS THE PROPERTY OF PASTERNAK CORPORATION. ALL RIGHTS RESERVED.

SHEET 1 OF 1

SCALE N/A

REV	1.4
-----	-----

THESE COMMODITIES, TECHNOLOGY OR SOFTWARE WERE EXPORTED FROM THE UNITED STATES IN ACCORDANCE WITH THE EXPORT ADMINISTRATION REGULATIONS. DIVERSION CONTRARY TO U.S. LAW PROHIBITED.