

Silicon NPN Power Transistors

2SC2331

DESCRIPTION

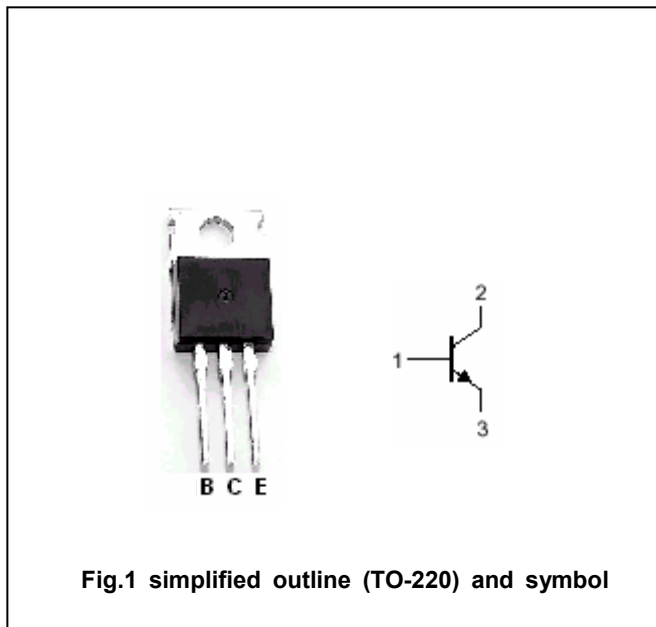
- With TO-220 package
- Complement to type 2SA1008
- Low collector saturation voltage
- Fast switching speed

APPLICATIONS

- Switching regulators
- DC-DC converters
- High frequency power amplifiers

PINNING

PIN	DESCRIPTION
1	Base
2	Collector;connected to mounting base
3	Emitter



Absolute maximum ratings(Ta=25°C)

SYMBOL	PARAMETER	CONDITIONS	VALUE	UNIT
V _{CBO}	Collector-base voltage	Open emitter	100	V
V _{CEO}	Collector-emitter voltage	Open base	100	V
V _{EBO}	Emitter-base voltage	Open collector	7	V
I _C	Collector current		2.0	A
I _{CM}	Collector current-Peak		4.0	A
I _B	Base current		1.0	A
P _T	Total power dissipation	T _a =25°C	1.5	W
		T _C =25°C	15	
T _j	Junction temperature		150	°C
T _{stg}	Storage temperature		-55~150	°C

Silicon NPN Power Transistors

2SC2331

CHARACTERISTICS

T_j=25°C unless otherwise specified

SYMBOL	PARAMETER	CONDITIONS	MIN	TYP.	MAX	UNIT
V _{CEQ(SUS)}	Collector-emitter sustaining voltage	I _C =1.0A, I _B =0.1A, L=1mH	100			V
V _{CEsat}	Collector-emitter saturation voltage	I _C =1A; I _B =0.1A			0.6	V
V _{BEsat}	Base-emitter saturation voltage	I _C =1A; I _B =0.1A			1.5	V
I _{CBO}	Collector cut-off current	V _{CB} =100V; I _E =0			10	μA
I _{EBO}	Emitter cut-off current	V _{EB} =5V; I _C =0			10	μA
h _{FE-1}	DC current gain	I _C =0.1A; V _{CE} =5V	40			
h _{FE-2}	DC current gain	I _C =1A; V _{CE} =5V	40		200	

Switching times resistive load

t _{on}	Turn-on time	I _C =1.0A I _{B1} =- I _{B2} =0.1A R _L =50Ω; V _{CC} ≈50V			0.5	μs
t _s	Storage time				1.5	μs
t _f	Fall time				0.5	μs

◆ h_{FE-2} Classifications

M	L	K
40-80	60-120	100-200

Silicon NPN Power Transistors

2SC2331

PACKAGE OUTLINE

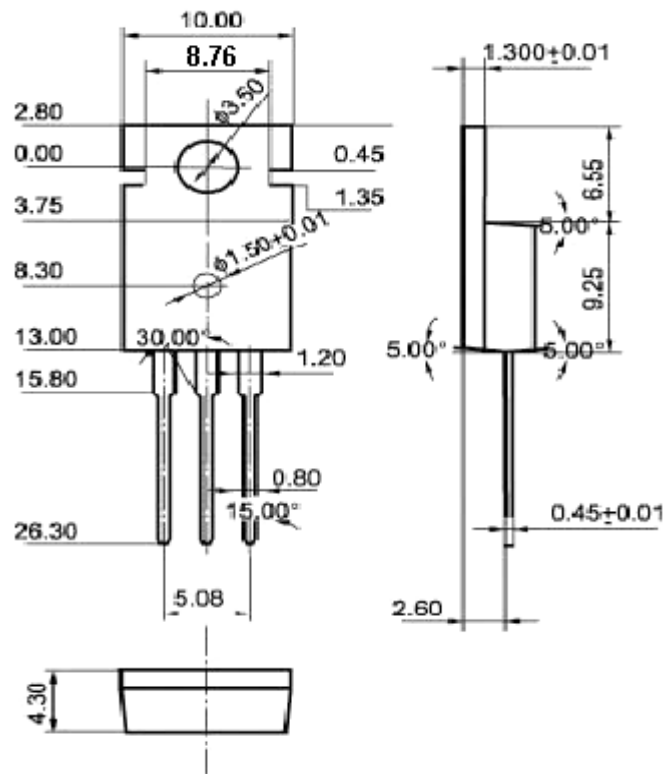


Fig.2 Outline dimensions(unindicated tolerance:±0.10 mm)