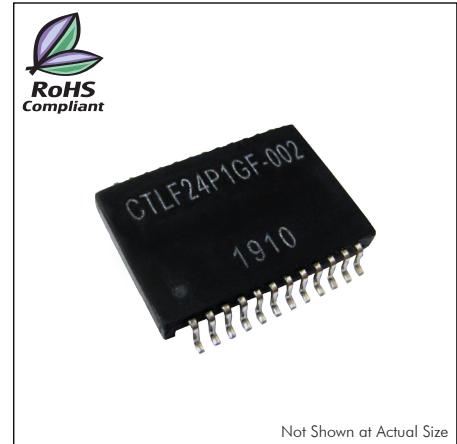


CTLF24P1GF Series



CHARACTERISTICS

Description: 10/100/1000 Base-T, PC card LAN magnetic modules, 24Pin PCMCIA

Operating Temperature: 0°C to 70°C

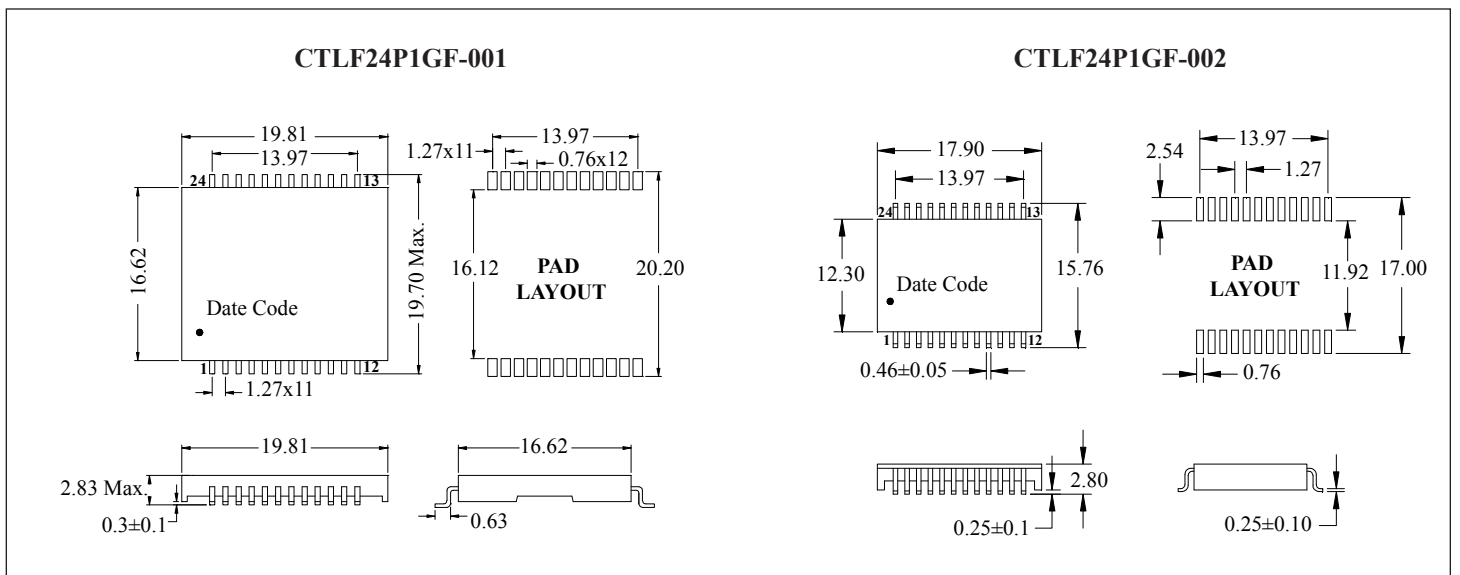
Features:

- Designed for long haul Gigabit Ethernet 100/1000 Base-T, full duplex applications
- Supports 4 pairs of category 5 UTP cable
- Cable interface for isolation and low common mode emissions
- Meets all IEEE 802.3 and ANSI X3.236 standards including 350µH OCL with 8mA bias

SPECIFICATIONS

Part Number	Insertion Loss (dB Max.)	Return Loss (dB Min @ 100Ω)					Differential to Common Mode (dB Min.)			Cross Talk (dB Min.)			Hipot (Vrms Min.)
		1-100 MHz	1-30 MHz	40 MHz	50 MHz	60-80 MHz	100 MHz	30 MHz	60 MHz	100 MHz	30 MHz	60 MHz	
CTLF24P1GF-001	-1.0	-18	-14.4	-13.1	-12	-10	-43	-37	-33	-45	-40	-35	1500
CTLF24P1GF-002	-1.0	-18	-14.4	-13.1	-12	-10	-43	-37	-33	-45	-40	-35	1500

PHYSICAL DIMENSIONS & PAD LAYOUT



CTLF24P1GF

SCHEMATICS

CTLF24P1GF-001 & CTLF24P1GF-002

