

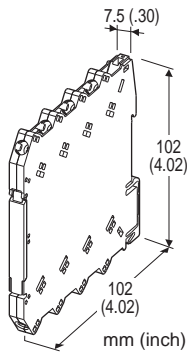
## Remote I/O R6 Series

### DC CURRENT INPUT MODULE

(2 points, Screw terminal)

#### Functions & Features

- 2 channels for DC current input, compact size remote I/O module
- Isolation between channels
- Input range adjustment with DIP switch or PC configurator



### MODEL: R6N-SS2[1]

#### ORDERING INFORMATION

- Code number: R6N-SS2[1]

Specify a code from below for [1].

- (e.g. R6N-SS2/Q)
- Specify the specification for option code /Q (e.g. /C01)

#### [1] OPTIONS

blank: none

/Q: With options (specify the specification)

#### SPECIFICATIONS OF OPTION: Q

**COATING (For the detail, refer to M-System's web site.)**

/C01: Silicone coating

/C02: Polyurethane coating

#### RELATED PRODUCTS

- PC configurator software (model: R6CON)

Downloadable at M-System's web site.

A dedicated cable is required to connect the module to the PC. Please refer to the internet software download site or the users manual for the PC configurator for applicable cable types.

#### GENERAL SPECIFICATIONS

##### Connection

**Internal bus:** Via the Installation Base (model: R6N-BS)

**Input:** M3 screw terminals (torque 0.5 N·m)

**Internal power:** Via the Installation Base (model: R6N-BS)

**Recommended solderless terminal:** Max. 5.8 mm (0.23") wide; Ones with insulation sleeve do not fit.

Applicable wire size: 0.2 - 2.5 mm<sup>2</sup>

**Housing material:** Flame-resistant resin (black)

**Isolation:** Input 1 to input 2 to internal bus or internal power

**Zero adjustments:** PC programming

**Span adjustments:** PC programming

**Input range:** Selectable with the side DIP SW or PC programming

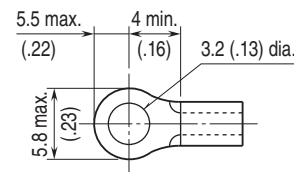
**Module address:** Selectable with DIP and rotary switches on the side

**Configuration mode:** With DIP switches on the side panel

**Power indicator:** Green LED; Refer to the instruction manual for details.

**Status indicator:** Bi-color (red/green) LED; Refer to the instruction manual for details.

■ **Recommended solderless terminal (unit: mm (inch))**



#### INPUT SPECIFICATIONS

■ **Narrow Span:** 1500 Ω input resistor incorporated

**Input range:** -1 - +1 mA, 0 - 1 mA DC

■ **Wide Span:** 24.9 Ω input resistor incorporated

**Input range:** -40 - +40 mA, -20 - +20 mA, 0 - 40 mA, 0 - 20 mA, 4 - 20 mA DC

#### INSTALLATION

**Current consumption:** 20 mA

**Operating temperature:** -10 to +55°C (14 to 131°F)

**Operating humidity:** 30 to 90 %RH (non-condensing)

**Atmosphere:** No corrosive gas or heavy dust

**Mounting:** Installation Base (model: R6N-BS)

**Weight:** 60 g (2.1 oz)

#### PERFORMANCE

**Conversion rate (PC programmable. Factory set to 80 msec.)/conversion accuracy:**

10 msec./±0.8 %

20 msec./±0.4 %

40 msec./±0.2 %

80 msec./±0.1 %

**Data range:** 0 - 10000 of the input range  
**Data allocation:** 2  
**Temp. coefficient:**  $\pm 0.01$  %/°C ( $\pm 0.006$  %/°F)  
**Response time:** Conversion rate  $\times 2 + 50$  msec. or less  
**Line voltage effect:**  $\pm 0.1$  % over voltage range  
**Insulation resistance:**  $\geq 100$  M $\Omega$  with 500 V DC  
**Dielectric strength:** 1500 V AC @ 1 minute (input 1 to input 2 to internal bus or internal power to ground)

## STANDARDS & APPROVALS

### EU conformity:

EMC Directive

EMI EN 61000-6-4

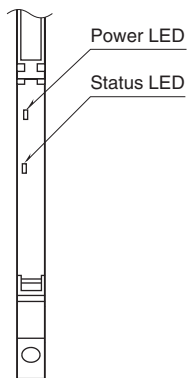
EMS EN 61000-6-2

RoHS Directive

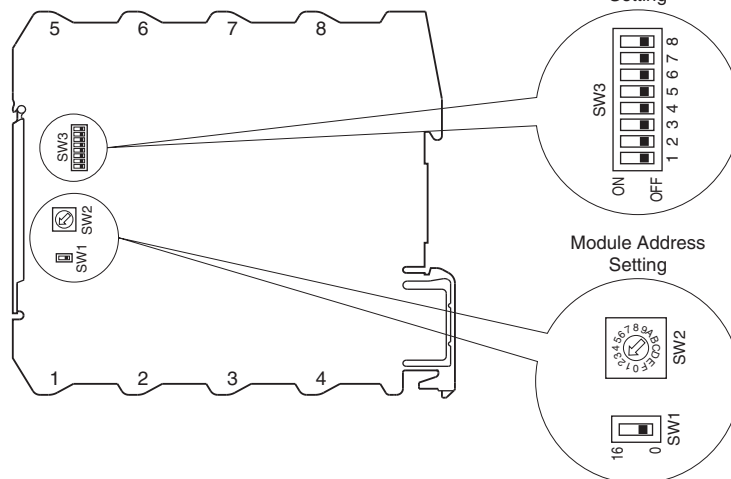
EN 50581

## EXTERNAL VIEW

### • Front View (cover opened)

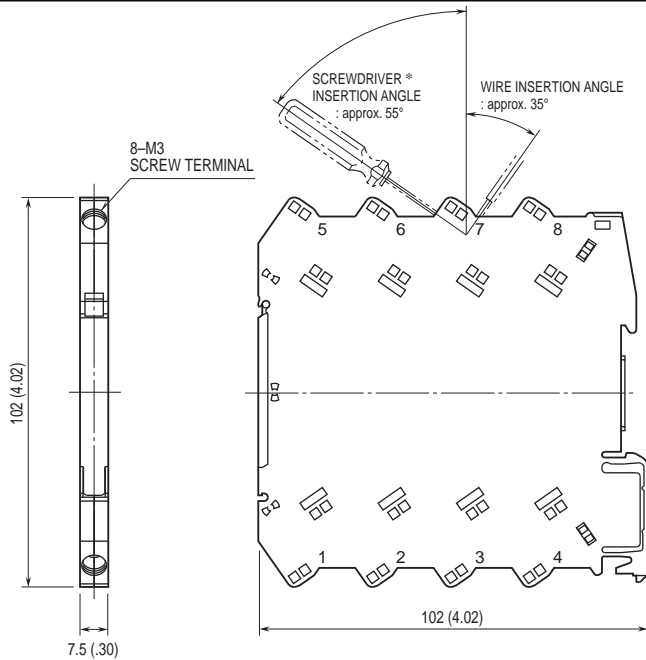


### • Side View



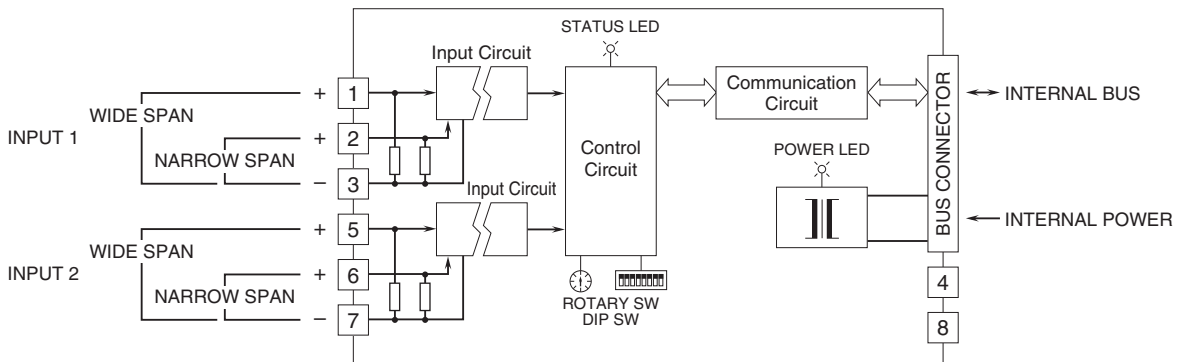
Refer to the instruction manual for setting procedures.

## EXTERNAL DIMENSIONS & TERMINAL ASSIGNMENTS unit: mm (inch)



\*Screwdriver stem diameter: 6 mm (.24") or less

## SCHEMATIC CIRCUITRY & CONNECTION DIAGRAM



Specifications are subject to change without notice.