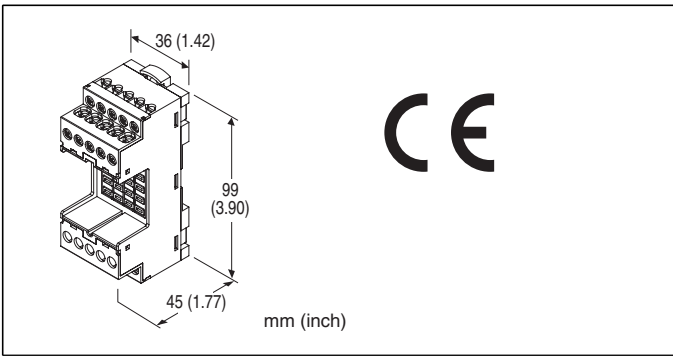


INSTALLATION BASE



MODEL: M1E-BS2[1]

ORDERING INFORMATION

- Code number: M1E-BS2[1]
Specify a code from below for [1].
(e.g. M1E-BS2/Q)
- Specify the specification for option code /Q
(e.g. /C01)

TYPE

2: For M1E-1 series / M1E-2 series / M1E-4 series

[1] OPTIONS

blank: none

/Q: With options (specify the specification)

SPECIFICATIONS OF OPTION: Q

COATING (For the detail, refer to M-System's web site.)

/C01: Silicone coating

/C02: Polyurethane coating

/C03: Rubber coating

RELATED PRODUCTS

- Multi-output super-mini signal conditioners with display M1E-1 series
- 2 channel super-mini signal conditioners with display M1E-2 series
- Multi-channel super-mini signal conditioners with display M1E-4 series

GENERAL SPECIFICATIONS

Construction: Plug-in

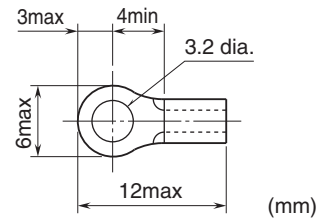
Connection: M2.6 screw terminals (torque 0.5 N·m)

- Connected to transmitter body with connector

Screw terminal: Nickel-plated steel

Housing material: Flame-resistant resin (black)

■Recommended solderless terminal size - M3 (unit: mm)



INSTALLATION

Operating temperature: -5 to +55°C (23 to 131°F)

Storage temperature: -5 to +55°C (23 to 131°F)

Operating humidity: 10 to 85 %RH (non-condensing)

Atmosphere: No corrosive gas or heavy dust

Mounting: Surface or DIN rail (35 mm rail)

Weight: Approx. 105 g (0.23 lb) without a transmitter body

PERFORMANCE

Insulation resistance: ≥ 100 MΩ with 500 V DC (between terminals)

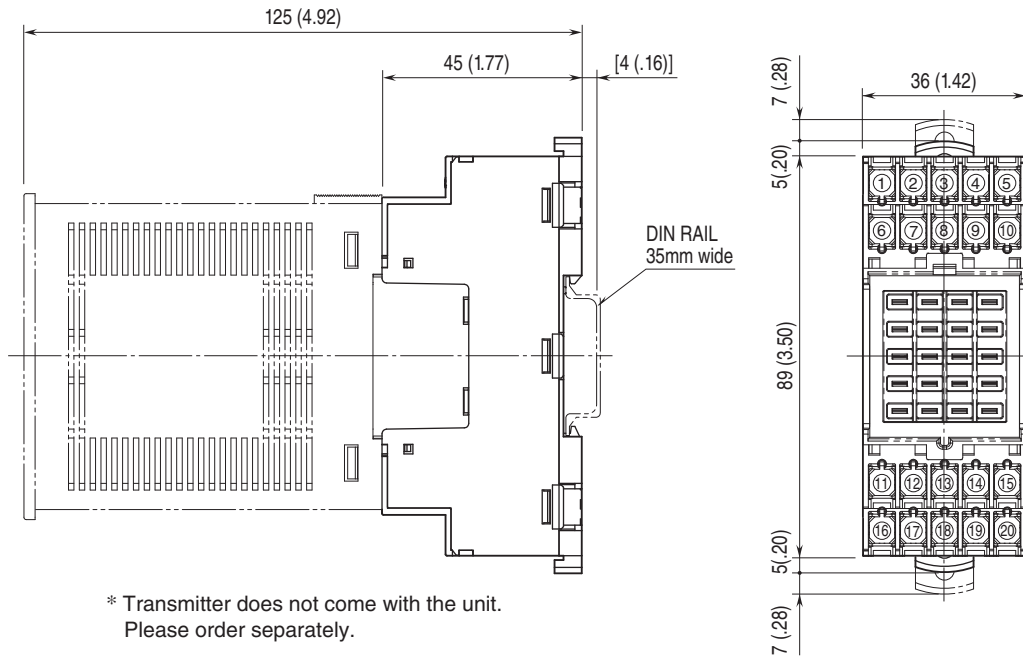
Dielectric strength: 1500 V AC @ 1 minute (between terminals)

STANDARDS & APPROVALS

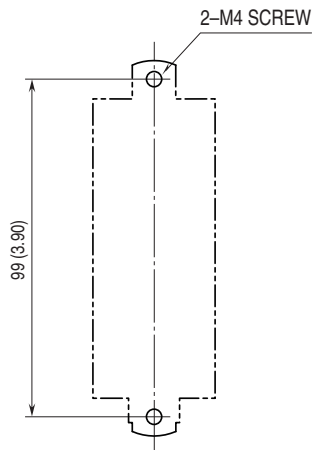
Conforming to related products

RoHS Directive

EXTERNAL DIMENSIONS & TERMINAL ASSIGNMENTS unit: mm [inch]



MOUNTING REQUIREMENTS unit: mm [inch]



Specifications are subject to change without notice.