

PLEASE CHECK WWW.MOLEX.COM FOR LATEST PART INFORMATION

Part Number: [0781271178](#)
Status: **Active**
Overview: ffc_fpc_smt
Description: 0.50mm (.020") Pitch FFC/FPC Connector, SMT, Non ZIF, Vertical, Reverse, Gold Plating, 17 Circuits, Lead Free

Documents:

[3D Model](#) [Product Specification PS-78119-001 \(PDF\)](#)
[Drawing \(PDF\)](#) [RoHS Certificate of Compliance \(PDF\)](#)

Agency Certification

CSA LR19980
 UL E29179

General

Product Family FFC/FPC Connectors
 Series [78127](#)
 Overview [ffc_fpc_smt](#)
 Product Name N/A

Physical

Circuits (Loaded) 17
 Circuits (maximum) 17
 Color - Resin Natural
 Contact Position N/A
 Durability (mating cycles max) 20
 Entry Angle Vertical
 Flammability 94V-0
 Mated Height (in) 0.161 In
 Mated Height (mm) 4.10 mm
 Material - Metal Copper Alloy
 Material - Plating Mating Gold, Nickel
 Number of Rows 1
 Orientation Vertical
 PCB Locator No
 PCB Retention None
 Packaging Type Embossed Tape on Reel
 Pitch - Mating Interface (in) 0.020 In
 Pitch - Mating Interface (mm) 0.50 mm
 Pitch - Term. Interface (in) 0.020 In
 Pitch - Term. Interface (mm) 0.50 mm
 Polarized to PCB No
 Stackable No
 Temperature Range - Operating -40°C to +85°C
 Termination Interface: Style Surface Mount
 Wire/Cable Type FFC/FPC

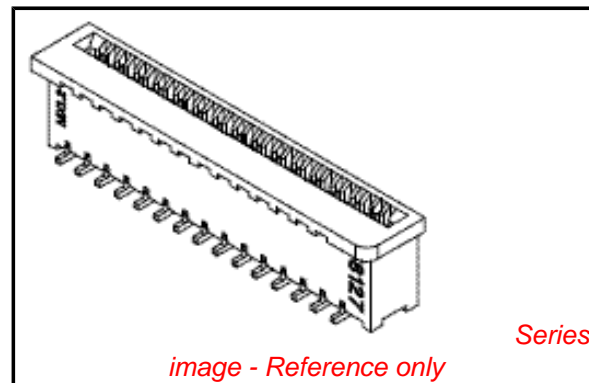
Electrical

Current - Maximum per Contact 0.5A
 Voltage - Maximum 50V AC

Material Info

Reference - Drawing Numbers

Product Specification PS-78119-001
 Sales Drawing SD-78127-001



EU RoHS

**ELV and RoHS
 Compliant**
**REACH SVHC
 Contains SVHC: No**
**Halogen-Free
 Status
 Not Reviewed**

China RoHS



**Need more information on product
 environmental compliance?**

Email productcompliance@molex.com
 For a multiple part number RoHS Certificate of
 Compliance, [click here](#)

Please visit the [Contact Us](#) section for any
 non-product compliance questions.

Search Parts in this Series

78127Series

Mates With

Standard FFC/FPC Cables

This document was generated on 06/07/2010

PLEASE CHECK WWW.MOLEX.COM FOR LATEST PART INFORMATION

10 9 8 7 6 5 4 3 2 1

F

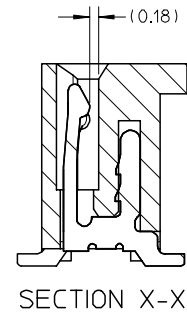
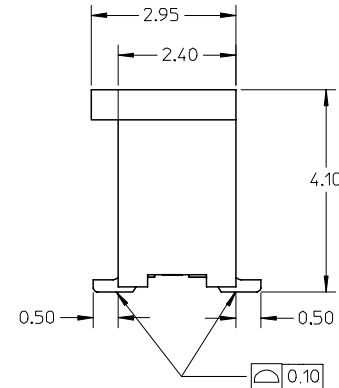
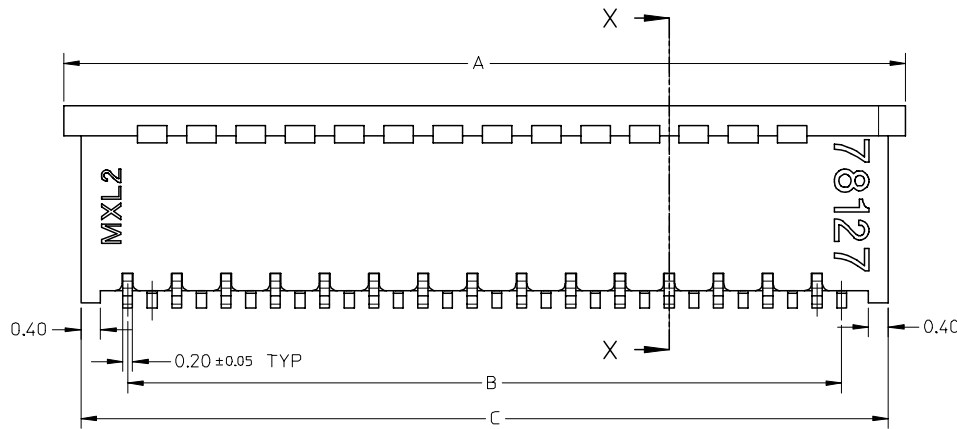
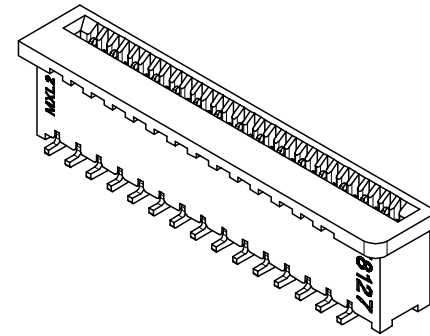
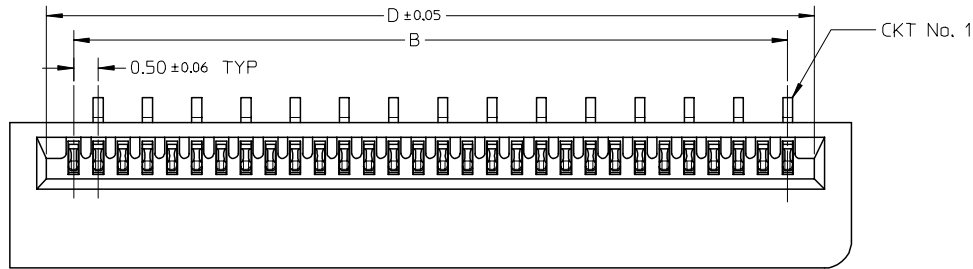
E

D

C

B

A



NOTE:

1. MATERIAL:
HOUSING: PA46 GLASS FILLED, UL94V-0, COLOR: NATURAL
TERMINAL: COPPER ALLOY
2. PLATING:
1) 0.10 μm MIN. GOLD PLATING OVER NICKEL PLATING OVERALL
2) 1-3 μm TIN-BISMUTH PLATING OVER NICKEL PLATING OVERALL
3. PRODUCT SPECIFICATION: PS-78119-001
4. PRODUCT ARE PACKED IN TAPE & REEL.

| | | | |
|---------|-------------------|------------|-------------|
| REVISED | EC NO: S2007-0721 | 2007/03/05 | DESCRIPTION |
| | DRWN: BOKOK | 2007/03/05 | |
| | CHKD: CGOH | | |
| | APPR: KCLING | 2007/03/05 | |
| A1 | REV | | |

| | |
|-----------------|-----|
| QUALITY SYMBOLS | ▽=0 |
| | ∇=0 |

| | |
|--|--------------|
| GENERAL TOLERANCES (UNLESS SPECIFIED) | |
| | mm INCH |
| 4 PLACES | ± --- ± --- |
| 3 PLACES | ± --- ± --- |
| 2 PLACES | ± 0.15 ± --- |
| 1 PLACE | ± --- ± --- |
| ANGULAR ± 3° | |
| DRAFT WHERE APPLICABLE MUST REMAIN WITHIN DIMENSIONS | |

| | | | | |
|-----------------|---|--------------------------------------|--------------|------------------------|
| DIMENSION STYLE | | SCALE | DESIGN UNITS | THIRD ANGLE PROJECTION |
| MM ONLY | | NTS | METRIC | |
| DRAWN BY | DATE | TITLE | | |
| YLQ1A0 | 2006/05/05 | 0.50MM PITCH, FPC CONN. NON-ZIF, SMT | | |
| CHECKED BY | DATE | MOLEX INCORPORATED | | |
| BOKOK | 2006/06/06 | | | |
| APPROVED BY | DATE | DOCUMENT NO. | | |
| PTL IM | 2006/06/06 | SD-78127-001 | | |
| MATERIAL NO. | | SHEET NO. | | |
| | | 1 OF 7 | | |
| SIZE | THIS DRAWING CONTAINS INFORMATION THAT IS PROPRIETARY TO MOLEX INCORPORATED AND SHOULD NOT BE USED WITHOUT WRITTEN PERMISSION | | | |
| A3 | | | | |

9 8 7 6 5 4 3 2 1

10 9 8 7 6 5 4 3 2 1

F

E

D

C

B

A

F

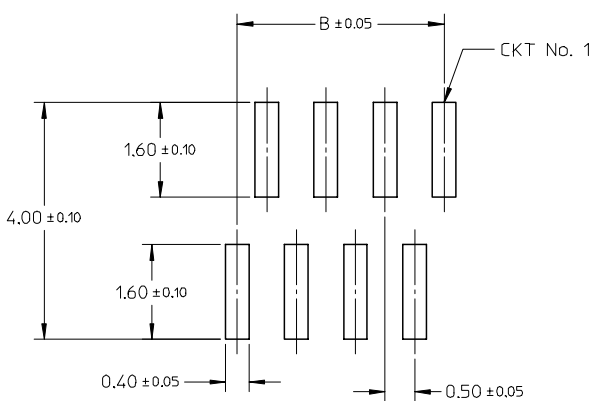
E

D

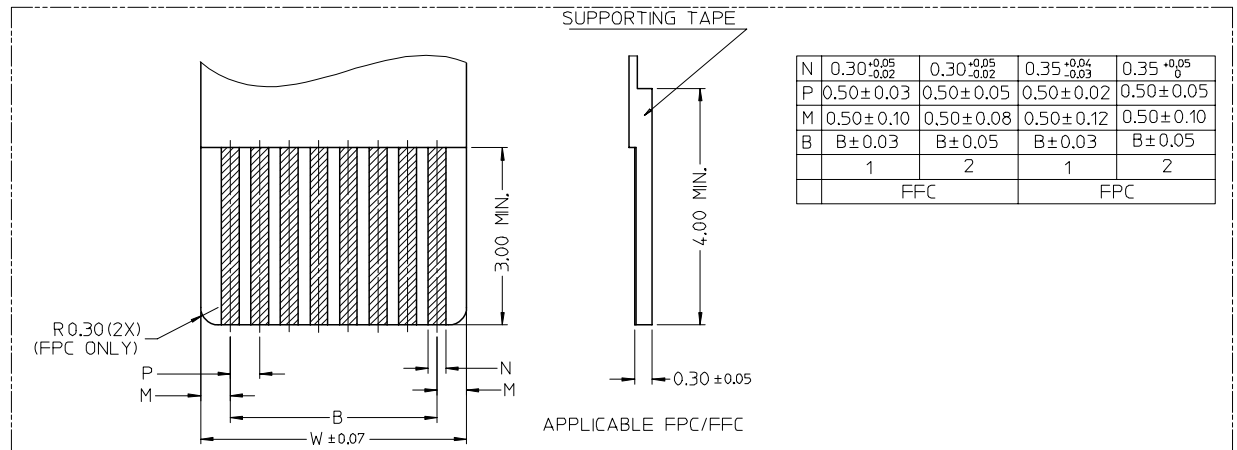
C

B

A



RECOMMENDED PCB LAYOUT



| | | | | |
|---|--|--|--|--------------------------------------|
| N | 0.30 ^{+0.05} / _{-0.02} | 0.30 ^{+0.05} / _{-0.02} | 0.35 ^{+0.04} / _{-0.03} | 0.35 ^{+0.05} / ₀ |
| P | 0.50 ± 0.03 | 0.50 ± 0.05 | 0.50 ± 0.02 | 0.50 ± 0.05 |
| M | 0.50 ± 0.10 | 0.50 ± 0.08 | 0.50 ± 0.12 | 0.50 ± 0.10 |
| B | B ± 0.03 | B ± 0.05 | B ± 0.03 | B ± 0.05 |
| | 1 | 2 | 1 | 2 |
| | FFC | | FPC | |

| | | |
|---------|-------------------|------------|
| REVISED | EC NO: S2007-0721 | 2007/03/05 |
| | DRWN: BOKOK | 2007/03/05 |
| | CHKD: CGOH | 2007/03/05 |
| | APPR: KCLING | 2007/03/05 |
| A1 | | |

| | |
|-----------------|-------------|
| QUALITY SYMBOLS | DESCRIPTION |
| ▽=0 | |
| ∇=0 | |

| | |
|--|--------|
| GENERAL TOLERANCES (UNLESS SPECIFIED) | |
| | mm |
| 4 PLACES | ± --- |
| 3 PLACES | ± --- |
| 2 PLACES | ± 0.15 |
| 1 PLACE | ± --- |
| ANGULAR ± 3 ° | |
| DRAFT WHERE APPLICABLE MUST REMAIN WITHIN DIMENSIONS | |

| | |
|-----------------|------------|
| DIMENSION STYLE | |
| MM ONLY | |
| DRAWN BY | DATE |
| YLQ1A0 | 2006/05/05 |
| CHECKED BY | DATE |
| BOKOK | 2006/06/06 |
| APPROVED BY | DATE |
| PTL IM | 2006/06/06 |
| MATERIAL NO. | |
| SEE TABLE | |
| SIZE | A3 |

| | | |
|---|--------------|------------------------|
| SCALE | DESIGN UNITS | THIRD ANGLE PROJECTION |
| NTS | METRIC | |
| TITLE | | |
| 0.50MM PITCH, FPC CONN. NON-ZIF, SMT | | |
| MOLEX INCORPORATED | | SHEET NO. |
| SD-78127-001 | | 2 OF 7 |
| THIS DRAWING CONTAINS INFORMATION THAT IS PROPRIETARY TO MOLEX INCORPORATED AND SHOULD NOT BE USED WITHOUT WRITTEN PERMISSION | | |

9 8 7 6 5 4 3 2 1

GOLD PLATING TERMINAL ASSEMBLY PART NUMBERS

| ASSY P/N W/O PACKAGING | CKT | DIM A | DIM B | DIM C | DIM D | PLATING TYPE |
|---------------------------|-----|-------|-------|-------|-------|-----------------|
| 78127-0068 | 6 | 5.10 | 2.50 | 4.40 | 3.60 | 1 |
| 78127-0078 | 7 | 5.60 | 3.00 | 4.90 | 4.10 | |
| 78127-0088 | 8 | 6.10 | 3.50 | 5.40 | 4.60 | |
| 78127-0098 | 9 | 6.60 | 4.00 | 5.90 | 5.10 | |
| 78127-0108 | 10 | 7.10 | 4.50 | 6.40 | 5.60 | |
| 78127-0118 | 11 | 7.60 | 5.00 | 6.90 | 6.10 | |
| 78127-0128 | 12 | 8.10 | 5.50 | 7.40 | 6.60 | |
| 78127-0138 | 13 | 8.60 | 6.00 | 7.90 | 7.10 | |
| 78127-0148 | 14 | 9.10 | 6.50 | 8.40 | 7.60 | |
| 78127-0158 | 15 | 9.60 | 7.00 | 8.90 | 8.10 | |
| 78127-0168 | 16 | 10.10 | 7.50 | 9.40 | 8.60 | |
| 78127-0178 | 17 | 10.60 | 8.00 | 9.90 | 9.10 | |
| 78127-0188 | 18 | 11.10 | 8.50 | 10.40 | 9.60 | |
| 78127-0198 | 19 | 11.60 | 9.00 | 10.90 | 10.10 | |
| 78127-0208 | 20 | 12.10 | 9.50 | 11.40 | 10.60 | |
| 78127-0218 | 21 | 12.60 | 10.00 | 11.90 | 11.10 | |
| 78127-0228 | 22 | 13.10 | 10.50 | 12.40 | 11.60 | |
| 78127-0238 | 23 | 13.60 | 11.00 | 12.90 | 12.10 | |
| 78127-0248 | 24 | 14.10 | 11.50 | 13.40 | 12.60 | |
| 78127-0258 | 25 | 14.60 | 12.00 | 13.90 | 13.10 | |
| 78127-0268 | 26 | 15.10 | 12.50 | 14.40 | 13.60 | |
| 78127-0278 | 27 | 15.60 | 13.00 | 14.90 | 14.10 | |
| 78127-0288 | 28 | 16.10 | 13.50 | 15.40 | 14.60 | |
| 78127-0298 | 29 | 16.60 | 14.00 | 15.90 | 15.10 | |
| 78127-0308 | 30 | 17.10 | 14.50 | 16.40 | 15.60 | |

| ASSY P/N W/O PACKAGING | CKT | DIM A | DIM B | DIM C | DIM D | PLATING TYPE |
|---------------------------|-----|-------|-------|-------|-------|-----------------|
| 78127-0318 | 31 | 17.60 | 15.00 | 16.90 | 16.10 | 1 |
| 78127-0328 | 32 | 18.10 | 15.50 | 17.40 | 16.60 | |
| 78127-0338 | 33 | 18.60 | 16.00 | 17.90 | 17.10 | |
| 78127-0348 | 34 | 19.10 | 16.50 | 18.40 | 17.60 | |
| 78127-0358 | 35 | 19.60 | 17.00 | 18.90 | 18.10 | |
| 78127-0368 | 36 | 20.10 | 17.50 | 19.40 | 18.60 | |
| 78127-0378 | 37 | 20.60 | 18.00 | 19.90 | 19.10 | |
| 78127-0388 | 38 | 21.10 | 18.50 | 20.40 | 19.60 | |
| 78127-0398 | 39 | 21.60 | 19.00 | 20.90 | 20.10 | |
| 78127-0408 | 40 | 22.10 | 19.50 | 21.40 | 20.60 | |
| 78127-0418 | 41 | 22.60 | 20.00 | 21.90 | 21.10 | |
| 78127-0428 | 42 | 23.10 | 20.50 | 22.40 | 21.60 | |

| | | | | | | |
|---|---------------------------------------|--|--|---|--|------------------------|
| REVISED EC NO: S2007-0721 DRWN: BOKOK CHKD: CGOH APPR: KCLING 2007/03/05 2007/03/05 2007/03/05 | QUALITY SYMBOLS | GENERAL TOLERANCES (UNLESS SPECIFIED) | DIMENSION STYLE | SCALE | DESIGN UNITS | THIRD ANGLE PROJECTION |
| | $\nabla = 0$ $\sphericalangle = 0$ | mm INCH 4 PLACES ± --- ± --- 3 PLACES ± --- ± --- 2 PLACES ± 0.15 ± --- 1 PLACE ± --- ± --- ANGULAR ± 3° | MM ONLY | NTS METRIC | TITLE 0.50MM PITCH, FPC CONN. NON-ZIF, SMT | MOLEX INCORPORATED |
| | DESCRIPTION REV | DRAFT WHERE APPLICABLE MUST REMAIN WITHIN DIMENSIONS | DRAWN BY YLQ1A0 CHECKED BY BOKOK APPROVED BY PTL IM | DATE 2006/05/05 DATE 2006/06/06 DATE 2006/06/06 | DOCUMENT NO. SD-78127-001 | SHEET NO. 3 OF 7 |
| | A1 | SIZE A3 | SEE TABLE | THIS DRAWING CONTAINS INFORMATION THAT IS PROPRIETARY TO MOLEX INCORPORATED AND SHOULD NOT BE USED WITHOUT WRITTEN PERMISSION | | |

10 9 8 7 6 5 4 3 2 1

F

F

TIN-BISMUTH PLATING TERMINAL ASSEMBLY PART NUMBERS

| ASSY P/N W/O PACKAGING | CKT | DIM A | DIM B | DIM C | DIM D | PLATING TYPE |
|---------------------------|-----|-------|-------|-------|-------|-----------------|
| 78127-0069 | 6 | 5.10 | 2.50 | 4.40 | 3.60 | 2 |
| 78127-0079 | 7 | 5.60 | 3.00 | 4.90 | 4.10 | |
| 78127-0089 | 8 | 6.10 | 3.50 | 5.40 | 4.60 | |
| 78127-0099 | 9 | 6.60 | 4.00 | 5.90 | 5.10 | |
| 78127-0109 | 10 | 7.10 | 4.50 | 6.40 | 5.60 | |
| 78127-0119 | 11 | 7.60 | 5.00 | 6.90 | 6.10 | |
| 78127-0129 | 12 | 8.10 | 5.50 | 7.40 | 6.60 | |
| 78127-0139 | 13 | 8.60 | 6.00 | 7.90 | 7.10 | |
| 78127-0149 | 14 | 9.10 | 6.50 | 8.40 | 7.60 | |
| 78127-0159 | 15 | 9.60 | 7.00 | 8.90 | 8.10 | |
| 78127-0169 | 16 | 10.10 | 7.50 | 9.40 | 8.60 | |
| 78127-0179 | 17 | 10.60 | 8.00 | 9.90 | 9.10 | |
| 78127-0189 | 18 | 11.10 | 8.50 | 10.40 | 9.60 | |
| 78127-0199 | 19 | 11.60 | 9.00 | 10.90 | 10.10 | |
| 78127-0209 | 20 | 12.10 | 9.50 | 11.40 | 10.60 | |
| 78127-0219 | 21 | 12.60 | 10.00 | 11.90 | 11.10 | |
| 78127-0229 | 22 | 13.10 | 10.50 | 12.40 | 11.60 | |
| 78127-0239 | 23 | 13.60 | 11.00 | 12.90 | 12.10 | |
| 78127-0249 | 24 | 14.10 | 11.50 | 13.40 | 12.60 | |
| 78127-0259 | 25 | 14.60 | 12.00 | 13.90 | 13.10 | |
| 78127-0269 | 26 | 15.10 | 12.50 | 14.40 | 13.60 | |
| 78127-0279 | 27 | 15.60 | 13.00 | 14.90 | 14.10 | |
| 78127-0289 | 28 | 16.10 | 13.50 | 15.40 | 14.60 | |
| 78127-0299 | 29 | 16.60 | 14.00 | 15.90 | 15.10 | |
| 78127-0309 | 30 | 17.10 | 14.50 | 16.40 | 15.60 | |

| ASSY P/N W/O PACKAGING | CKT | DIM A | DIM B | DIM C | DIM D | PLATING TYPE |
|---------------------------|-----|-------|-------|-------|-------|-----------------|
| 78127-0319 | 31 | 17.60 | 15.00 | 16.90 | 16.10 | 2 |
| 78127-0329 | 32 | 18.10 | 15.50 | 17.40 | 16.60 | |
| 78127-0339 | 33 | 18.60 | 16.00 | 17.90 | 17.10 | |
| 78127-0349 | 34 | 19.10 | 16.50 | 18.40 | 17.60 | |
| 78127-0359 | 35 | 19.60 | 17.00 | 18.90 | 18.10 | |
| 78127-0369 | 36 | 20.10 | 17.50 | 19.40 | 18.60 | |
| 78127-0379 | 37 | 20.60 | 18.00 | 19.90 | 19.10 | |
| 78127-0389 | 38 | 21.10 | 18.50 | 20.40 | 19.60 | |
| 78127-0399 | 39 | 21.60 | 19.00 | 20.90 | 20.10 | |
| 78127-0409 | 40 | 22.10 | 19.50 | 21.40 | 20.60 | |
| 78127-0419 | 41 | 22.60 | 20.00 | 21.90 | 21.10 | |
| 78127-0429 | 42 | 23.10 | 20.50 | 22.40 | 21.60 | |

E

E

D

D

C

C

B

B

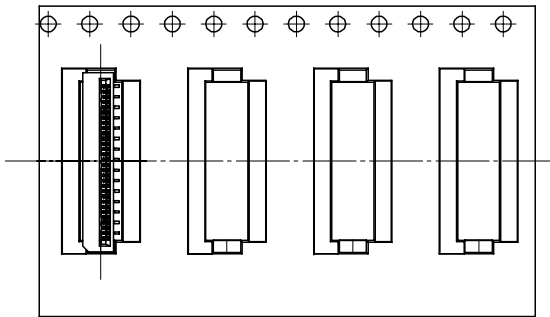
A

A

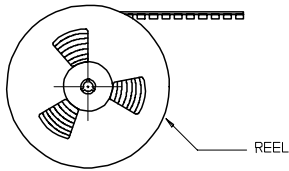
| | | | | | | |
|---|---------------------------------|---|--|------------------|--------------------------------------|------------------------|
| REVISED EC NO: S2007-0721 DRWN: BOKOK CHKD: CGOH APPR: KCLING 2007/03/05 2007/03/05 2007/03/05 | QUALITY SYMBOLS | GENERAL TOLERANCES (UNLESS SPECIFIED) | DIMENSION STYLE | SCALE | DESIGN UNITS | THIRD ANGLE PROJECTION |
| | $\nabla = 0$ $\triangle = 0$ | mm INCH 4 PLACES ± --- ± --- 3 PLACES ± --- ± --- 2 PLACES ± 0.15 ± --- 1 PLACE ± --- ± --- ANGULAR ± 3 ° | MM ONLY | NTS | METRIC | |
| | DESCRIPTION | DRAFT WHERE APPLICABLE MUST REMAIN WITHIN DIMENSIONS | DRAWN BY DATE YLQ1A0 2006/05/05 CHECKED BY DATE BOKOK 2006/06/06 APPROVED BY DATE PTL IM 2006/06/06 | TITLE | 0.50MM PITCH, FPC CONN. NON-ZIF, SMT | |
| | REV | SIZE | MATERIAL NO. | DOCUMENT NO. | MOLEX INCORPORATED | |
| A1 | A3 | SEE TABLE | SD-78127-001 | SHEET NO. 4 OF 7 | | |

9 8 7 6 5 4 3 2 1

EMBOSSED TYPE A



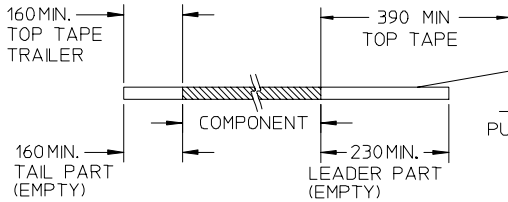
CUSTOMER
PULL OUT DIRECTION



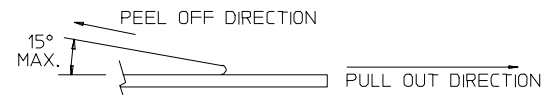
REEL

NOTES:

1. LEADER AND TRAILER TAPE



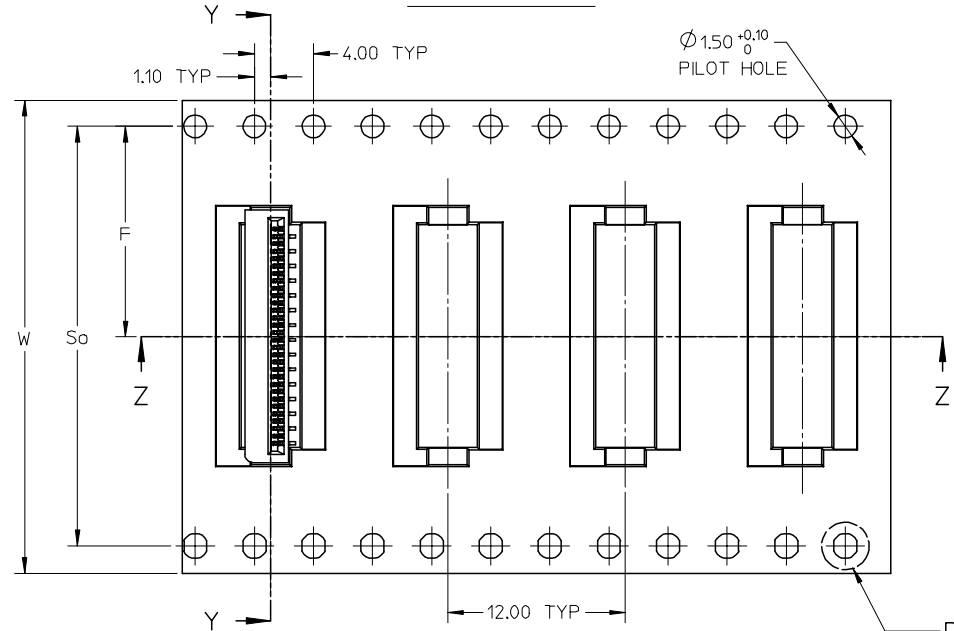
2. PEELING OFF FORCE OF THE TOP TAPE: 20-80gf.
(PEELING DIRECTION AS SHOWN IN FOLLOWING FIGURE)



3. PACKAGING STANDARD IS AS PER EIA-481.

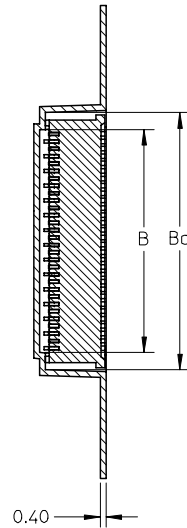
4. TAPE & REEL QUANTITY = 1000 PCS/REEL

EMBOSSED TYPE B

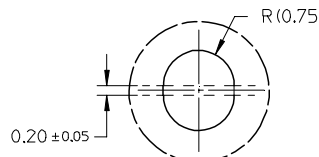


$\phi 1.50^{+0.10}_0$
PILOT HOLE

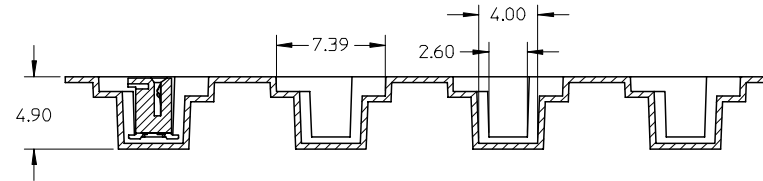
DETAIL 1



SECTION Y-Y



DETAIL 1



SECTION Z-Z

| | | |
|-------------------|-----------------|-------------|
| REVISED | QUALITY SYMBOLS | DESCRIPTION |
| EC NO: S2007-0721 | ▽=0 | |
| 2007/03/05 | ▽=0 | |
| DRWN:80K0K | | |
| 2007/03/05 | | |
| CHKD:CGH | | |
| 2007/03/05 | | |
| APPR:KCLING | | |
| 2007/03/05 | | |
| A1 | | |

| GENERAL TOLERANCES (UNLESS SPECIFIED) | |
|--|-------|
| mm | INCH |
| 4 PLACES ± --- | ± --- |
| 3 PLACES ± --- | ± --- |
| 2 PLACES ± 0.15 | ± --- |
| 1 PLACE ± --- | ± --- |
| ANGULAR ± 3° | |
| DRAFT WHERE APPLICABLE MUST REMAIN WITHIN DIMENSIONS | |

| DIMENSION STYLE | |
|-----------------|------------|
| MM ONLY | |
| DRAWN BY | DATE |
| YLQ1A0 | 2006/05/05 |
| CHECKED BY | DATE |
| BOKOK | 2006/06/06 |
| APPROVED BY | DATE |
| PTL IM | 2006/06/06 |
| MATERIAL NO. | |
| SEE TABLE | |
| SIZE | |
| A3 | |

| SCALE | DESIGN UNITS | THIRD ANGLE PROJECTION | |
|---|--------------|--------------------------------------|--|
| NTS | METRIC | | |
| TITLE | | 0.50MM PITCH, FPC CONN. NON-ZIF, SMT | |
| MOLEX INCORPORATED | | | |
| DOCUMENT NO. | | SHEET NO. | |
| SD-78127-001 | | 5 OF 7 | |
| THIS DRAWING CONTAINS INFORMATION THAT IS PROPRIETARY TO MOLEX INCORPORATED AND SHOULD NOT BE USED WITHOUT WRITTEN PERMISSION | | | |

10 9 8 7 6 5 4 3 2 1

GOLD PLATING TERMINAL ASSEMBLY PART NUMBERS

| ASSY P/N PACKED IN T&R | ASSY P/N W/O PACKAGING | CKT | W | So | F | Bo | B | EMBOSSED TYPE |
|---------------------------|---------------------------|-----|-------|-------|-------|-------|-------|------------------|
| 78127-1068 | 78127-0068 | 6 | 24.00 | - | 11.50 | 5.40 | 3.10 | A |
| 78127-1078 | 78127-0078 | 7 | 24.00 | - | 11.50 | 5.90 | 3.60 | |
| 78127-1088 | 78127-0088 | 8 | 24.00 | - | 11.50 | 6.40 | 4.10 | |
| 78127-1098 | 78127-0098 | 9 | 24.00 | - | 11.50 | 6.90 | 4.60 | |
| 78127-1108 | 78127-0108 | 10 | 24.00 | - | 11.50 | 7.40 | 5.10 | |
| 78127-1118 | 78127-0118 | 11 | 24.00 | - | 11.50 | 7.90 | 5.60 | |
| 78127-1128 | 78127-0128 | 12 | 24.00 | - | 11.50 | 8.40 | 6.10 | |
| 78127-1138 | 78127-0138 | 13 | 24.00 | - | 11.50 | 8.90 | 6.60 | |
| 78127-1148 | 78127-0148 | 14 | 24.00 | - | 11.50 | 9.40 | 7.10 | |
| 78127-1158 | 78127-0158 | 15 | 24.00 | - | 11.50 | 9.90 | 7.60 | |
| 78127-1168 | 78127-0168 | 16 | 24.00 | - | 11.50 | 10.40 | 8.10 | |
| 78127-1178 | 78127-0178 | 17 | 24.00 | - | 11.50 | 10.90 | 8.60 | |
| 78127-1188 | 78127-0188 | 18 | 24.00 | - | 11.50 | 11.40 | 9.10 | |
| 78127-1198 | 78127-0198 | 19 | 24.00 | - | 11.50 | 11.90 | 9.60 | |
| 78127-1208 | 78127-0208 | 20 | 24.00 | - | 11.50 | 12.40 | 10.10 | |
| 78127-1218 | 78127-0218 | 21 | 32.00 | 28.40 | 14.20 | 12.90 | 10.60 | B |
| 78127-1228 | 78127-0228 | 22 | 32.00 | 28.40 | 14.20 | 13.40 | 11.10 | |
| 78127-1238 | 78127-0238 | 23 | 32.00 | 28.40 | 14.20 | 13.90 | 11.60 | |
| 78127-1248 | 78127-0248 | 24 | 32.00 | 28.40 | 14.20 | 14.40 | 12.10 | |
| 78127-1258 | 78127-0258 | 25 | 32.00 | 28.40 | 14.20 | 14.90 | 12.60 | |
| 78127-1268 | 78127-0268 | 26 | 32.00 | 28.40 | 14.20 | 15.40 | 13.10 | |
| 78127-1278 | 78127-0278 | 27 | 32.00 | 28.40 | 14.20 | 15.90 | 13.60 | |
| 78127-1288 | 78127-0288 | 28 | 32.00 | 28.40 | 14.20 | 16.40 | 14.10 | |
| 78127-1298 | 78127-0298 | 29 | 32.00 | 28.40 | 14.20 | 16.90 | 14.60 | |
| 78127-1308 | 78127-0308 | 30 | 32.00 | 28.40 | 14.20 | 17.40 | 15.10 | |

| ASSY P/N PACKED IN T&R | ASSY P/N W/O PACKAGING | CKT | W | So | F | Bo | B | EMBOSSED TYPE |
|---------------------------|---------------------------|-----|-------|-------|-------|-------|-------|------------------|
| 78127-1318 | 78127-0318 | 31 | 32.00 | 28.40 | 14.20 | 17.90 | 15.60 | B |
| 78127-1328 | 78127-0328 | 32 | 32.00 | 28.40 | 14.20 | 18.40 | 16.10 | |
| 78127-1338 | 78127-0338 | 33 | 32.00 | 28.40 | 14.20 | 18.90 | 16.60 | |
| 78127-1348 | 78127-0348 | 34 | 32.00 | 28.40 | 14.20 | 19.40 | 17.10 | |
| 78127-1358 | 78127-0358 | 35 | 32.00 | 28.40 | 14.20 | 19.90 | 17.60 | |
| 78127-1368 | 78127-0368 | 36 | 32.00 | 28.40 | 14.20 | 20.40 | 18.10 | |
| 78127-1378 | 78127-0378 | 37 | 32.00 | 28.40 | 14.20 | 20.90 | 18.60 | |
| 78127-1388 | 78127-0388 | 38 | 32.00 | 28.40 | 14.20 | 21.40 | 19.10 | |
| 78127-1398 | 78127-0398 | 39 | 44.00 | 40.40 | 20.20 | 21.90 | 19.60 | |
| 78127-1408 | 78127-0408 | 40 | 44.00 | 40.40 | 20.20 | 22.40 | 20.10 | |
| 78127-1418 | 78127-0418 | 41 | 44.00 | 40.40 | 20.20 | 22.90 | 20.60 | |
| 78127-1428 | 78127-0428 | 42 | 44.00 | 40.40 | 20.20 | 23.40 | 21.10 | |

| | | | | | | | | | | |
|---|----------------------------------|--|--|--|--|-------------------------------------|------------------------|--|--|--|
| REVISED EC NO: S2007-0721 DRWN: BOKOK CHKD: CGOH APPR: KCLING 2007/03/05 2007/03/05 2007/03/05 | QUALITY SYMBOLS ▽=0 ▽=0 | GENERAL TOLERANCES (UNLESS SPECIFIED) | | DIMENSION STYLE MM ONLY | | SCALE NTS | DESIGN UNITS METRIC | THIRD ANGLE PROJECTION | | |
| | | 4 PLACES ± --- ± --- 3 PLACES ± --- ± --- 2 PLACES ± 0.15 ± --- 1 PLACE ± --- ± --- | | mm INCH | | DRAWN BY DATE YLQ1A0 2006/05/05 | | TITLE 0.50MM PITCH, FPC CONN. NON-ZIF, SMT | | |
| | | ANGULAR ± 3 ° | | DRAFT WHERE APPLICABLE MUST REMAIN WITHIN DIMENSIONS | | CHECKED BY DATE BOKOK 2006/06/06 | | APPROVED BY DATE PTL IM 2006/06/06 | | |
| | | MATERIAL NO. | | SEE TABLE | | DOCUMENT NO. SD-78127-001 | | SHEET NO. 6 OF 7 | | |

9 8 7 6 5 4 3 2 1

10 9 8 7 6 5 4 3 2 1

TIN-BISMUTH PLATING TERMINAL ASSEMBLY PART NUMBERS

| ASSY P/N PACKED IN T&R | ASSY P/N W/O PACKAGING | CKT | W | So | F | Bo | B | EMBOSSED TYPE | ASSY P/N PACKED IN T&R | ASSY P/N W/O PACKAGING | CKT | W | So | F | Bo | B | EMBOSSED TYPE |
|---------------------------|---------------------------|-----|-------|-------|-------|-------|-------|------------------|---------------------------|---------------------------|-------|-------|-------|-------|-------|-------|------------------|
| 78127-1069 | 78127-0069 | 6 | 24.00 | - | 11.50 | 5.40 | 3.10 | A | 78127-1319 | 78127-0319 | 31 | 32.00 | 28.40 | 14.20 | 17.90 | 15.60 | B |
| 78127-1079 | 78127-0079 | 7 | 24.00 | - | 11.50 | 5.90 | 3.60 | | 78127-1329 | 78127-0329 | 32 | 32.00 | 28.40 | 14.20 | 18.40 | 16.10 | |
| 78127-1089 | 78127-0089 | 8 | 24.00 | - | 11.50 | 6.40 | 4.10 | | 78127-1339 | 78127-0339 | 33 | 32.00 | 28.40 | 14.20 | 18.90 | 16.60 | |
| 78127-1099 | 78127-0099 | 9 | 24.00 | - | 11.50 | 6.90 | 4.60 | | 78127-1349 | 78127-0349 | 34 | 32.00 | 28.40 | 14.20 | 19.40 | 17.10 | |
| 78127-1109 | 78127-0109 | 10 | 24.00 | - | 11.50 | 7.40 | 5.10 | | 78127-1359 | 78127-0359 | 35 | 32.00 | 28.40 | 14.20 | 19.90 | 17.60 | |
| 78127-1119 | 78127-0119 | 11 | 24.00 | - | 11.50 | 7.90 | 5.60 | | 78127-1369 | 78127-0369 | 36 | 32.00 | 28.40 | 14.20 | 20.40 | 18.10 | |
| 78127-1129 | 78127-0129 | 12 | 24.00 | - | 11.50 | 8.40 | 6.10 | | 78127-1379 | 78127-0379 | 37 | 32.00 | 28.40 | 14.20 | 20.90 | 18.60 | |
| 78127-1139 | 78127-0139 | 13 | 24.00 | - | 11.50 | 8.90 | 6.60 | | 78127-1389 | 78127-0389 | 38 | 32.00 | 28.40 | 14.20 | 21.40 | 19.10 | |
| 78127-1149 | 78127-0149 | 14 | 24.00 | - | 11.50 | 9.40 | 7.10 | | 78127-1399 | 78127-0399 | 39 | 44.00 | 40.40 | 20.20 | 21.90 | 19.60 | |
| 78127-1159 | 78127-0159 | 15 | 24.00 | - | 11.50 | 9.90 | 7.60 | | 78127-1409 | 78127-0409 | 40 | 44.00 | 40.40 | 20.20 | 22.40 | 20.10 | |
| 78127-1169 | 78127-0169 | 16 | 24.00 | - | 11.50 | 10.40 | 8.10 | 78127-1419 | 78127-0419 | 41 | 44.00 | 40.40 | 20.20 | 22.90 | 20.60 | | |
| 78127-1179 | 78127-0179 | 17 | 24.00 | - | 11.50 | 10.90 | 8.60 | 78127-1429 | 78127-0429 | 42 | 44.00 | 40.40 | 20.20 | 23.40 | 21.10 | | |
| 78127-1189 | 78127-0189 | 18 | 24.00 | - | 11.50 | 11.40 | 9.10 | | | | | | | | | | |
| 78127-1199 | 78127-0199 | 19 | 24.00 | - | 11.50 | 11.90 | 9.60 | | | | | | | | | | |
| 78127-1209 | 78127-0209 | 20 | 24.00 | - | 11.50 | 12.40 | 10.10 | | | | | | | | | | |
| 78127-1219 | 78127-0219 | 21 | 32.00 | 28.40 | 14.20 | 12.90 | 10.60 | | | | | | | | | | |
| 78127-1229 | 78127-0229 | 22 | 32.00 | 28.40 | 14.20 | 13.40 | 11.10 | | | | | | | | | | |
| 78127-1239 | 78127-0239 | 23 | 32.00 | 28.40 | 14.20 | 13.90 | 11.60 | | | | | | | | | | |
| 78127-1249 | 78127-0249 | 24 | 32.00 | 28.40 | 14.20 | 14.40 | 12.10 | | | | | | | | | | |
| 78127-1259 | 78127-0259 | 25 | 32.00 | 28.40 | 14.20 | 14.90 | 12.60 | | | | | | | | | | |
| 78127-1269 | 78127-0269 | 26 | 32.00 | 28.40 | 14.20 | 15.40 | 13.10 | | | | | | | | | | |
| 78127-1279 | 78127-0279 | 27 | 32.00 | 28.40 | 14.20 | 15.90 | 13.60 | | | | | | | | | | |
| 78127-1289 | 78127-0289 | 28 | 32.00 | 28.40 | 14.20 | 16.40 | 14.10 | | | | | | | | | | |
| 78127-1299 | 78127-0299 | 29 | 32.00 | 28.40 | 14.20 | 16.90 | 14.60 | | | | | | | | | | |
| 78127-1309 | 78127-0309 | 30 | 32.00 | 28.40 | 14.20 | 17.40 | 15.10 | | | | | | | | | | |

| | | | | | | | | | | |
|---|----------------------------------|--|---------|--|--------------------|--|------------------------------|--|--|--|
| REVISED EC NO: S2007-0721 DRWN: BOKOK CHKD: CGOH APPR: KCLING 2007/03/05 2007/03/05 2007/03/05 | QUALITY SYMBOLS ▽=0 ▽=0 | GENERAL TOLERANCES (UNLESS SPECIFIED) | | DIMENSION STYLE MM ONLY | | SCALE NTS | DESIGN UNITS METRIC | THIRD ANGLE PROJECTION | | |
| | | 4 PLACES ± --- ± --- | mm INCH | DRAWN BY YLQ1A0 | DATE 2006/05/05 | TITLE 0.50MM PITCH, FPC CONN. NON-ZIF, SMT | | | | |
| | | 3 PLACES ± --- ± --- | | CHECKED BY BOKOK | DATE 2006/06/06 | MOLEX INCORPORATED | | | | |
| | | 2 PLACES ± 0.15 ± --- | | APPROVED BY PTL IM | DATE 2006/06/06 | MATERIAL NO. | DOCUMENT NO. SD-78127-001 | SHEET NO. 7 OF 7 | | |
| 1 PLACE ± --- ± --- | | ANGULAR ± 3 ° | | DRAFT WHERE APPLICABLE MUST REMAIN WITHIN DIMENSIONS | | SEE TABLE | | THIS DRAWING CONTAINS INFORMATION THAT IS PROPRIETARY TO MOLEX INCORPORATED AND SHOULD NOT BE USED WITHOUT WRITTEN PERMISSION | | |
| A1 | REV | | | | | | | | | |

9 8 7 6 5 4 3 2 1