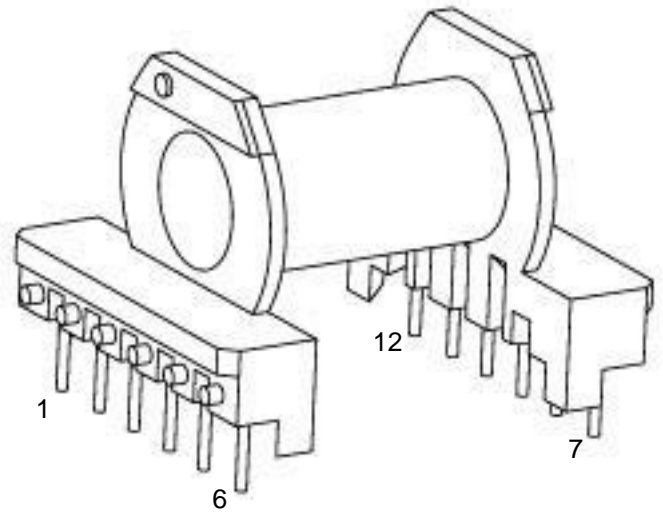
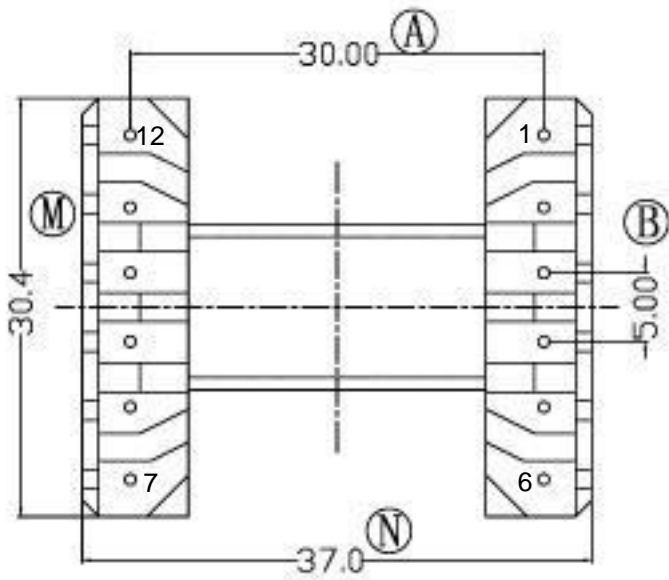
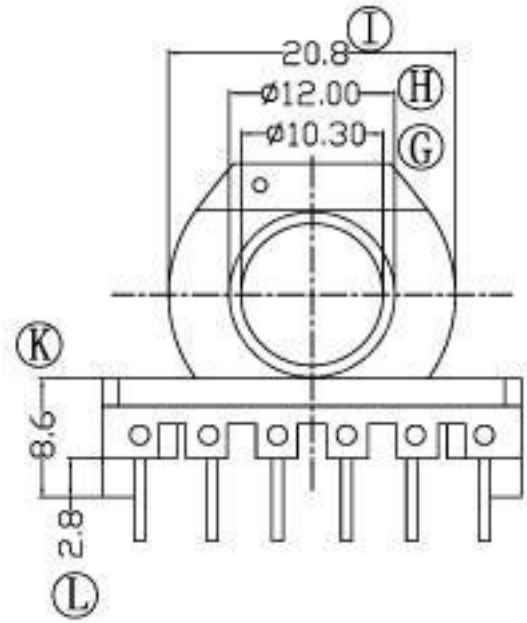
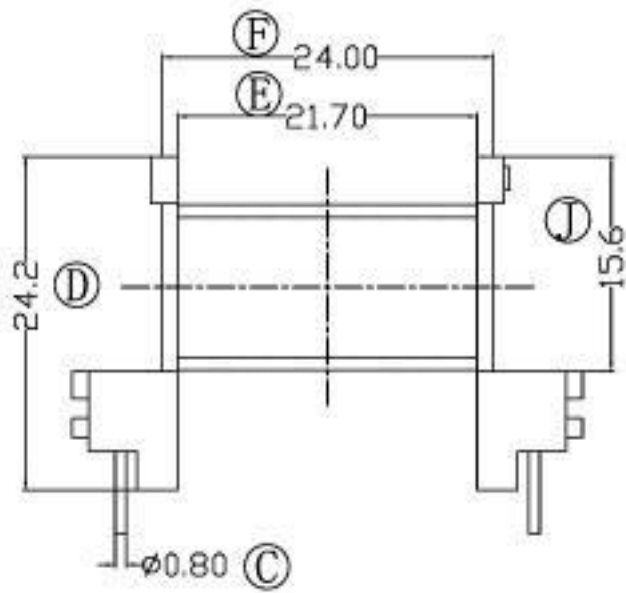
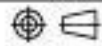


# FERYSTER



TOLERANCE		MODEL NAME: <b>ERL-28-K-H-12P</b>	
X. X	$\pm 0.3$	BOBBIN MATERIAL: PHENOLIC	
X. XX	$\pm 0.2$	SCALE: 2:1	SCALE: UL 94V-0
壁厚:	$\pm 0.15$	 SCALE: M/M	
PINPITCH	$\pm 0.2$		